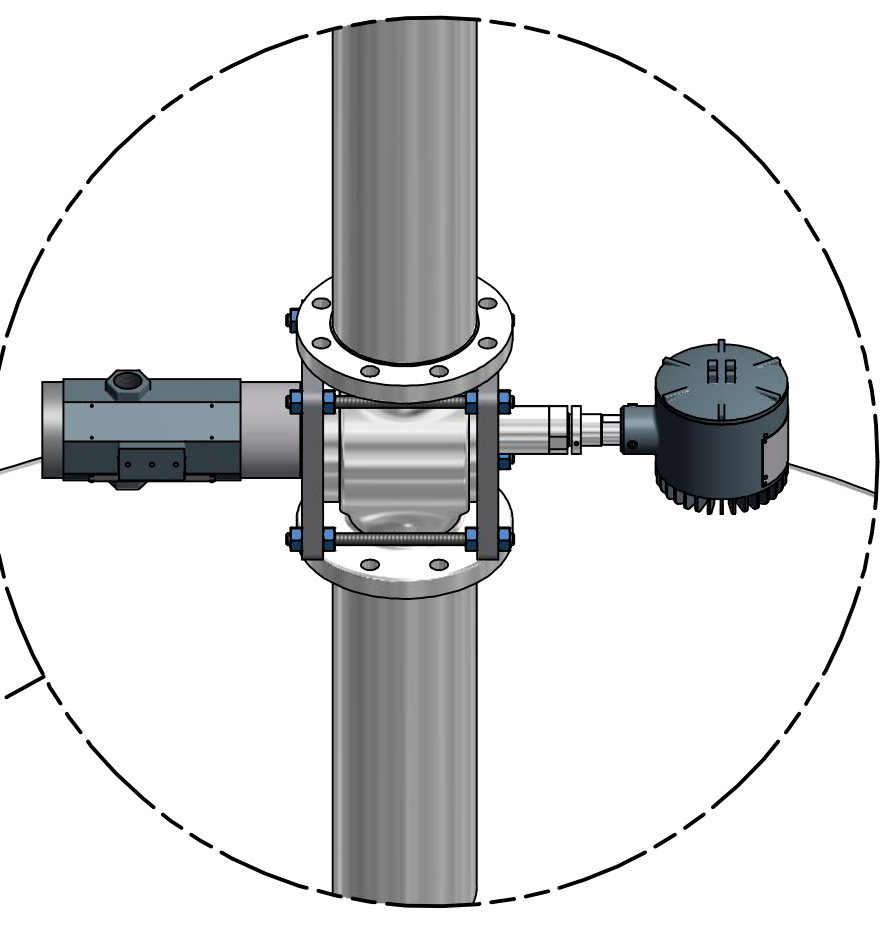
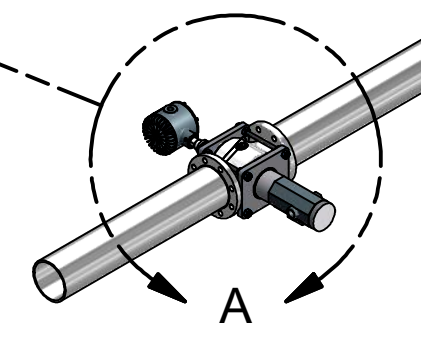
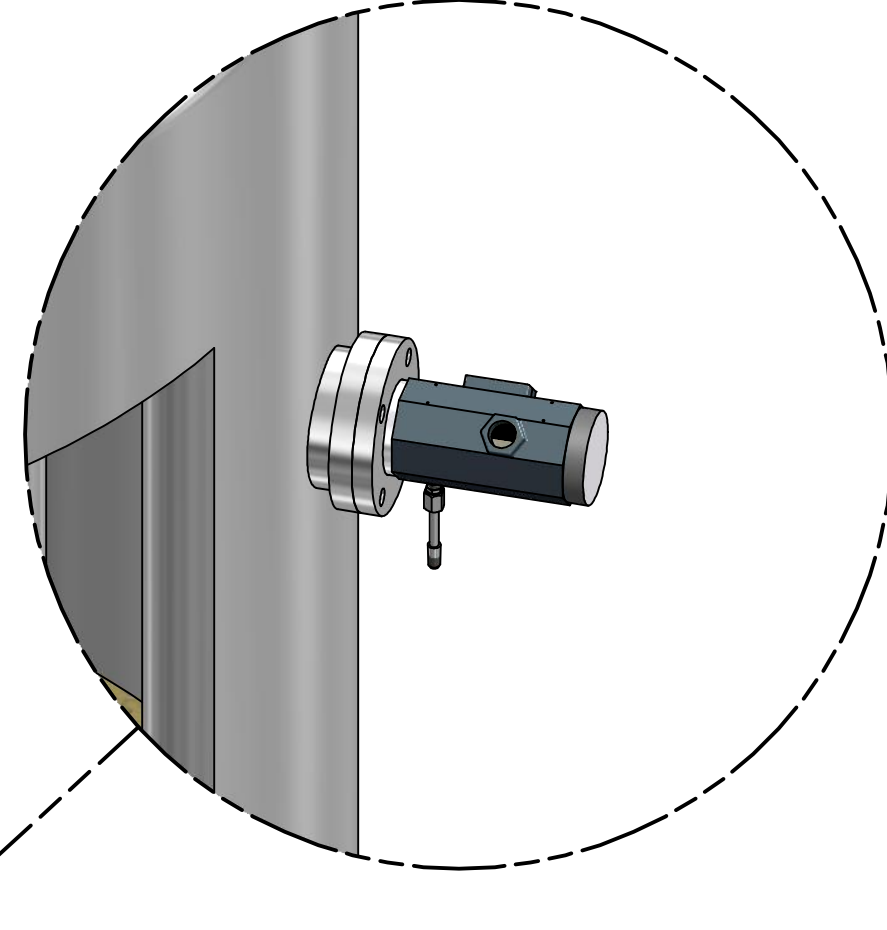


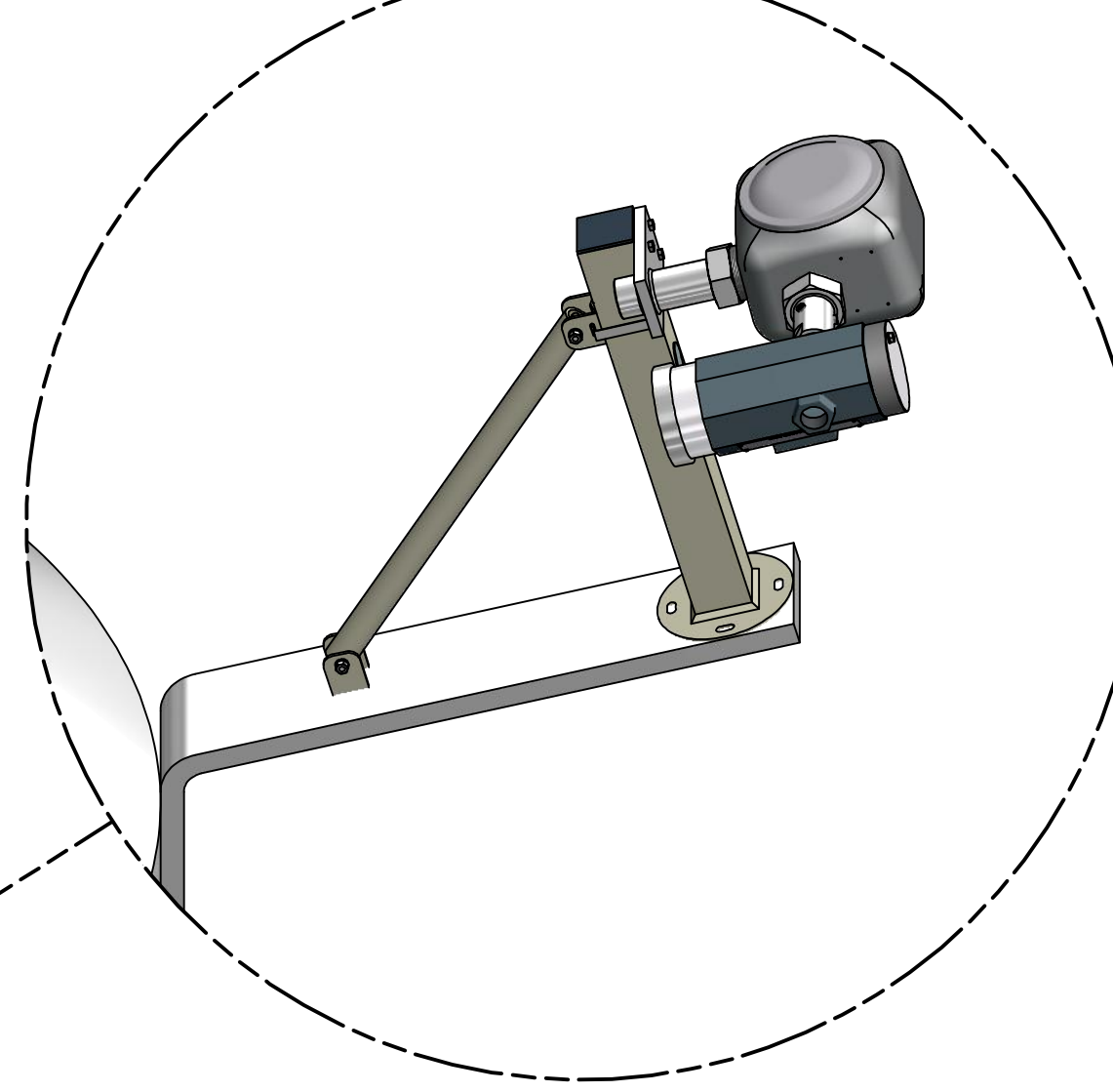
DETAIL A
SCALE 1/8



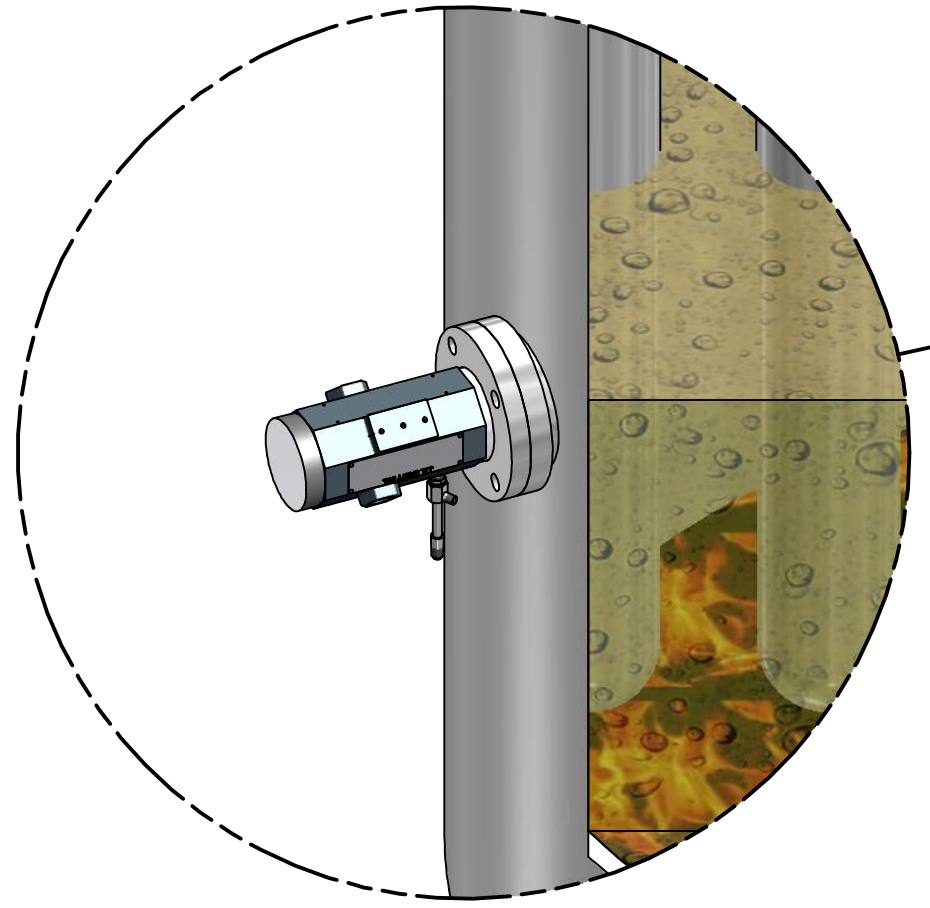
DETAIL B
SCALE 1/8



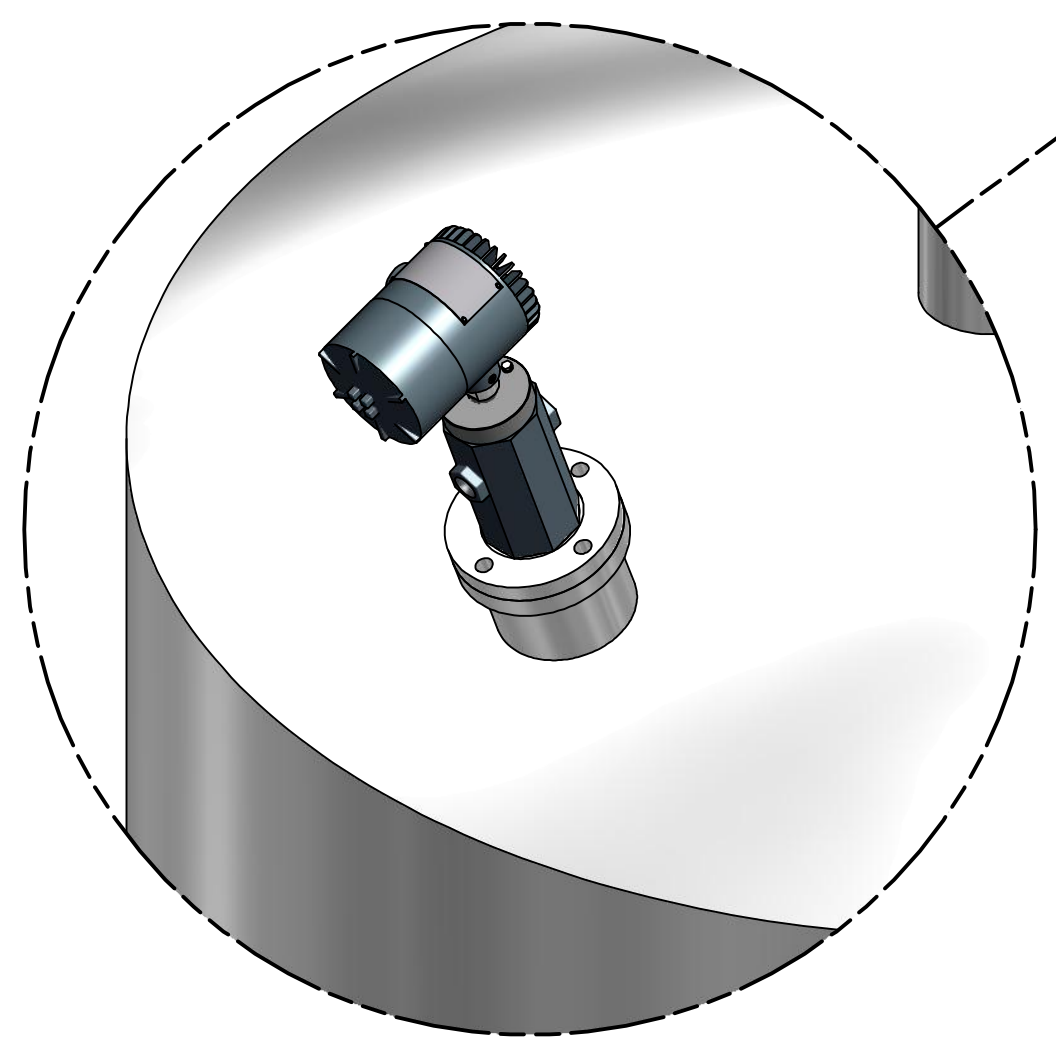
DETAIL C
SCALE 1/8



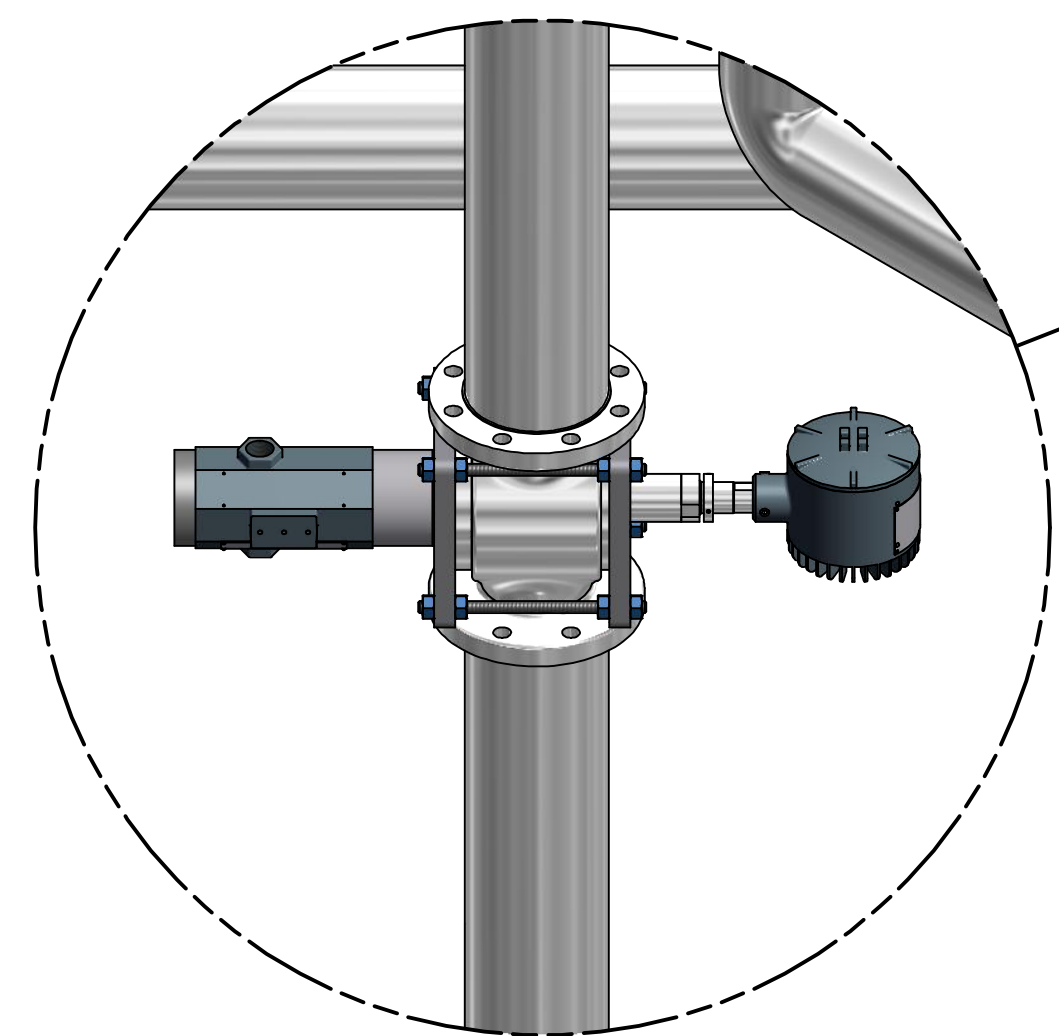
DETAIL D
SCALE 1/8



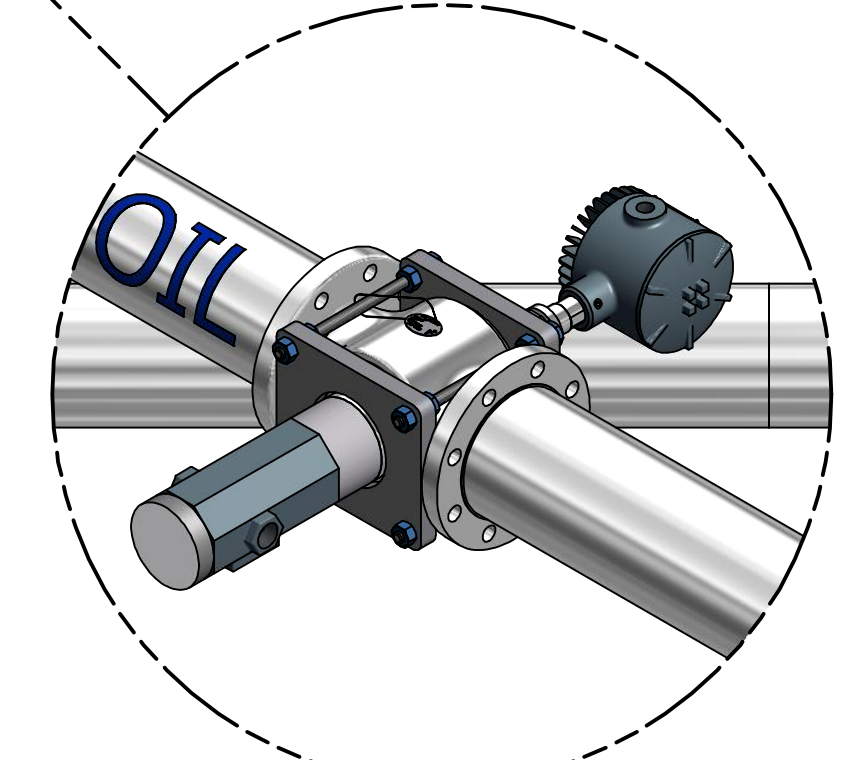
DETAIL K
SCALE 1/8



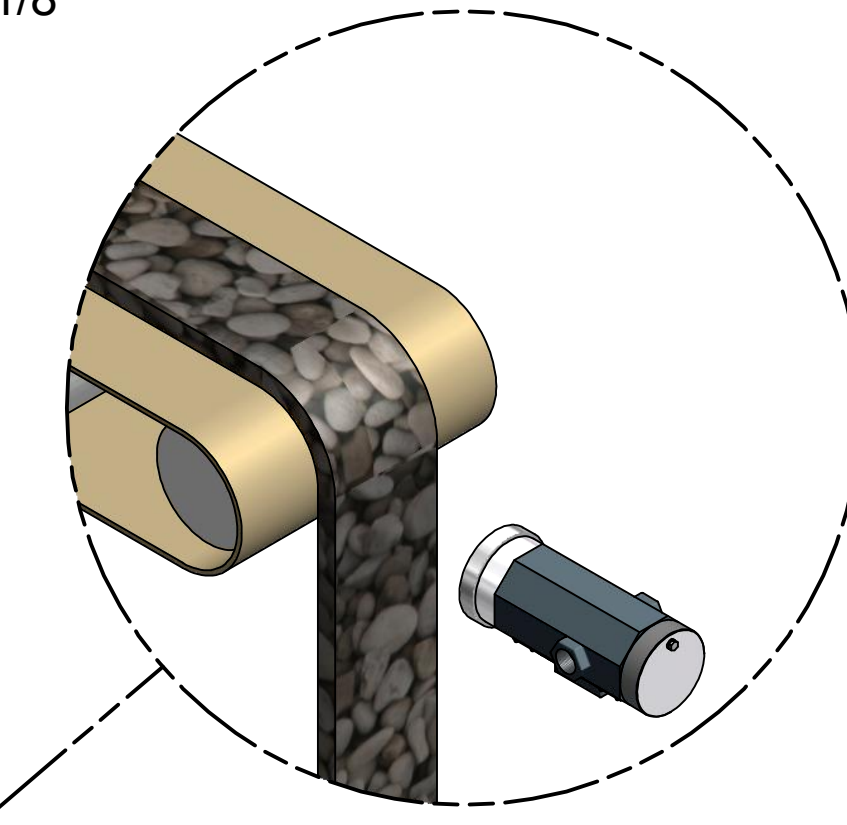
DETAIL J
SCALE 1/8



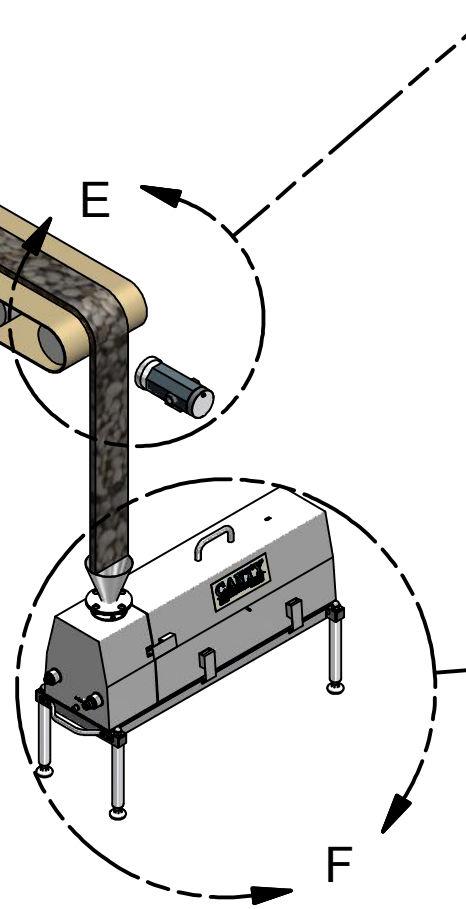
DETAIL H
SCALE 1/8



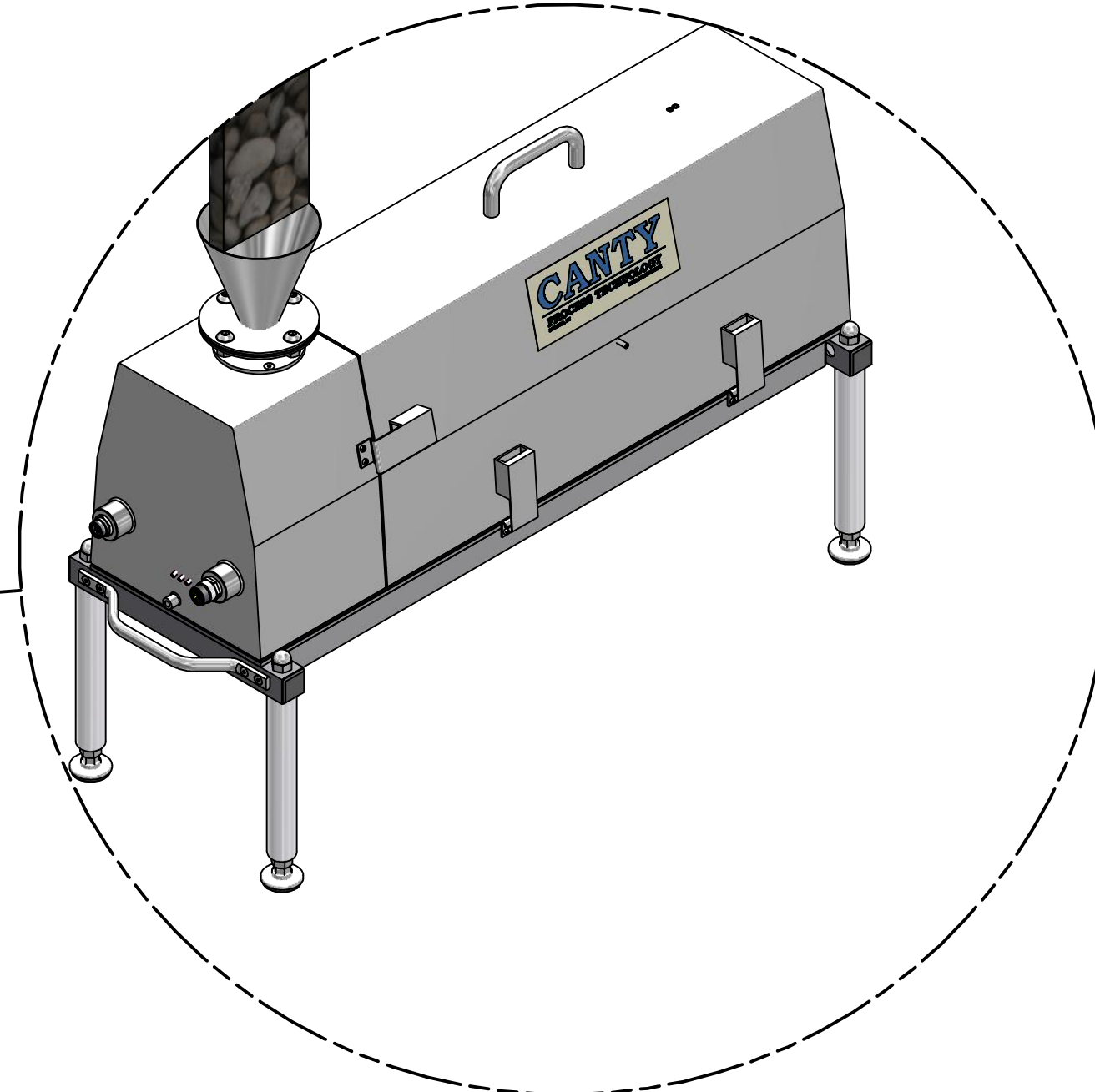
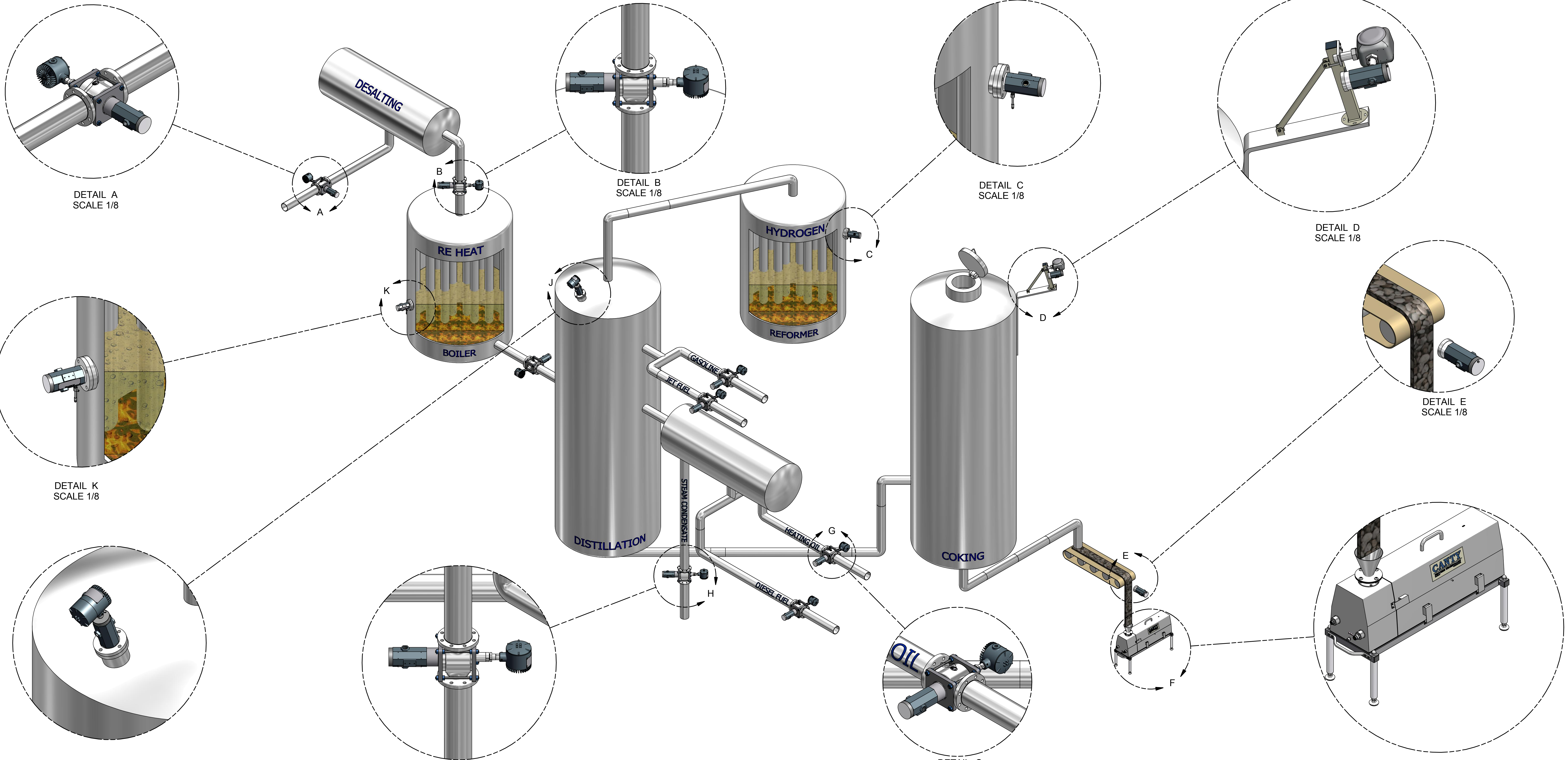
DETAIL G
SCALE 1/8



DETAIL E
SCALE 1/8



DETAIL F
SCALE 1/8



DETAIL F
SCALE 1/8