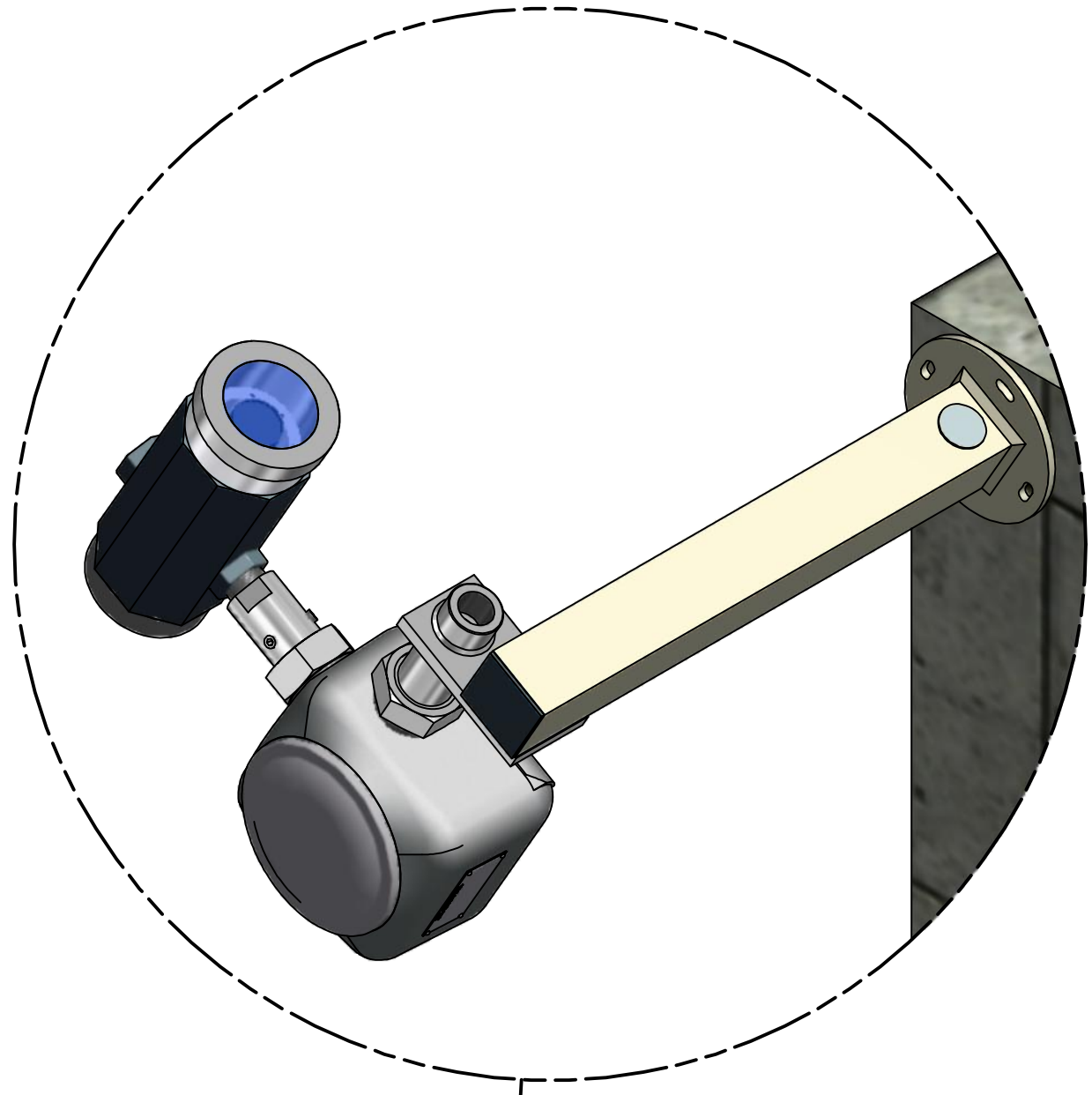
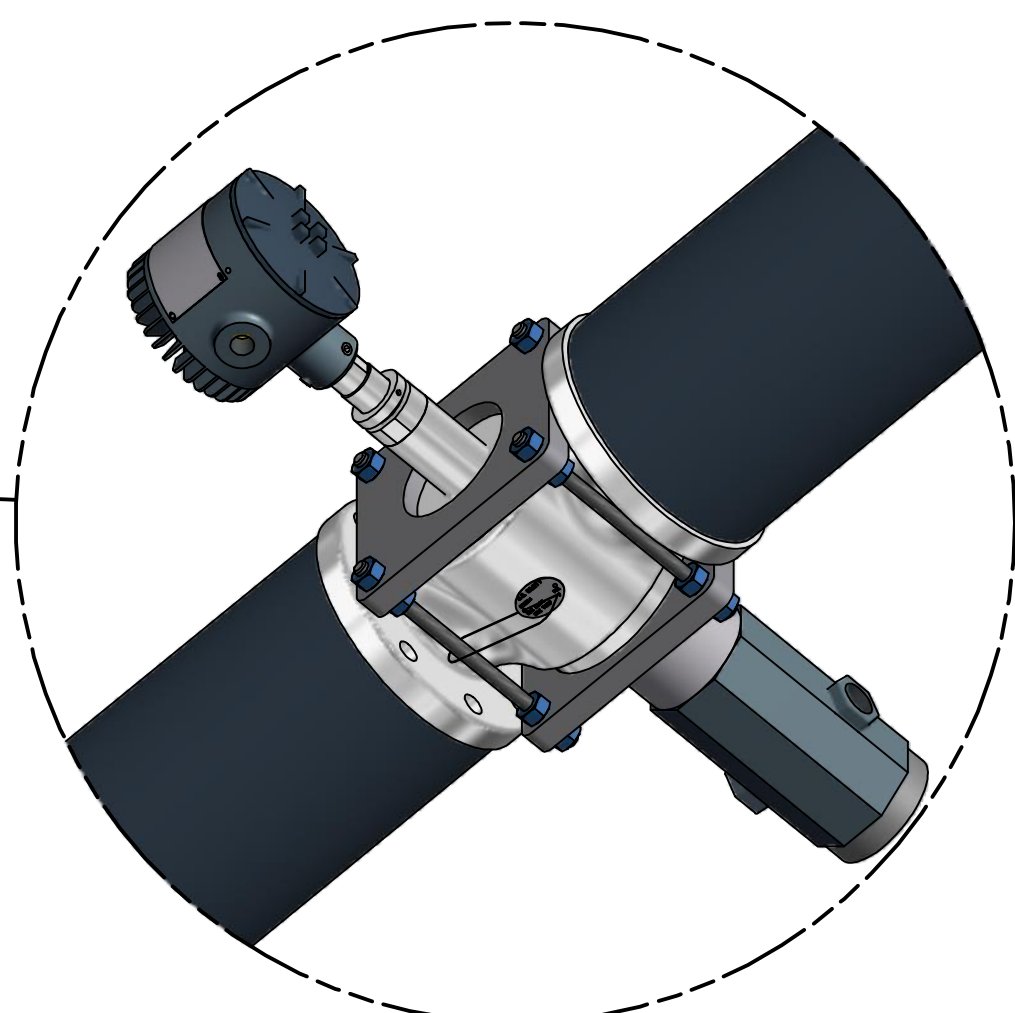
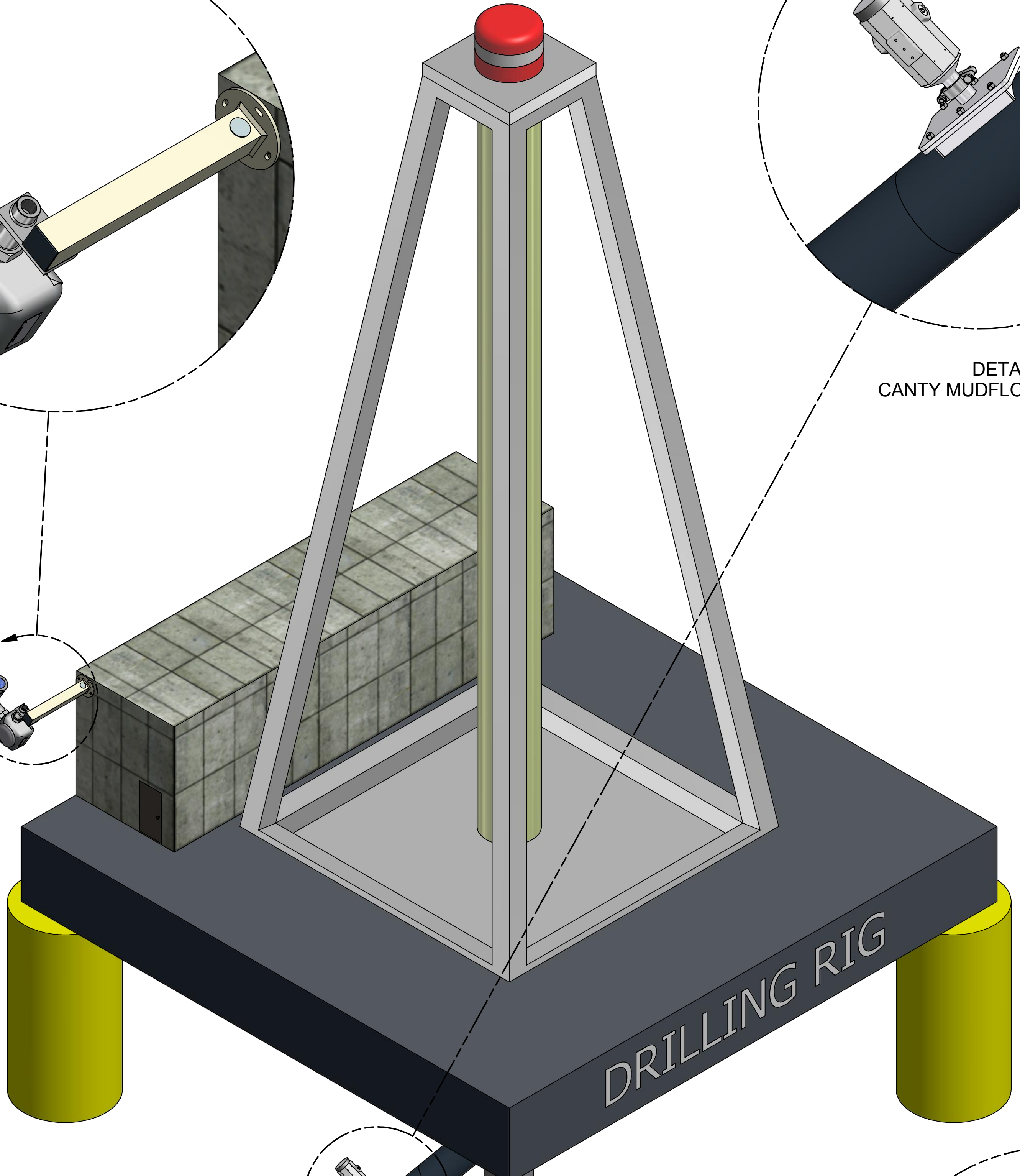
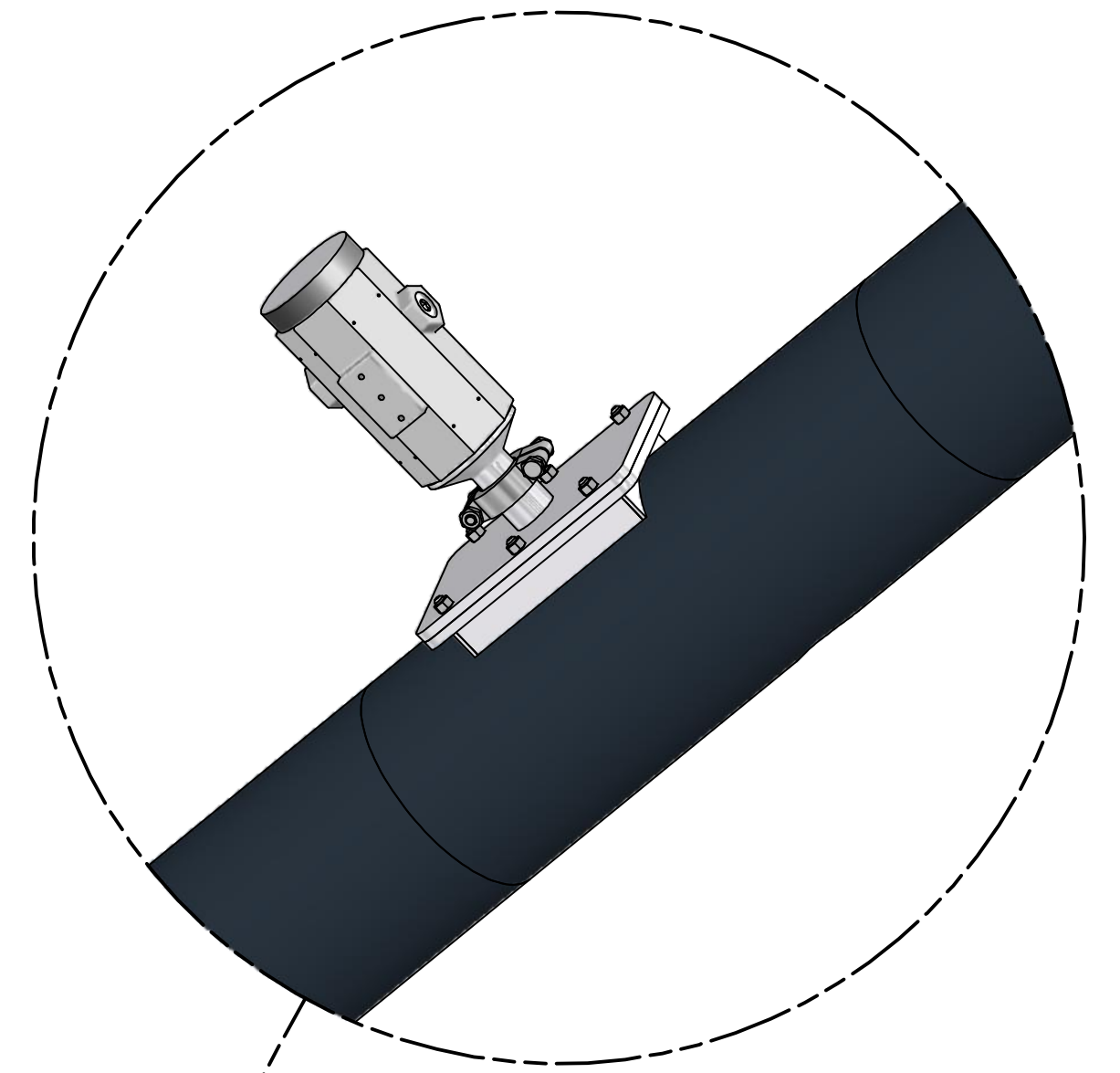


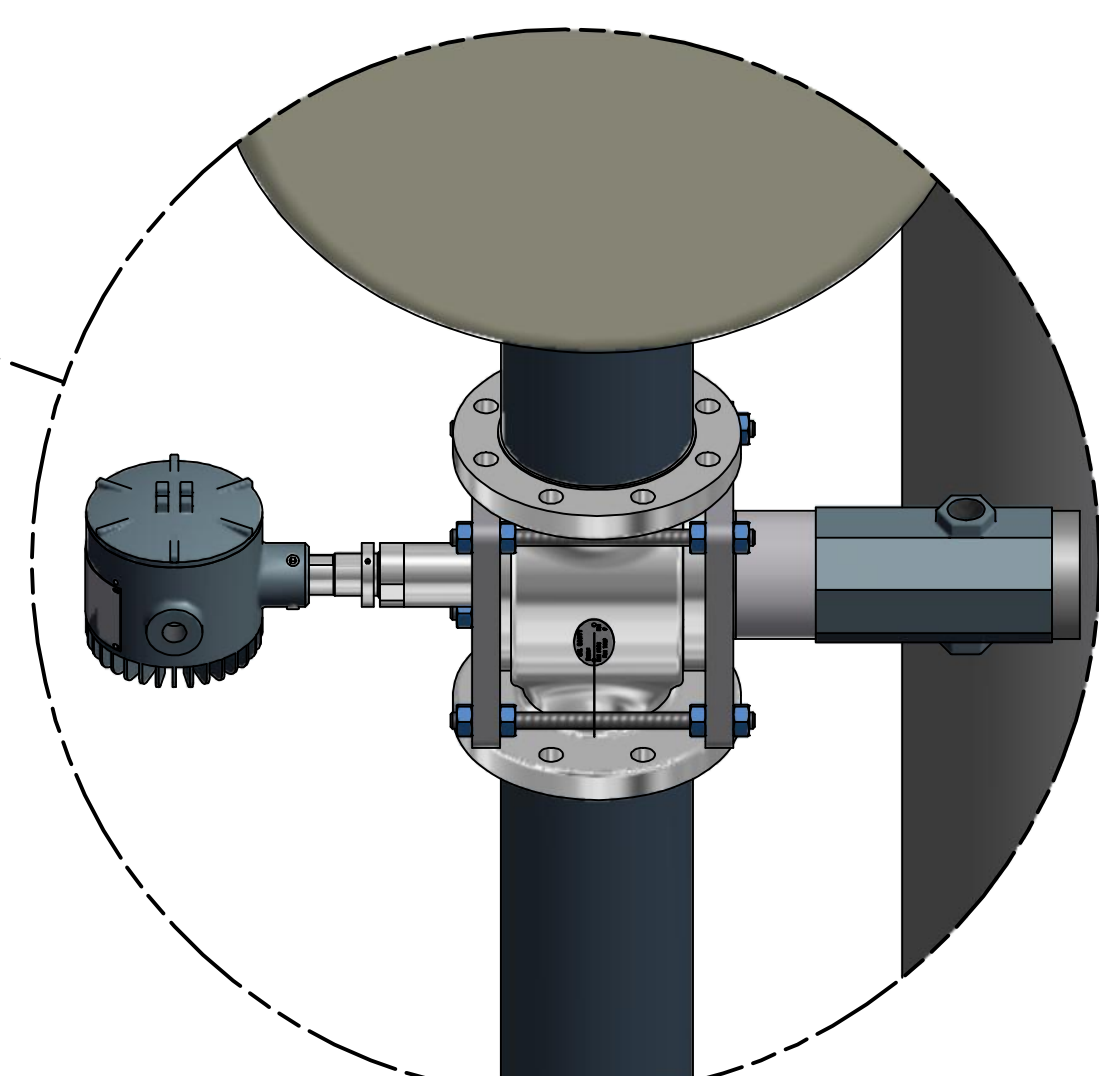
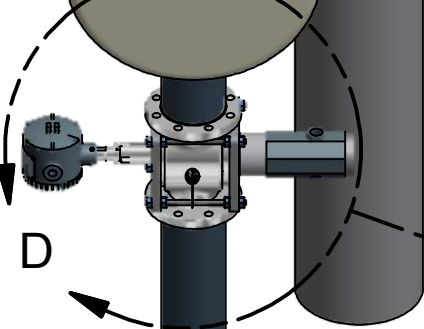
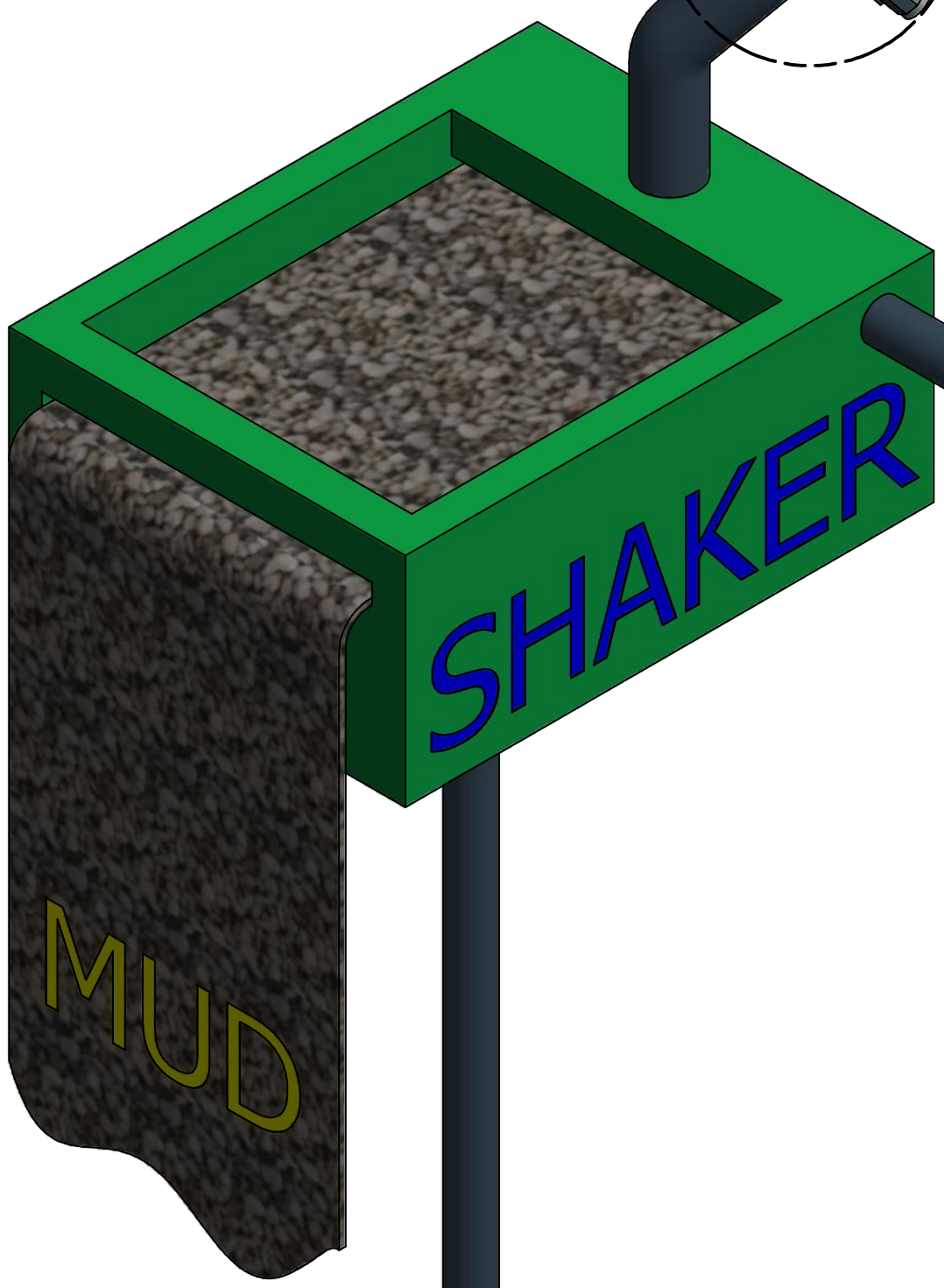
DETAIL A  
CANTY PAN & TILT  
INDUSTRIAL SURVEILLANCE



DETAIL B  
CANTY MUDFLOW DETECTION



DETAIL C  
CANTY PARTICLE ANALYSIS  
OF DRILLING MUD



DETAIL D  
CANTY PARTICLE ANALYSIS  
OF DRILLING MUD

# DRILLING