

AVAILABLE WP / EXP, IP / FP CAMERA & LIGHT COMBINATION SYSTEMS

OPTION KEY ↓

CAMERAS

B= B&W
 L= LOW LIGHT B&W
 C= COLOR
 I= INFRARED B&W
 E= ETHERNET

LENS VIEW ANGLES

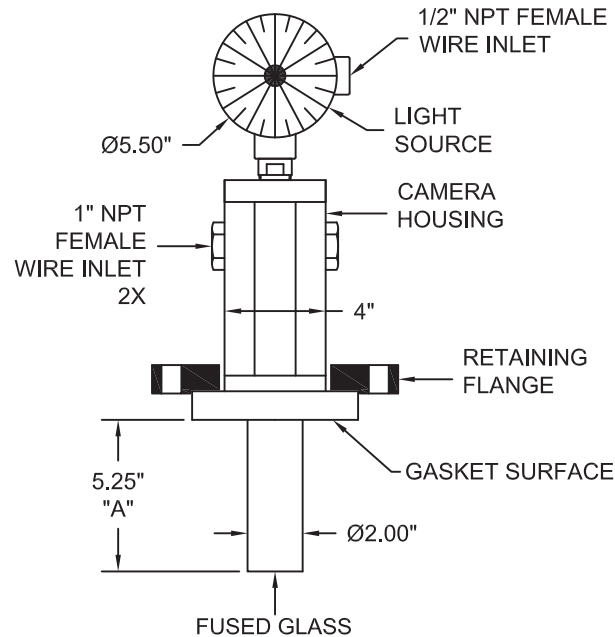
2= 56°(H) X 43°(V)
 3= 76°(H) X 62°(V)
 6= 41°(H) X 31°(V)

WETTED MATERIALS PRESS. / TEMP. RATING

B= S.S. 316L / RATED TO 400°F
 D= HASTELLOY® C276 / RATED TO 450°F
 E= HASTELLOY® C22® / RATED TO 450°F

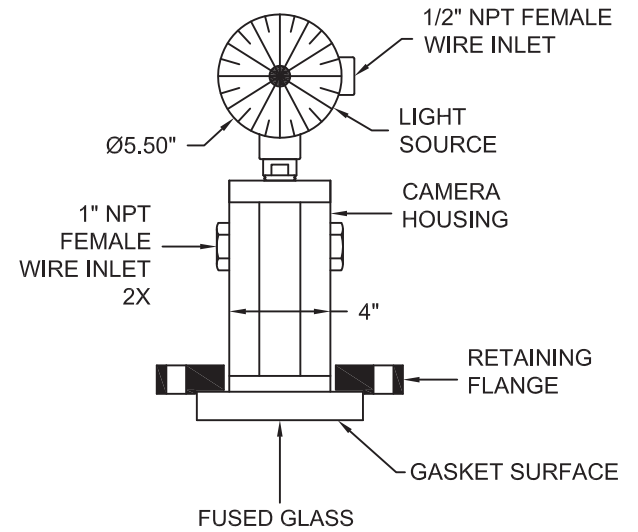
FLANGE MOUNT INSERTION

STANDARD FLANGE SIZES = 3" & 4" ANSI,
 80mm & 100mm DIN



FLANGE MOUNT

STANDARD FLANGE SIZES = 3" & 4" ANSI,
 80mm & 100mm DIN



AVAILABLE CAMERA / LENS TEAMS →

EXAMPLE:
 B/2= B&W CAMERA
 WITH A 56° X 43° LENS

B / 2 FIBER OPTIC BUNDLE
 L / 2 LIGHT TRANSMISSION
 C / 2
 I / 2
 E / 2

B / 2 SOLID LIGHT GUIDE
 B / 3 LIGHT TRANSMISSION

B / 6 FIBER OPTIC BUNDLE
 L / 6 LIGHT TRANSMISSION
 C / 6
 I / 6
 E / 6

AVAILABLE WETTED MATERIALS PRESS. / TEMP. RATING →

EXAMPLE:
 B= 316L S.S. ANSI RATED TO 400°F

B
 D
 E

B
 D
 E

NOTE: 1. ALL OF THE ABOVE VISION SYSTEMS ARE AVAILABLE WITH ANY CAMERA POWER SUPPLY AND LIGHT SOURCE. 2. HASTELLOY® AND C22® ARE REGISTERED TRADEMARKS OF HAYNES INTERNATIONAL INC. 3. TRI-CLAMP® IS A REGISTERED TRADEMARK OF ALFA LAVAL INC. 4. ABOVE INFORMATION SUBJECT TO CHANGE WITHOUT NOTICE.

CANTY
 WWW.JMCANTY.COM

REV. 6

94B5047