

# AVAILABLE WP / EXP, IP / FP VISION SYSTEMS

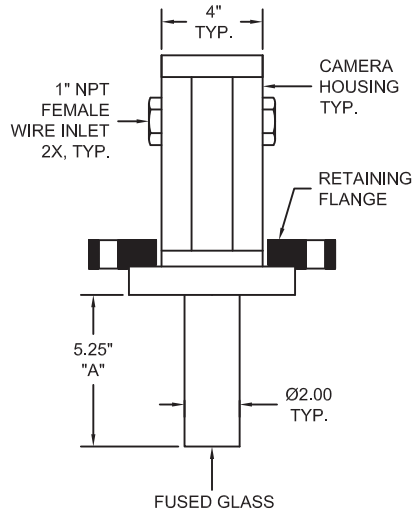
## OPTION KEY ↓

**CAMERAS**  
 B= B&W  
 L= LOW LIGHT B&W  
 C= COLOR  
 I= INFRARED B&W  
 E= ETHERNET

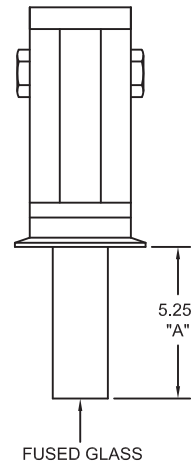
**LENS VIEW ANGLES**  
 2= 56°(H) X 43°(V)  
 3= 76°(H) X 62°(V)  
 6= 41°(H) X 31°(V)

**WETTED MATERIALS PRESS. / TEMP. RATING**  
 B= S.S. 316L / RATED TO 400°F  
 D= HASTELLOY® C276 / RATED TO 450°F  
 E= HASTELLOY® C22® / RATED TO 450°F

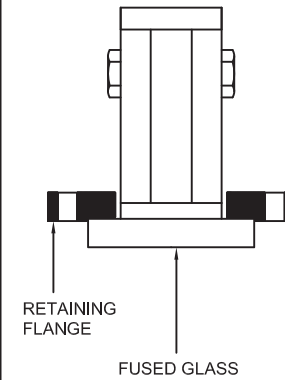
**FLANGE MOUNT INSERTION**  
 STANDARD FLANGE SIZES =  
 3" & 4" ANSI, 80mm & 100mm DIN



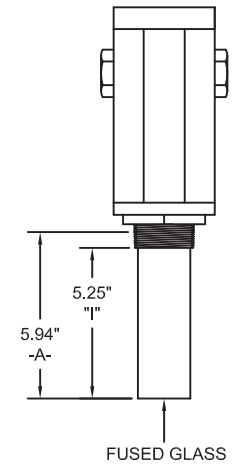
**TRI-CLAMP® MOUNT INSERTION**  
 STANDARD TRI-CLAMP®  
 SIZES = 3" & 4"



**FLANGE MOUNT**  
 STANDARD FLANGE  
 SIZES = 3" & 4" ANSI,  
 80mm & 100mm DIN



**NPT MOUNT INSERTION**  
 STANDARD NPT SIZE = 2"



## AVAILABLE CAMERA / LENS TEAMS →

EXAMPLE:  
 B/2= B&W CAMERA  
 WITH A 56° X 43° LENS

B / 2  
 L / 2  
 C / 2  
 I / 2  
 E / 2

B / 2  
 L / 2  
 C / 2  
 I / 2  
 E / 2

ALL CAMERAS AVAILABLE  
 WITH ANY OF THE VIEW  
 ANGLE LISTED

B / 2  
 L / 2  
 C / 2  
 I / 2  
 E / 2

## AVAILABLE WETTED MATERIALS PRESS. / TEMP. RATING →

EXAMPLE:  
 B= 316L S.S. ANSI RATED TO 400°F

B  
 D  
 E

B  
 D  
 E

B  
 D  
 E

B  
 D  
 E

NOTE: 1. ALL OF THE ABOVE VISION SYSTEMS ARE AVAILABLE WITH ANY CAMERA POWER SUPPLY. 2. HASTELLOY® AND C22® ARE REGISTERED TRADEMARKS OF HAYNES INTERNATIONAL INC. 3. TRI-CLAMP® IS A REGISTERED TRADEMARK OF ALFA LAVAL INC. 4. ABOVE INFORMATION SUBJECT TO CHANGE WITHOUT NOTICE.

**CANTY**  
 WWW.JMCANTY.COM

REV. 6

94B5048