

# AVAILABLE WP / EXP CAMERA & LIGHT COMBINATION VISION SYSTEMS

**OPTION KEY ↓**

CAMERAS

B= B&W  
 L= LOW LIGHT B&W  
 C= COLOR  
 I= INFRARED B&W  
 E= ETHERNET

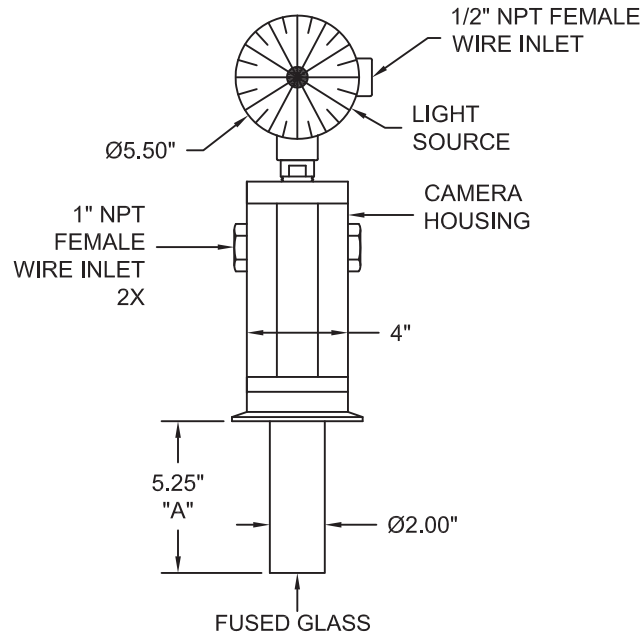
LENS VIEW ANGLES

2= 56°(H) X 43°(V)  
 3= 76°(H) X 62°(V)  
 6= 41°(H) X 31°(V)

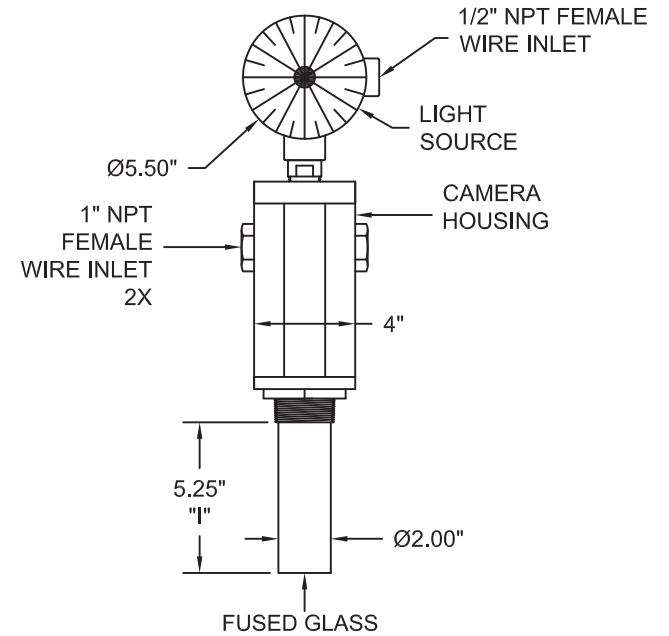
WETTED MATERIALS PRESS. / TEMP. RATING

B= 316L S.S. / RATED TO 400°F  
 D= HASTELLOY® C276 / RATED TO 450°F  
 E= HASTELLOY® C22® / RATED TO 450°F

TRI-CLAMP® MOUNT INSERTION  
 STANDARD TRI-CLAMP® SIZES = 3" & 4"



NPT MOUNT INSERTION  
 STANDARD NPT SIZE = 2"



AVAILABLE CAMERA / LENS TEAMS →

EXAMPLE:  
 B/2= B&W CAMERA  
 WITH A 56° X 43° LENS

B / 2  
 L / 2  
 C / 2  
 I / 2  
 E / 2

B / 2  
 L / 2  
 C / 2  
 I / 2  
 E / 2

AVAILABLE WETTED MATERIALS PRESS. / TEMP. RATING →

EXAMPLE:  
 B= 316L S.S. ANSI RATED TO 400°F

B  
 D  
 E

B  
 D  
 E

NOTE: 1. ALL OF THE ABOVE VISION SYSTEMS ARE AVAILABLE WITH ANY CAMERA POWER SUPPLY AND LIGHT SOURCE. 2. HASTELLOY® AND C22® ARE REGISTERED TRADEMARKS OF HAYNES INTERNATIONAL INC. 3. TRI-CLAMP® IS A REGISTERED TRADEMARK OF ALFA LAVAL INC. 4. ABOVE INFORMATION SUBJECT TO CHANGE WITHOUT NOTICE.