

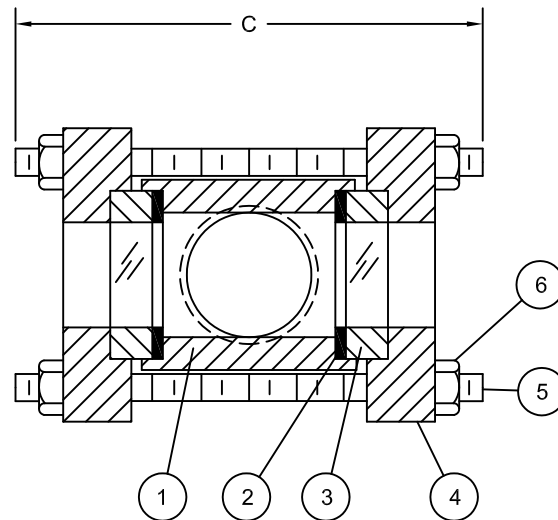
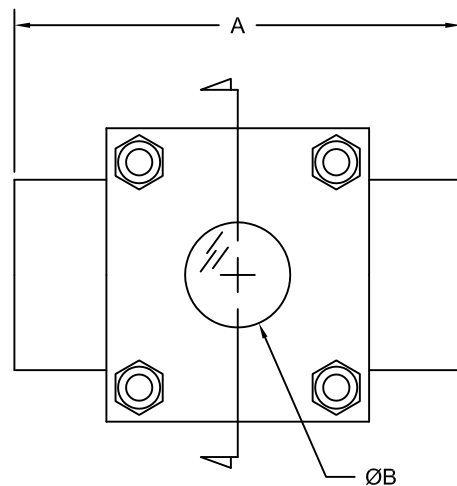
SIGHT FLOW THREADED & SOCKET WELD MODEL S100 P/N

| | | | | | | | | | | |
|----------|--|--|--|---|---|---|---|--|-------------|-------------------------------|
| F | MODEL / CONNECTION | PRESSURE & INDICATOR | | SIZE | BODY (WETTED) | FUSEVIEW™ (WETTED) | GASKET (WETTED) | RETAINER / STUD / NUT MATERIAL (NON-WETTED) | TEMP / DUAL | LIGHT / CAMERA TEE CONNECTION |
| | □ | □ | □ | □ | □ | □ | □ | □ | A | ∅ |
| | B = PIPE WELD C = NPT THREAD D = STRAIGHT THREAD | M = 150 psi [10 bar] STANDARD N = 150 psi [10 bar] FLAPPER O = 150 psi [10 bar] DRIP TUBE P = 150 psi [10 bar] ROTOR Q = 1000 psi [69 bar] STANDARD R = 1000 psi [69 bar] FLAPPER S = 1000 psi [69 bar] DRIP TUBE T = 1000 psi [69 bar] ROTOR | U = 2000 psi [138 bar] STANDARD V = 2000 psi [138 bar] FLAPPER W = 2000 psi [138 bar] DRIP TUBE X = 2000 psi [138 bar] ROTOR Y = 3000 psi [207 bar] STANDARD Z = 3000 psi [207 bar] FLAPPER 1 = 3000 psi [207 bar] DRIP TUBE 2 = 3000 psi [207 bar] ROTOR | M = .25" N = .38" O = .5" P = .75 Q = 1" R = 1.25" S = 1.5" T = 2" | A = CS B = SS D = C276 E = C-22® | A = CS B = SS D = C276 E = C-22® | 1 = B 2 = V 3 = STFG 4 = SR 5 = GF 6 = TG 7 = BG 8 = EPDM 9 = N | 1 = CARBON STEEL (STANDARD) 2 = STAINLESS STEEL | A = ↓ 450°F | ∅ = NONE |

| BILL OF MATERIALS | | | |
|-------------------|------|------------------|-------------------------------|
| NO. | QTY. | DESCRIPTION | MATERIAL |
| 1 | 1 | SIGHT FLOW BODY | C.S., S.S., C276, C-22® |
| 2 | 2 | GASKET / O-RING | SEE LEGEND FOR OPTIONS |
| 3 | 2 | FUSEVIEW™ WINDOW | C.S., S.S., C276, C-22® |
| 4 | 2 | RETAINING FLANGE | CARBON STEEL, STAINLESS STEEL |
| 5 | 4 | STUD | B7, B8 |
| 6 | 8 | NUT | 2H, B8 |

LEGEND
 CS = CARBON STEEL
 SS = 316L STAINLESS STEEL
 C276 = HASTELLOY® C276 OR EQUAL
 C-22® = HASTELLOY® C22® OR EQUAL
 B = BUNA
 V = VITON®
 STFG = SOFT TEFLON®
 SR = SILICONE RUBBER
 GF = GRAFOIL®
 TG = TAN GYLON®
 BG = BLUE GARLOCK® 3000
 EPDM = ETHYLENE PROPYLENE
 N = NEOPRENE

| PIPE WELD MODEL SPECIFICATIONS | | | | |
|--------------------------------|---------------|--------------|--|---|
| PIPE SIZE | A | ∅B | C 150 psi [10 bar] 1000 psi [69 bar] | C 2000 psi [138 bar] 3000 psi [207 bar] |
| 1/8" | 3.75" [95mm] | 1.13" [29mm] | 4.00" [102mm] | 5.75" [146mm] |
| 1/4" | 3.75" [95mm] | 1.13" [29mm] | 4.00" [102mm] | 5.75" [146mm] |
| 3/8" | 3.75" [95mm] | 1.13" [29mm] | 4.00" [102mm] | 5.75" [146mm] |
| 1/2" | 3.75" [95mm] | 1.13" [29mm] | 4.00" [102mm] | 5.75" [146mm] |
| 3/4" | 3.75" [95mm] | 1.13" [29mm] | 4.00" [102mm] | 5.75" [146mm] |
| 1" | 3.75" [95mm] | 1.13" [29mm] | 4.00" [102mm] | 5.75" [146mm] |
| 1-1/4" | 6.00" [152mm] | 1.50" [38mm] | 5.88" [149mm] | 7.13" [181mm] |
| 1-1/2" | 6.00" [152mm] | 1.50" [38mm] | 5.88" [149mm] | 7.13" [181mm] |
| 2" | 6.00" [152mm] | 2.00" [51mm] | 6.38" [162mm] | 7.63" [194mm] |



| NPT & STRAIGHT THREAD MODEL SPECIFICATIONS | | | | | | |
|--|----------------|-----------------|---------------|--------------|--|---|
| SIZE | NPT THREAD | STRAIGHT THREAD | A | ∅B | C 150 psi [10 bar] 1000 psi [69 bar] | C 2000 psi [138 bar] 3000 psi [207 bar] |
| 1/8" | 1/8-27 | 5/16-24 | 3.75" [95mm] | 1.13" [29mm] | 4.00" [102mm] | 5.75" [146mm] |
| 1/4" | 1/4-18 | 7/16-20 | 3.75" [95mm] | 1.13" [29mm] | 4.00" [102mm] | 5.75" [146mm] |
| 3/8" | 3/8-18 | 9/16-18 | 3.75" [95mm] | 1.13" [29mm] | 4.00" [102mm] | 5.75" [146mm] |
| 1/2" | 1/2-14 | 3/4-16 | 3.75" [95mm] | 1.13" [29mm] | 4.00" [102mm] | 5.75" [146mm] |
| 3/4" | 3/4-14 | 1-1/16 - 12 | 3.75" [95mm] | 1.13" [29mm] | 4.00" [102mm] | 5.75" [146mm] |
| 1" | 1 - 11-1/2 | 1-5/16 - 12 | 3.75" [95mm] | 1.13" [29mm] | 4.00" [102mm] | 5.75" [146mm] |
| 1-1/4" | 1-1/4 - 11-1/2 | 1-5/8 - 12 | 6.00" [152mm] | 1.50" [38mm] | 5.88" [149mm] | 7.13" [181mm] |
| 1-1/2" | 1-1/2 - 11-1/2 | 1-7/8 - 12 | 6.00" [152mm] | 1.50" [38mm] | 5.88" [149mm] | 7.13" [181mm] |
| 2" | 2 - 11-1/2 | 2-1/2 - 12 | 6.00" [152mm] | 2.00" [51mm] | 6.38" [162mm] | 7.63" [194mm] |

NOTE:

- FUSEVIEW™ WINDOWS ARE STANDARD ON ALL MODEL S100 SIGHT FLOWS.
- CARBON STEEL NON-WETTED IS STANDARD.
- TEMPERATURE LIMITED BY GASKET SELECTION, SEE 90B2432 FOR RATING.
- HASTELLOY® AND C-22® ARE REGISTERED TRADEMARKS OF HAYNES INTERNATIONAL, INC. TEFLON® AND VITON® ARE REGISTERED TRADEMARKS OF THE DUPONT CORPORATION. GYLON® AND GARLOCK® ARE REGISTERED TRADEMARKS OF THE GARLOCK CORPORATION. GRAFOIL® IS A REGISTERED TRADEMARK OF THE UNION CARBIDE CORPORATION.
- ALL INFORMATION IS SUBJECT TO CHANGE WITHOUT NOTICE.

| | | | | | | |
|---|--|--------------------------|---|------|---|-----------------------------|
| <p>NOTICE THIS DRAWING IS THE PROPERTY OF J.M. CANTY AND MUST BE RETURNED WITHOUT REPRODUCTION OR DUPLICATION, AT ANY TIME UPON REQUEST, BUT IN ANY EVENT AS SOON AS IT HAS SERVED THE PURPOSE FOR WHICH IT WAS FURNISHED. WHILE IN THE POSSESSION OF THE RECIPIENT, IT MUST BE PROPERLY SAFEGUARDED AGAINST DISCLOSURE TO ANYONE EXCEPT THOSE EMPLOYEES WHO REQUIRE IT FOR WORK OR JOB. THE RECIPIENT MUST KEEP CONFIDENTIAL AND REQUIRE HIS (HER) EMPLOYEES TO KEEP CONFIDENTIAL THE INFORMATION CONTAINED HERE ON.</p> | DRAWN BY KAZ | DATE 24-Feb-94 | J.M. CANTY INC. 6100 DONNER RD. BUFFALO, N.Y. 14094 U.S.A. | | J.M. CANTY INTL. LTD. BALLYCOOLIN BUS. PK. BLANCHARDSTOWN DUBLIN 15, IRELAND | |
| | APPROVAL RFM | DATE 24-Feb-94 | | | | |
| | ENGINEERING ANALYSIS CURRENT | DATE | TITLE SIGHT FLOW THREADED & SOCKET WELD MODEL S100 DIMENSIONS & P/N SELECTION / SALES | | | |
| | MFG. APPROVAL PENDING | DATE | QUALITY CONTROL I.O.A. | DATE | SIZE REVISION C 8 | FILE NAME 94B5082 |
| SCALE N.T.S. | | | SHEET 1 OF 1 | | | |