
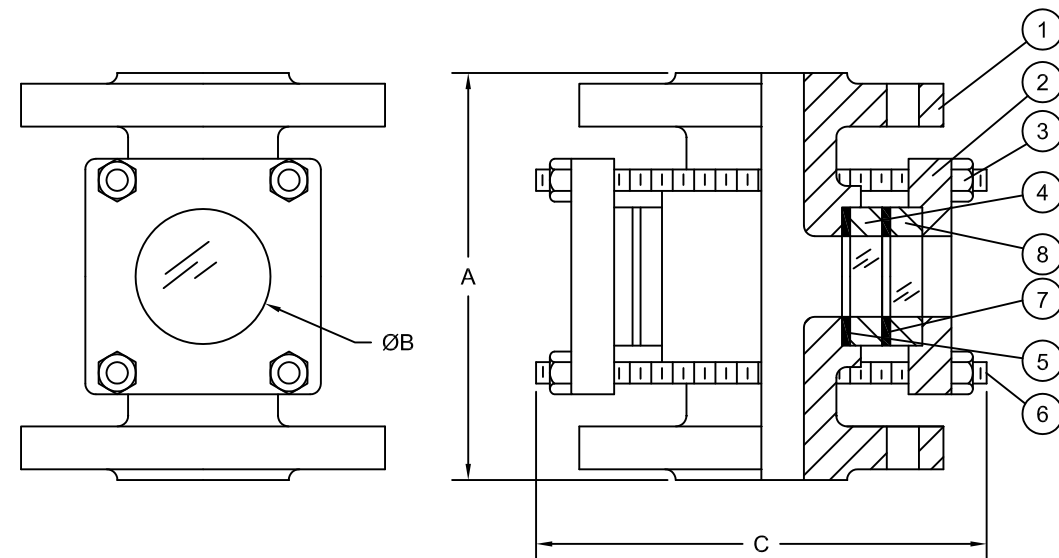


SIGHT FLOW HIGH TEMPERATURE 150 lb. & 10 bar, 16 bar P/N

F	F							H	
	F = FLANGED	A = 150 psi STANDARD B = 150 psi FLAPPER C = 150 psi DRIP TUBE D = 150 psi ROTOR M = 10 bar STANDARD N = 10 bar FLAPPER P = 10 bar DRIP TUBE Q = 10 bar ROTOR R = 16 bar STANDARD S = 16 bar FLAPPER T = 16 bar DRIP TUBE U = 16 bar ROTOR	A = .5" Q = 40 mm B = .75" R = 50 mm C = 1" S = 65mm D = 1.5" T = 80mm E = 2" U = 100mm F = 3" G = 4" H = 6" I = 8" M = 15mm N = 20 mm P = 25 mm	A = CS B = SS C = ALLOY C D = C276 E = C-22®	A = CS C = ALLOY C D = C276 E = C-22®	3 = STFG 5 = GF 7 = BG	STUD / NUT / RETAINER 1 = CARBON STEEL 2 = STAINLESS STEEL OUTER FUSEVIEW™ 1 = CS 2 = ALLOY C / C276	H = 450° - 600°F (232° - 315°C)	Ø = NONE

BILL OF MATERIALS			
NO.	QTY.	DESCRIPTION	MATERIAL
1	1	SIGHT FLOW BODY	S.S., C.S., C276, C-22®
2	2	RETAINING FLANGE	CARBON STEEL, STAINLESS STEEL
3	16	NUT	2H, B8
4	2	INNER FUSEVIEW™ WINDOW	C.S., ALLOY C, C276, C-22®
5	2	GASKET	GF, STFG, BG
6	4	STUD	B7, B8
7	2	INSULATING GASKET	GRAFOIL®
8	2	OUTER FUSEVIEW™ WINDOW	C.S., ALLOY C, C276, C-22®

FLANGE SIZE	DIMENSIONS - 150 lb. / 10 bar / 16 bar			PRESSURE RATING	TEMP. RATING
	A	ØB	C		
.5" / 15mm	7.5" [190.5mm]	1.13" [28.7mm]	4.88" [124mm]	150 psig / 10 bar / 16 bar	600°F [315°C]
.75" / 20mm	7.88" [200.2mm]	1.13" [28.7mm]	4.88" [124mm]	150 psig / 10 bar / 16 bar	600°F [315°C]
1" / 25mm	5.63" [143mm]	1.13" [28.7mm]	6.63" [168.4mm]	150 psig / 10 bar / 16 bar	600°F [315°C]
1.5" / 40mm	6.50" [165.1mm]	1.50" [38.1mm]	8.13" [206.5mm]	150 psig / 10 bar / 16 bar	600°F [315°C]
2" / 50mm	7.88" [200.2mm]	2.13" [54.1mm]	8.75" [222.3mm]	150 psig / 10 bar / 16 bar	600°F [315°C]
2.5" & 3" / 65mm & 80mm	9.38" [238.3mm]	3.00" [76.2mm]	9.43" [239.5mm]	150 psig / 10 bar / 16 bar	600°F [315°C]
4" / 100mm	11.00" [279.4mm]	4.00" [101.6mm]	11.13" [282.7mm]	150 psig / 10 bar / 16 bar	600°F [315°C]
6" / 150mm	14.25" [362mm]	6.00" [152.4mm]	14.31" [363.5mm]	150 psig / 10 bar	600°F [315°C]
8" / 200mm	16.13" [409.7mm]	8.00" [203.2mm]	19.13" [485.9mm]	150 psig / 10 bar	600°F [315°C]



LEGEND
 CS = CARBON STEEL
 SS = 316 STAINLESS STEEL
 C276 = HASTELLOY® C276 OR EQUAL
 C-22® = HASTELLOY® C-22® OR EQUAL

STFG = SOFT TEFLON®
 GF = GRAFOIL®
 BG = BLUE GARLOCK® 3000

- NOTES:**
- FUSEVIEW™ WINDOWS ARE STANDARD ON ALL SIZES.
 - FLANGED ENDS ARE STANDARD 150 lb. CONNECTIONS PER ANSI 16.5 OR 10 bar & 16 bar PER DIN BS EN 1092-1.
 - CARBON STEEL NON-WETTED IS STANDARD.
 - ALL REGISTERED TRADEMARKS ARE PROPERTY OF THEIR RESPECTIVE OWNERS.
 - ALL INFORMATION IS SUBJECT TO CHANGE WITHOUT NOTICE.

NOTICE THIS DRAWING IS THE PROPERTY OF J.M. CANTY AND MUST BE RETURNED WITHOUT REPRODUCTION OR DUPLICATION, AT ANY TIME UPON REQUEST, BUT IN ANY EVENT AS SOON AS IT HAS SERVED THE PURPOSE FOR WHICH IT WAS FURNISHED, WHILE IN THE POSSESSION OF THE RECIPIENT, IT MUST BE PROPERLY SAFEGUARDED AGAINST DISCLOSURE TO ANYONE EXCEPT THOSE EMPLOYEES WHO REQUIRE IT FOR WORK OR JOB. THE RECIPIENT MUST KEEP CONFIDENTIAL AND REQUIRE HIS (HER) EMPLOYEES TO KEEP CONFIDENTIAL THE INFORMATION CONTAINED HERE ON.		DRAWN BY KAZ	DATE 08-Jul-94	J.M. CANTY INC. 6100 DONNER RD. BUFFALO, N.Y. 14094 U.S.A.	CANTY WWW.JMCANTY.COM	J.M. CANTY INTL. LTD. BALLYCOOLIN BUS. PK. BLANCHARDSTOWN DUBLIN 15, IRELAND
APPROVAL RFM	DATE 08-Jul-94	ENGINEERING ANALYSIS CURRENT	DATE	TITLE SIGHT FLOW HIGH TEMPERATURE 150 lb. & 10 bar, 16 bar P/N SELECTION - SALES		
MFG. APPROVAL PENDING	DATE	QUALITY CONTROL I.O.A.	DATE	SIZE C	REVISION 9	FILE NAME 94B5388
SCALE N.T.S.				SHEET 1		OF 1