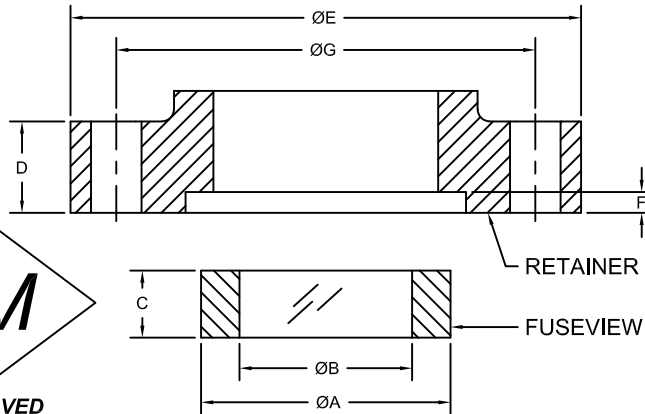


# FUSEVIEW™ FLAT GASKET SIGHT GLASS & RETAINER P/N

<b>S</b>	<b>1</b>				<b>1</b>			<b>A</b>	<b>0</b>
1 = FV	A = 150 psi 1" THRU 8" SIZES <b>OR</b> A = 100 psi 10" SIZE  B = 300 psi D = 600 psi	<b>SIZE (VIEW / O.D.)</b> B = 1" (1" / 2") C = 1.5" (1.5" / 3") E = 2" (2.13" / 3.63") F = 2.5" (2.5" / 4") H = 3" (3" / 5") I = 3.5" (3.5" / 5.5") J = 4" (4" / 6") P = 5" (5" / 7.5") R = 6" (6" / 8.38") V = 8" (8" / 10.5") W = 10" (9.5" / 12")	A = CS B = SS C = ALLOY C D = C276 E = C-22®	1 = BORO PLUS™	<b>WETTED (STANDARD = 0)</b>  0 = 32 µin[.81 µm] Ra B = 20 µin[.51 µm] Ra(BPE-SF1) C = 15 µin[.38 µm] Ra L = 20 µin[.51 µm] Ra ELECTROPOLISHED (BPE-SF5) M = 15 µin[.38 µm] Ra ELECTROPOLISHED (BPE-SF4)  <b>NON-WETTED</b> 32 µin[.81 µm] Ra	0 = NF 1 = CS 2 = SS	A = ↓ 450°F	0 = NONE	

SIZE in.	ØA in.	ØB in.	C in.	150#					300#					600#					F in.	PRESSURE RATING psi	TEMPERATURE RATING °F
				HOLE PATTERN					HOLE PATTERN					HOLE PATTERN							
				D in.	E in.	ØG in.	QTY.	Ø in.	D in.	E in.	ØG in.	QTY.	Ø in.	D in.	E in.	ØG in.	QTY.	Ø in.			
1	2	1.13	.75	.56	4.25	3.13	4	.63	.69	4.88	3.5	4	.75	.69	4.88	3.5	4	.75	.13	150 / 300 / 600	450°
1.5	3	1.5	.75	.69	5	3.88	4	.63	.81	6.13	4.5	4	.88	.88	6.13	4.5	4	.88	.13	150 / 300 / 600	450°
2	3.63	2.13	.75	.75	6	4.75	4	.75	.88	6.5	5	8	.75	1	6.5	5	8	.75	.13	150 / 300 / 600	450°
2.5	4	2.5	.75	.88	7	5.5	4	.75	1	7.5	5.88	8	.88	1.13	7.5	5.88	8	.88	.13	150 / 300 / 600	450°
3	5	3	.75	.94	7.5	6	4	.75	1.13	8.25	6.63	8	.88	---	---	---	---	---	.13	150 / 300	450°
3	5	3	.9	---	---	---	---	---	---	---	---	---	---	1.25	8.25	6.63	8	.88	.13	600	450°
3.5	5.5	3.5	.75	.94	8.5	7	8	.75	1.19	9	7.25	8	.88	---	---	---	---	---	.13	150 / 300	450°
4	6	4	.75	.94	9	7.5	8	.75	---	---	---	---	---	---	---	---	---	---	.13	150	450°
4	6	4	.9	---	---	---	---	---	1.25	10	7.88	8	.88	1.5	10.75	8.5	8	1	.13	300 / 600	450°
5	7.5	5	.75	.94	10	8.5	8	.88	---	---	---	---	---	---	---	---	---	---	.13	150	450°
5	7.5	5	.9	---	---	---	---	---	1.38	11	9.25	8	.88	---	---	---	---	---	.13	300	450°
5	7.5	5	1.18	---	---	---	---	---	---	---	---	---	---	1.75	13	10.5	8	1.13	.13	600	450°
6	8.38	6	.75	1	11	9.5	8	.88	---	---	---	---	---	---	---	---	---	---	.13	150	450°
6	8.38	6	.9	---	---	---	---	---	1.44	12.5	10.63	12	.88	---	---	---	---	---	.13	300	450°
6	8.38	6	1.18	---	---	---	---	---	---	---	---	---	---	1.88	14	11.5	12	1.13	.13	600	450°
8	10.5	8	.9	1.13	13.5	11.75	8	.88	---	---	---	---	---	---	---	---	---	---	.13	150	400°
8	10.5	8	1.18	---	---	---	---	---	1.63	15	13	12	1	---	---	---	---	---	.13	300	400°
10	12	9.5	.9	1.19	16	14.25	12	1	---	---	---	---	---	---	---	---	---	---	.13	100	300°



**LEGEND**  
 NF = NO RETAINING FLANGE  
 CS = CARBON STEEL  
 SS = 316L STAINLESS STEEL  
 C276 = HASTELLOY® C276 OR EQUAL  
 C-22® = HASTELLOY® C-22® OR EQUAL

**NOTES:**  
 1. VARIOUS MODELS ARE FM APPROVED, SEE DRAWING 94A5064.  
 2. CARBON STEEL FUSEVIEWS™ ARE NICKEL PLATED.  
 3. ALL SIZES 3" AND LARGER ARE AVAILABLE IN ALLOY C.  
 4. ALL REGISTERED TRADEMARKS ARE PROPERTY OF THEIR RESPECTIVE OWNERS.  
 5. ALL INFORMATION IS SUBJECT TO CHANGE WITHOUT NOTICE.



<b>NOTICE</b> THIS DRAWING IS THE PROPERTY OF J.M. CANTY AND MUST BE RETURNED WITHOUT REPRODUCTION OR DUPLICATION, AT ANY TIME UPON REQUEST, BUT IN ANY EVENT AS SOON AS IT HAS SERVED THE PURPOSE FOR WHICH IT WAS FURNISHED, WHILE IN THE POSSESSION OF THE RECIPIENT, IT MUST BE PROPERLY SAFEGUARDED AGAINST DISCLOSURE TO ANYONE EXCEPT THOSE EMPLOYEES WHO REQUIRE IT FOR WORK OR JOB. THE RECIPIENT MUST KEEP CONFIDENTIAL AND REQUIRE HIS (HER) EMPLOYEES TO KEEP CONFIDENTIAL THE INFORMATION CONTAINED HERE ON.	DRAWN BY <b>KAZ</b>	DATE <b>15-Jan-90</b>	J.M. CANTY INC. 6100 DONNER RD. BUFFALO, N.Y. 14094 U.S.A.	<b>CANTY</b> WWW.JMCANTY.COM	J.M. CANTY INTL. LTD. BALLYCOOLIN BUS. PK. BLANCHARDSTOWN DUBLIN 15, IRELAND
	APPROVAL <b>RFM</b>	DATE <b>15-Jan-90</b>			
	ENGINEERING ANALYSIS <b>CURRENT</b>	DATE	<b>TITLE</b> <b>FUSEVIEW™ CARTRIDGE &amp; RETAINER P/N SELECTION &amp; DIMENSIONS - SALES</b>		
	MFG. APPROVAL <b>PENDING</b>	DATE	<b>SIZE REVISION</b> <b>C 18</b>		<b>FILE NAME</b> <b>94C5063</b>
	QUALITY CONTROL <b>I.O.A.</b>	DATE	<b>SCALE</b> N.T.S.		<b>SHEET</b> 1 OF 1