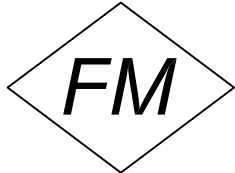


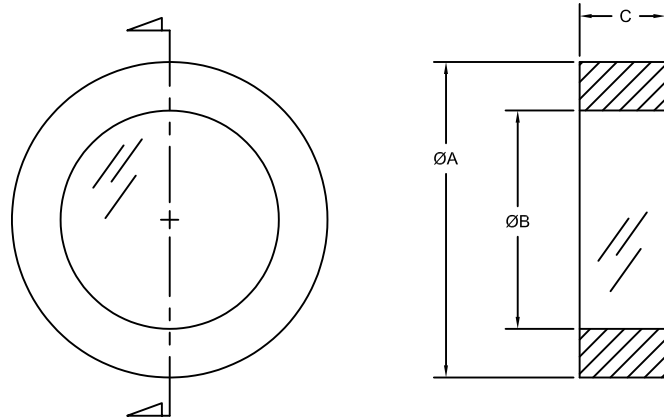
# FUSEVIEW™ FLAT GASKET SIGHT GLASS P/N

<b>S</b>	<b>1</b>					<b>1</b>		<b>0</b>	<b>A</b>	<b>0</b>
1 = FV	A = 150 psi 1" THRU 8" SIZES <b>OR</b> A = 100 psi 10" SIZE ----- B = 300 psi D = 600 psi	<b>SIZE (VIEW / O.D.)</b> B = 1" (1" / 2") C = 1.5" (1.5" / 3") D = 2" (2.13" / 3") E = 2" (2.13" / 3.63") F = 2.5" (2.5" / 4") G = 2.5" (2.5" / 4.5") H = 3" (3" / 5") I = 3.5" (3.5" / 5.5") J = 4" (4" / 6") K = 4" (4" / 5.9") L = 4.5" (4.5" / 6.5")	<b>SIZE (VIEW / O.D.)</b> M = 4.5" (4.5" / 6.75") N = 4.5" (4.5" / 6.89") O = 4.5" (4.5" / 7") P = 5" (5" / 7.5") Q = 5.62" (5.62" / 7.87") R = 6" (6" / 8.38") S = 7" (7" / 9.5") T = 7.25" (7.3" / 9.81") U = 7.5" (7.5" / 10") V = 8" (8" / 10.5") W = 10" (9.5" / 12")	A = CS B = SS C = ALLOY C D = C276 E = C-22®	1 = BORO PLUS™	<b>WETTED (STANDARD = 0)</b> 0 = 32 µin[.81 µm] Ra B = 20 µin[.51 µm] Ra(BPE-SF1) C = 15 µin[.38 µm] Ra L = 20 µin[.51 µm] Ra ELECTROPOLISHED (BPE-SF5) M = 15 µin[.38 µm] Ra ELECTROPOLISHED (BPE-SF4)  <b>NON-WETTED</b> 32 µin[.81 µm] Ra	0 = NONE	A = ↓450°F	0 = NONE	



APPROVED

**LEGEND**  
 NF = NO RETAINING FLANGE  
 CS = CARBON STEEL  
 SS = 316L STAINLESS STEEL  
 C276 = HASTELLOY® C276 OR EQUAL  
 C-22® = HASTELLOY® C-22® OR EQUAL



SIZE in.	ØA in.	ØB in.	C in.	PRESSURE RATING psi
1	2	1.13	.75	150 / 300 / 600
1.5	3	1.5	.75	150 / 300 / 600
2	3	2.13	.75	150 / 300 / 600
2	3.63	2.13	.75	150 / 300 / 600
2.5	4	2.5	.75	150 / 300 / 600
2.5	4.5	2.5	.75	150 / 300 / 600
3	5	3	.75	150 / 300
3	5	3	.90	600
3.5	5.5	3.5	.75	150 / 300
4	5.9	4	.75	150
4	6	4	.75	150
4	6	4	.90	300 / 600
4.5	6.5	4.5	.75	150 / 300
4.5	6.75	4.5	.75	150 / 300
4.5	6.889	4.5	.75	150 / 300
4.5	7	4.5	.75	150 / 300

SIZE in.	ØA in.	ØB in.	C in.	PRESSURE RATING psi
5	7.5	5	.75	150
5	7.5	5	.9	300
5	7.5	5	1.18	600
5.6	7.88	5.63	.75	150
5.6	7.88	5.63	.9	300
6	8.38	6	.75	150
6	8.38	6	.9	300
6	8.38	6	1.18	600
7	9.5	7	.75	150
7	9.5	7	1.18	300
7.25	9.81	7.31	.75	150
7.25	9.81	7.31	1.18	300
7.5	10	7.5	.9	150
7.5	10	7.5	1.18	300
8	10.5	8	1	150
8	10.5	8	1.18	300
10	12	9.5	.9	100

**NOTES:**

- VARIOUS MODELS ARE FM APPROVED, SEE DRAWING 94A5064.
- CARBON STEEL SIGHT GLASSES ARE NICKEL PLATED.
- ALL SIZES 3" AND LARGER ARE AVAILABLE IN ALLOY C.
- HASTELLOY® AND C-22® ARE REGISTERED TRADEMARKS OF HAYNES INTERNATIONAL, INC.
- ALL INFORMATION IS SUBJECT TO CHANGE WITHOUT NOTICE.

<p><b>NOTICE</b>                  THIS DRAWING IS THE PROPERTY OF J.M. CANTY AND MUST BE RETURNED WITHOUT REPRODUCTION OR DUPLICATION, AT ANY TIME UPON REQUEST, BUT IN ANY EVENT AS SOON AS IT HAS SERVED THE PURPOSE FOR WHICH IT WAS FURNISHED, WHILE IN THE POSSESSION OF THE RECIPIENT, IT MUST BE PROPERLY SAFEGUARDED AGAINST DISCLOSURE TO ANYONE EXCEPT THOSE EMPLOYEES WHO REQUIRE IT FOR WORK OR JOB. THE RECIPIENT MUST KEEP CONFIDENTIAL AND REQUIRE HIS (HER) EMPLOYEES TO KEEP CONFIDENTIAL THE INFORMATION CONTAINED HERE ON.</p>	DRAWN BY <b>KAZ</b>	DATE <b>21-Feb-94</b>	J.M. CANTY INC. 6100 DONNER RD. BUFFALO, N.Y. 14094 U.S.A.		J.M. CANTY INTL. LTD. BALLYCOOLIN BUS, PK. BLANCHARDSTOWN DUBLIN 15, IRELAND	
	APPROVAL <b>RFM</b>	DATE <b>21-Feb-94</b>				
	ENGINEERING ANALYSIS <b>CURRENT</b>	MFG. APPROVAL <b>PENDING</b>	DATE 	TITLE <b>FUSEVIEW™ FLAT GASKET SIGHT GLASS                  P/N SELECTION &amp; DIMENSIONS - SALES</b>		
	QUALITY CONTROL <b>I.O.A.</b>	DATE 	SIZE REVISION <b>C 15</b>	FILE NAME <b>94C5070</b>		SCALE <b>N.T.S.</b>
					SHEET <b>1</b> OF <b>1</b>	