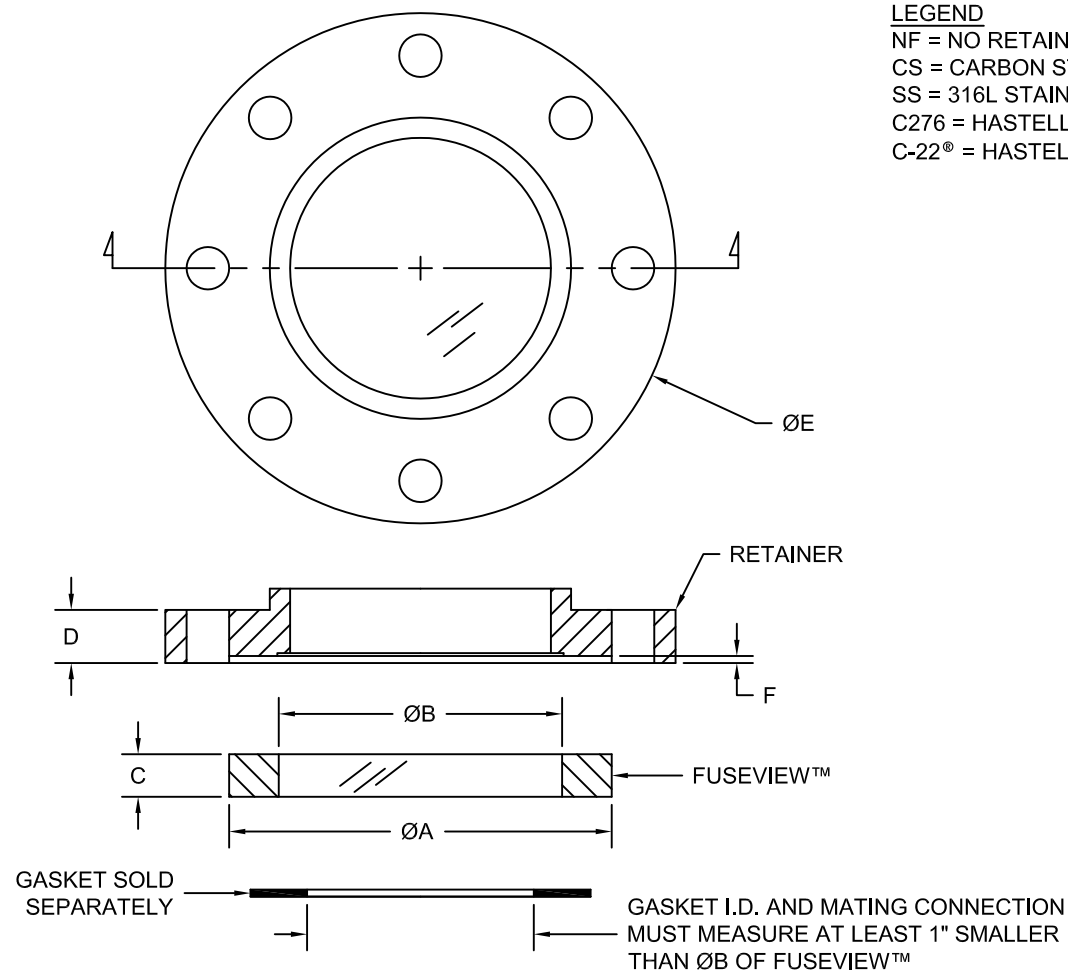


FUSEVIEW™ GLASS WETTED SIGHT GLASS P/N

	MODEL	PRESSURE	SIZE	FUSEVIEW™ (NON-WETTED)	FUSEVIEW™ GLASS (WETTED)	FINISH	RETAINER	TEMPERATURE	OUTER FUSEVIEW™	
S	8				1	0		A	0	
	8 = GWFV	A = 150 psi 1 = 10 bar	SIZE (VIEW / O.D.) E = 1" (2" / 2.5") F = 1.5" (2.5" / 3.25") A = 2" (3" / 4") B = 3" (4" / 5.25") C = 4" (5.19" / 6.75") D = 6" (7" / 8.63") G = 8" (9" / 10.88") 6 = 25mm (2" / 2.75")	SIZE (VIEW / O.D.) 7 = 40mm (2.5" / 3.5") 1 = 50mm (3" / 4") 8 = 65mm (3.5" / 4.88") 2 = 80mm (4.25" / 5.5") 3 = 100mm (5" / 6.38") 4 = 150mm (7" / 8.58") 5 = 200mm (9" / 10.75")	C = ALLOY C D = C276 E = C-22®	1 = BORO PLUS™	WETTED / NON-WETTED 0 = 32 µin[.81 µm] Ra / 32 µin[.81 µm] Ra	0 = NF 1 = CS 2 = SS	A = ↓450°F [↓232°C]	0 = NONE



LEGEND
 NF = NO RETAINING FLANGE
 CS = CARBON STEEL
 SS = 316L STAINLESS STEEL
 C276 = HASTELLOY® C276 OR EQUAL
 C-22® = HASTELLOY® C-22® OR EQUAL

ANSI SPECIFICATIONS								
SIZE in.	ØA in.	ØB in.	C in.	D in.	ØE in.	F in.	PRESSURE RATING psi	TEMPERATURE RATING °F
1	2.57	1.9	.75	.5	4.25	.13	150	400
1.5	3.25	2.5	.75	.63	5	.13	150	400
2	4.00	3	.75	.69	6	.13	150	450
3	5.25	4	.75	.88	7.5	.13	150	450
4	6.75	5.18	.75	.88	9	.13	150	450
6	8.62	7	.90	.94	11	.13	150	450
8	10.87	9	1.00	1.06	13.5	.13	150	400

DIN SPECIFICATIONS								
SIZE mm	ØA mm	ØB mm	C mm	D mm	ØE mm	F mm	PRESSURE RATING bar	TEMPERATURE RATING °C
25	69.9	50.8	19	16	115	3.2	10	232
40	88.9	63.5	19	18	150	3.2	10	232
50	101.6	76.2	19	20	165	3.2	10	232
65	123.8	88.9	19	20	185	3.2	10	232
80	139.7	108	19	22	200	3.2	10	232
100	161.9	131.8	19	24	220	3.2	10	232
150	218.2	178	23	26	285	3.2	10	232
200	273.1	228.6	25	26	340	3.2	10	204

- NOTES:**
1. BORO PLUS™ GLASS IS THE ONLY WETTED MATERIAL.
 2. GASKET SEALS EQUALLY ON GLASS AND METAL.
 3. PROPER GASKET SELECTION RESTRICTS PROCESS FROM CONTACTING METAL PORTION OF FUSEVIEW™.
 4. WHEN TEFLON® IS REQUIRED, MACHINED TEFLON® ENVELOPE GASKETS ARE RECOMMENDED.
 5. THIS FUSEVIEW™ SYSTEM RETAINS ALL OF THE ADVANTAGES OF THE STANDARD CANTY FUSEVIEW™ WITH THE ADDITIONAL BENEFIT OF HAVING GLASS AS THE ONLY WETTED MATERIAL.
 6. HASTELLOY® AND C-22® ARE REGISTERED TRADEMARKS OF HAYNES INTERNATIONAL, INC.
 7. TEFLON® IS A REGISTERED TRADEMARK OF THE DUPONT CORPORATION.
 8. ALL INFORMATION IS SUBJECT TO CHANGE WITHOUT NOTICE.

<p>NOTICE THIS DRAWING IS THE PROPERTY OF J.M. CANTY AND MUST BE RETURNED WITHOUT REPRODUCTION OR DUPLICATION, AT ANY TIME UPON REQUEST, BUT IN ANY EVENT AS SOON AS IT HAS SERVED THE PURPOSE FOR WHICH IT WAS FURNISHED, WHILE IN THE POSSESSION OF THE RECIPIENT, IT MUST BE PROPERLY SAFEGUARDED AGAINST DISCLOSURE TO ANYONE EXCEPT THOSE EMPLOYEES WHO REQUIRE IT FOR WORK OR JOB. THE RECIPIENT MUST KEEP CONFIDENTIAL AND REQUIRE HIS (HER) EMPLOYEES TO KEEP CONFIDENTIAL THE INFORMATION CONTAINED HERE ON.</p>	DRAWN BY GKW	DATE 07-Mar-96	J.M. CANTY INC. 6100 DONNER RD. BUFFALO, N.Y. 14094 U.S.A.		J.M. CANTY INTL. LTD. BALLYCOOLIN BUS. PK. BLANCHARDSTOWN DUBLIN 15, IRELAND
	APPROVAL RFM	DATE 07-Mar-96			
	ENGINEERING ANALYSIS CURRENT	DATE	TITLE FUSEVIEW™ GLASS WETTED DIMENSIONS & P/N SELECTION - SALES		
	MFG. APPROVAL PENDING	DATE	SIZE REVISION C 10	FILE NAME 96B6298	
QUALITY CONTROL I.O.A.	DATE	SCALE N.T.S.	SHEET 1 OF 1		