

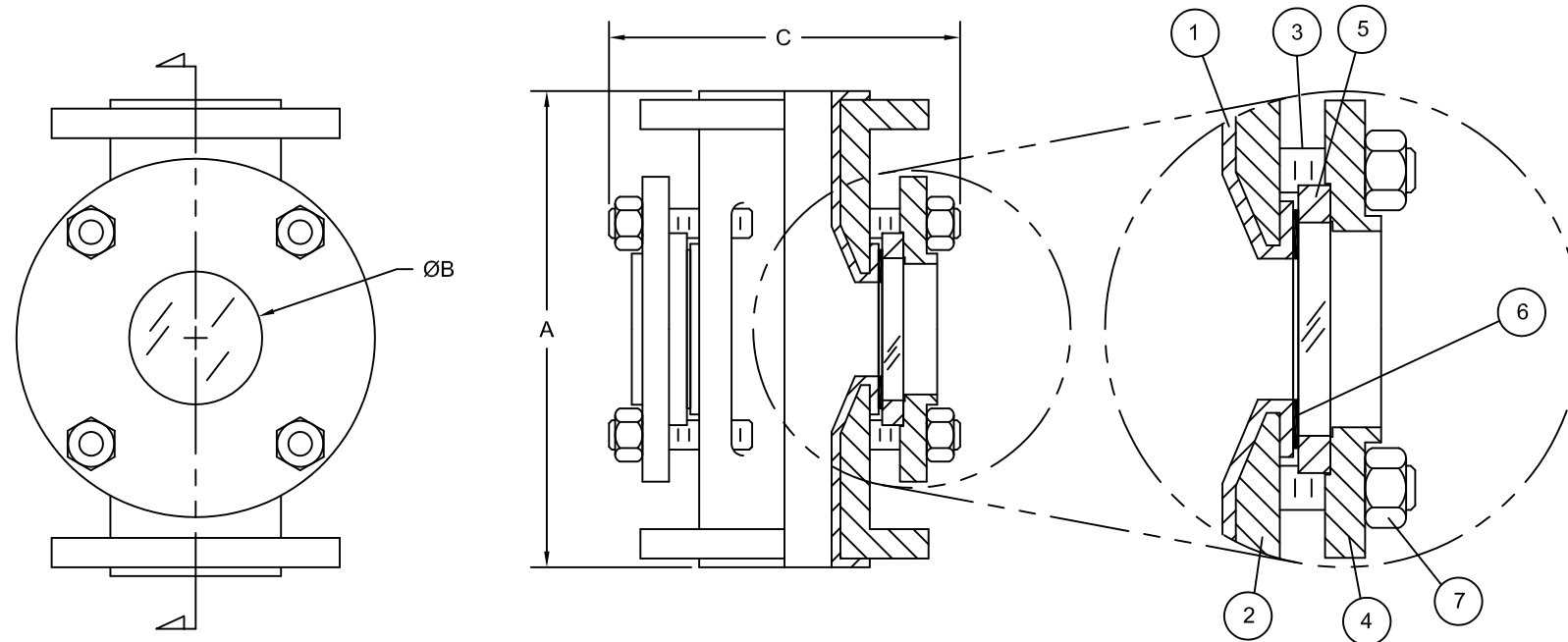
SIGHT FLOW FLANGED TEFLON® LINED MODEL F700TFE P/N

F	MODEL E	PRESSURE / INDICATOR 3	SIZE 	BODY (NON-WETTED) A	FUSEVIEW™ (WETTED) G	GASKET (WETTED) B	RETAINER / STUD / NUT MATERIAL (NON-WETTED) 1	TEMP. / DUAL B	LIGHT / CAMERA TEE CONNECTION
	E = FLANGED TEFLON® LINED	3 = 150 psi	C = 1" G = 4" D = 1.5" H = 6" E = 2" I = 8" F = 3" J = 10"	A = CS	G = GLASS (SEE NOTE 4)	B = TE	1 = CS	B = ↓400°F	0 = NONE 8 = WINDOW MOUNT

BILL OF MATERIALS		
ITEM	QTY.	DESCRIPTION
1	1	LINER, TEFLON®
2	1	SIGHT FLOW BODY, C.S.
3	8 & 16	STUD, B7
4	2	RETAINING FLANGE, C.S. SA105
5	2	FUSEVIEW™ SIGHT GLASS, GLASS WETTED
6	2	GASKET, TEFLON® ENVELOPE
7	8 & 16	NUT, 2H

LEGEND
CS = CARBON STEEL
TE = TEFLON® ENVELOPE

VARIABLE DIMENSIONS - 150 lb.			
FLANGE SIZE	A	ØB	C
1"	7" [177.8mm]	1.13" [28.7mm]	5.00" [127mm]
1-1/2"	8" [203.2mm]	1.50" [38.1mm]	5.88" [149.4mm]
2"	9" [228.6mm]	2.00" [50.8mm]	7.50" [190.5mm]
3"	11" [279.4mm]	3.00" [76.2mm]	8.88" [225.6mm]
4"	13" [330.2mm]	4.00" [101.6mm]	9.88" [251mm]
6"	17" [431.8mm]	6.00" [152.4mm]	12.25" [311.2mm]
8"	20" [508mm]	8.00" [203.2mm]	15.50" [393.7mm]



VACUUM RATING (1" - 4" SIZES, VACUUM MUST BE STABLE & STEADY, NOT CYCLING.)	
FLANGE SIZE	RATING
1"	FULL VACUUM @ 300°F
1-1/2"	FULL VACUUM @ 250°F
2"	FULL VACUUM @ 250°F
3"	FULL VACUUM @ 200°F
4"	-12 psi @ 210°F
6"	NO VACUUM
8"	NO VACUUM

NOTES:

1. FLANGED ENDS ARE STANDARD 150 lb. ANSI FLANGES.
2. WETTED MATERIALS ARE TEFLON® & BORO PLUS™ GLASS.
3. CONSULT FACTORY FOR STAINLESS STEEL NON-WETTED MODELS.
4. FUSEVIEW™ WINDOW CONSISTS OF AN INCREASED DIAMETER GLASS / ALLOY C OR ALLOY C276 SEAL WITH GLASS BEING THE ONLY WETTED MATERIAL. THE GASKET SEALS EQUALLY ON GLASS AND EITHER ALLOY C OR ALLOY C276.
5. TEFLON® IS A REGISTERED TRADEMARK OF THE DUPONT CORPORATION.
6. ALL INFORMATION IS SUBJECT TO CHANGE WITHOUT NOTICE.

<p>NOTICE THIS DRAWING IS THE PROPERTY OF J.M. CANTY AND MUST BE RETURNED WITHOUT REPRODUCTION OR DUPLICATION, AT ANY TIME UPON REQUEST, BUT IN ANY EVENT AS SOON AS IT HAS SERVED THE PURPOSE FOR WHICH IT WAS FURNISHED. WHILE IN THE POSSESSION OF THE RECIPIENT, IT MUST BE PROPERLY SAFEGUARDED AGAINST DISCLOSURE TO ANYONE EXCEPT THOSE EMPLOYEES WHO REQUIRE IT FOR WORK OR JOB. THE RECIPIENT MUST KEEP CONFIDENTIAL AND REQUIRE HIS (HER) EMPLOYEES TO KEEP CONFIDENTIAL THE INFORMATION CONTAINED HERE ON.</p>	DRAWN BY GKW	DATE 17-MAY-96	J.M. CANTY INC. 6100 DONNER RD. BUFFALO, N.Y. 14094 U.S.A.	CANTY WWW.JMCANTY.COM	J.M. CANTY INTL. LTD. BALLYCOOLIN BUS. PK. BLANCHARDSTOWN DUBLIN 15, IRELAND	
	APPROVAL RFM	DATE 17-MAY-96				
	ENGINEERING ANALYSIS CURRENT	DATE	TITLE SIGHT FLOW FLANGED TEFLON® LINED MODEL F700TFE DIMENSIONS & P/N SELECTION - SALES			
	MFG. APPROVAL PENDING	DATE	SIZE REVISION C 5	FILE NAME 96B6390		
	QUALITY CONTROL I.O.A.	DATE	SCALE N.T.S.	SHEET 1 OF 1		