

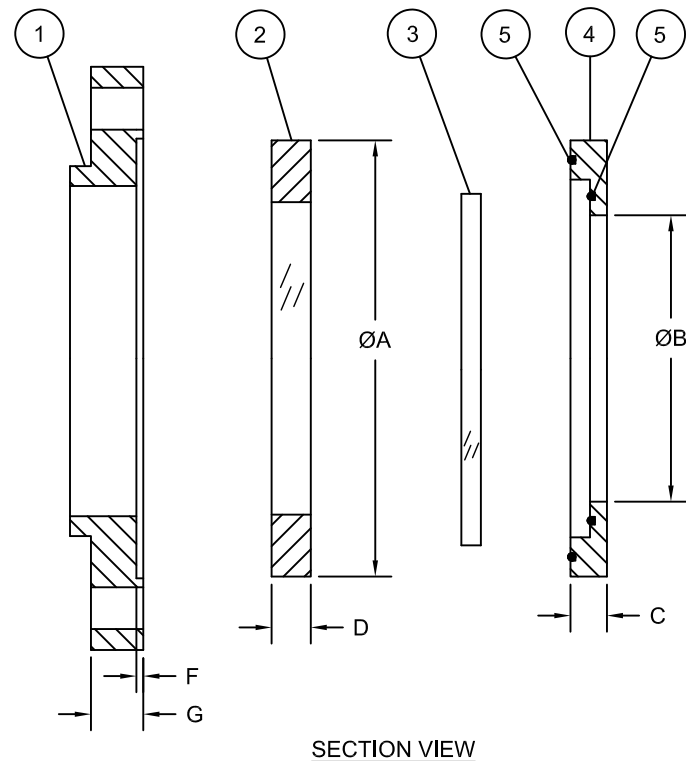
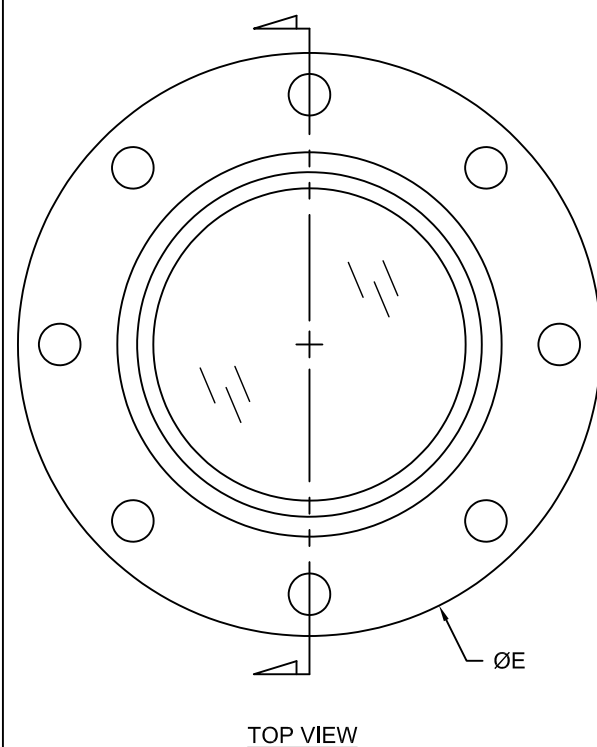
FUSEVIEW™ QUARTZ SHIELD SIGHT GLASS P/N

S	MODEL 9	PRESSURE 	SIZE 	HOLDER (WETTED) 	FUSEVIEW™ GLASS 1	SHIELD (WETTED) J	RETAINER 	TEMPERATURE A	O-RING (WETTED)
	9 = QFV	A = 150 psi 1 = 10 bar	SIZE (VIEW / O.D.) E = 2" (1.75" / 3.63") H = 3" (2.75" / 5") J = 4" (3.75" / 6") R = 6" (5.5" / 8.38") V = 8" (7.5" / 10.5") 1 = 50mm (45mm / 92mm) 3 = 80mm (70mm / 127mm) 4 = 100mm (95mm / 152mm) 6 = 150mm (140mm / 213mm)	B = SS D = C276 E = C-22® X = TEF	1 = BORO PLUS™	J = QUARTZ	0 = NF 1 = CS 2 = SS	A = SEE O-RING CHART FOR MAX. TEMP.	1 = BUNA 2 = VITON® 3 = TEFLON® ENCAP. SILICONE 4 = SILICONE 5 = EPDM 6 = NEOPRENE

BILL OF MATERIALS		
ITEM	QTY.	DESCRIPTION
1	1	RETAINER, ANSI 150 lb., DIN PN10
2	1	FUSEVIEW™
3	1	SHIELD, QUARTZ
4	1	SHIELD HOLDER
5	2	O-RING

LEGEND
 NF = NO RETAINING FLANGE
 CS = CARBON STEEL
 SS = 316L STAINLESS STEEL
 C276 = HASTELLOY® C276 OR EQUAL
 C22 = HASTELLOY® C-22® OR EQUAL
 TEF = TEFLON®

O-RING MATERIAL MAXIMUM TEMPERATURE	
BUNA	= 212°F [100°C]
VITON®	= 400°F [204°C]
TEFLON® ENCAPSULATED SILICONE	= 450°F [232°C]
SILICONE	= 450°F [232°C]
ETHYLENE PROPYLENE DIENE RUBBER	= 300°F [148°C]



ANSI SPECIFICATIONS									
SIZE in.	ØA in.	ØB in.	C in.	D in.	ØE in.	F in.	G in.	PRESSURE RATING psi	TEMPERATURE RATING °F
2	3.63	1.75	.7	.75	6	.13	.75	150	450
3	5	2.75	.7	.75	7.5	.13	.94	150	450
4	6	3.75	.7	.75	9	.13	.94	150	450
6	8.38	5.5	.7	.75	11	.13	1	150	450
8	10.5	7.5	.7	.90	13.5	.13	1.13	150	450

DIN SPECIFICATIONS									
SIZE mm	ØA mm	ØB mm	C mm	D mm	ØE mm	F mm	G mm	PRESSURE RATING bar	TEMPERATURE RATING °C
50	92	45	18	19	165	2	17	10	232
80	127	70	18	19	200	2	18	10	232
100	152	95	18	19	220	2	20	10	232
150	213	140	18	19	285	2	22	10	232

- NOTES:**
1. QUARTZ IS THE ONLY WETTED GLASS
 2. FUSEVIEW™ BACKING PROVIDES ADDITIONAL PROTECTION FROM INTERNAL PRESSURE AND ACCIDENTAL IMPACT.
 3. DESIGN ALLOWS FUSEVIEW™ TO BE TORQUED IN PLACE WITHOUT DAMAGING QUARTZ.
 4. HASTELLOY® AND C-22® ARE REGISTERED TRADEMARKS OF HAYNES INTERNATIONAL, INC.
 5. TEFLON® AND VITON® ARE REGISTERED TRADEMARKS OF THE DUPONT CORPORATION.
 6. ALL INFORMATION IS SUBJECT TO CHANGE WITHOUT NOTICE.

<p>NOTICE THIS DRAWING IS THE PROPERTY OF J.M. CANTY AND MUST BE RETURNED WITHOUT REPRODUCTION OR DUPLICATION, AT ANY TIME UPON REQUEST, BUT IN ANY EVENT AS SOON AS IT HAS SERVED THE PURPOSE FOR WHICH IT WAS FURNISHED, WHILE IN THE POSSESSION OF THE RECIPIENT, IT MUST BE PROPERLY SAFEGUARDED AGAINST DISCLOSURE TO ANYONE EXCEPT THOSE EMPLOYEES WHO REQUIRE IT FOR WORK OR JOB. THE RECIPIENT MUST KEEP CONFIDENTIAL AND REQUIRE HIS (HER) EMPLOYEES TO KEEP CONFIDENTIAL THE INFORMATION CONTAINED HERE ON.</p>	DRAWN BY GKW	DATE 30-May-96	J.M. CANTY INC. 6100 DONNER RD. BUFFALO, N.Y. 14094 U.S.A.		J.M. CANTY INTL. LTD. BALLYCOOLIN BUS. PK. BLANCHARDSTOWN DUBLIN 15, IRELAND
	APPROVAL RFM	DATE 30-May-96			
	ENGINEERING ANALYSIS CURRENT	DATE	TITLE FUSEVIEW™ QUARTZ SHIELD SIGHT GLASS P/N SELECTION & DIMENSIONS - SALES		
	MFG. APPROVAL PENDING	DATE	SIZE REVISION C 8	FILE NAME 96B6420	
QUALITY CONTROL I.O.A.	DATE	SCALE N.T.S.	SHEET 1 OF 1		