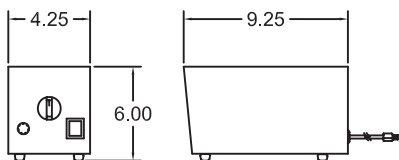


HYL 250 POWER SUPPLIES

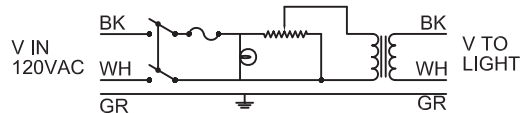
POWER SUPPLY

FUNCTIONS

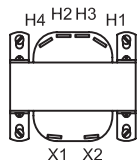
SCHEMATIC



CABINET MOUNTED
NON-WP POWER SUPPLY.
FEATURES A FULL DIMMER
CONTROL OF THE LIGHT.
NO TIMER IS AVAILABLE.



MODEL NO.: HYL250-1CT
ITEM NO.: LD1044-1



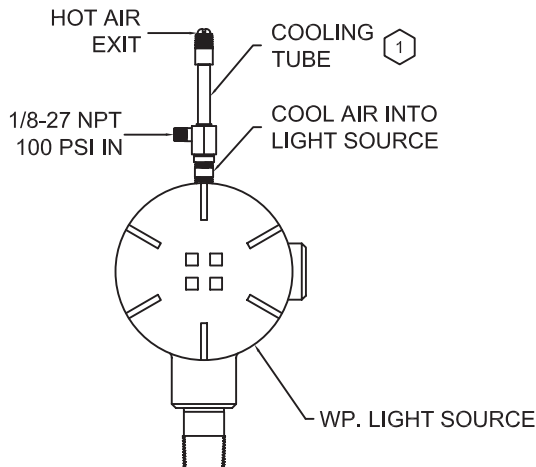
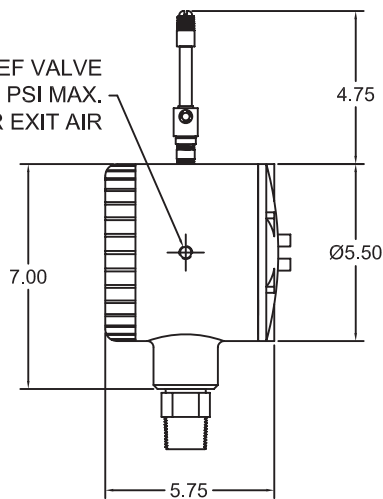
STAND ALONE TRANSFORMER
WITH 120V INPUT AND 24VAC
OUTPUT.



MODEL NO.: L052
DRAWING NO.: 90B2756

HYL 250 LIGHT

MUFFLE OR RELIEF VALVE
SET FOR 15 PSI MAX.
1/4-18 NPT FOR EXIT AIR



NOTES:

① THE COOLING TUBE SEPARATES HOT & COLD PRESSURIZED AIR. IT IS IMPORTANT TO USE CLEAN, DRY COOLING GAS OR AIR. A 5 MICRON FILTER IS RECOMMENDED.

JM CANTY INC.
BUFFALO, NEW YORK
Ph:(716) 625-4227
Fax:(716) 625-4228

JM CANTY LTD.
DUBLIN, IRELAND
Ph: (353) (01) 459-8808
Fax: (353) (01) 459-9512