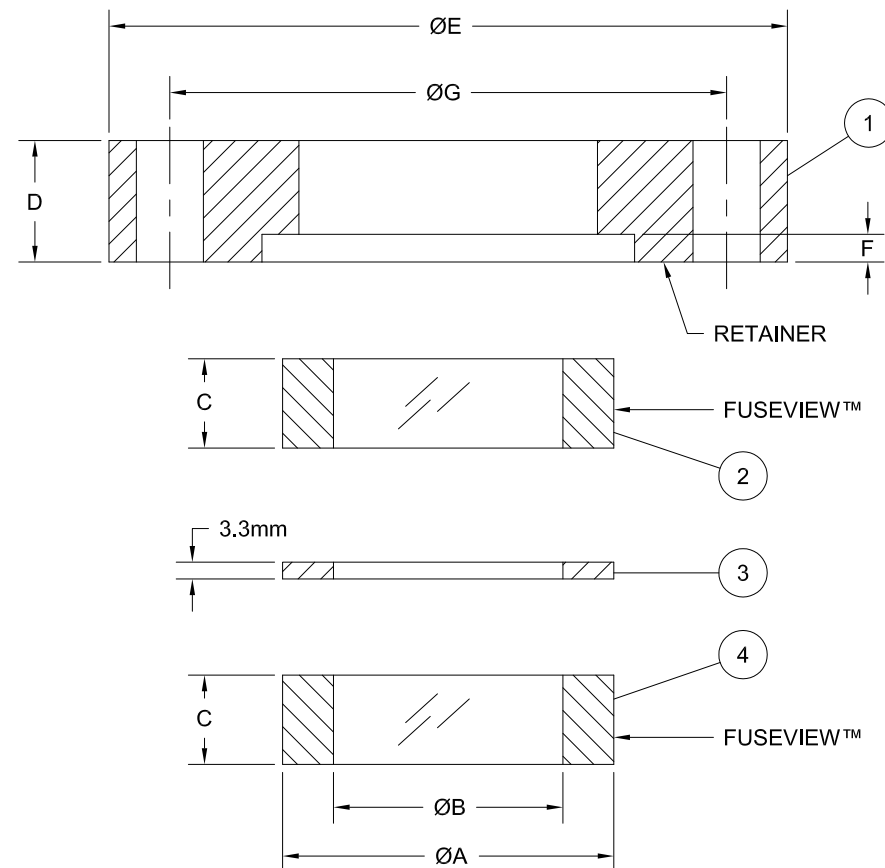


DIN FUSEVIEW™ HIGH TEMPERATURE SIGHT GLASS P/N

	MODEL	PRESSURE	SIZE	WETTED FUSEVIEW™ RING (INNER)	FUSEVIEW™ GLASS (WETTED)	FINISH	RETAINER MATERIAL	TEMPERATURE	NON-WETTED FUSEVIEW™ RING (OUTER)
S	7	1			1			H	
	7 = FVH	1 = 10 bar	SIZE (VIEW / O.D.) X = 25mm (38 / 68) Y = 32mm (38 / 76) Z = 40mm (51 / 88) 1 = 50mm (54 / 92) 2 = 65mm (76 / 122) 3 = 80mm (76 / 127) 4 = 100mm (102 / 152) 6 = 150mm (152 / 213) 7 = 200mm (203 / 267)	A = CS C = ALLOY C D = C276 E = C22®	1 = BORO PLUS™	WETTED (STANDARD = 0) 0 = 32 µin[.81 µm] Ra B = 20 µin[.51 µm] Ra(BPE-SF1) C = 15 µin[.38 µm] Ra L = 20 µin[.51 µm] Ra ELECTROPOLISHED (BPE-SF5) M = 15 µin[.38 µm] Ra ELECTROPOLISHED (BPE-SF4) NON-WETTED 32 µin[.81 µm] Ra	0 = NF 1 = CS 2 = SS (SEE NOTE 3)	H = SEE BELOW FOR MATL. / SIZE / TEMP. SPECS. - CARBON STL., WETTED OR NON WETTED, 25mm - 200mm SIZES = 232°C - 315°C - ALLOY C, C276, C-22®, BOTH WETTED & NON WETTED, 25mm - 150mm SIZES = 232°C - 343°C - ANY MATERIAL TEAM 200mm SIZE = 232°F - 315°F	A = CS C = ALLOY C D = C276 (SEE NOTE 3)



LEGEND
 NF = NO RETAINING FLANGE
 CS = CARBON STEEL
 SS = 316L STAINLESS STEEL
 C276 = HASTELLOY® C276 OR EQUAL
 C22 = HASTELLOY® C-22® OR EQUAL

SIZE mm	ØA mm	ØB mm	C mm	D mm	ØE mm	F mm	HOLE PATTERN		
							ØG mm	QTY.	Ø mm
25	68	38	19	14	115	2	85	4	14
32	76	38	19	16	140	2	100	4	18
40	88	51	19	16	150	2	110	4	18
50	92	54	19	17	165	2	125	4	18
65	122	76	19	18	185	2	145	4	18
80	127	76	19	18	200	2	160	8	18
100	152	102	19	20	220	2	180	8	18
150	213	152	19	22	285	2	240	8	22
200	267	203	25	22	340	2	295	8	22

BILL OF MATERIALS			
ITEM	QTY	DESCRIPTION	MATERIAL
1	1	RETAINING FLANGE	C.S., 316L S.S.
2	1	OUTER FUSEVIEW™	C.S., ALLOY C, HASTELLOY® C276
3	1	GASKET	GRAFOIL®
4	1	INNER FUSEVIEW™	C.S., ALLOY C, HASTELLOY® C276, HASTELLOY® 22®

NOTES:

- CARBON STEEL SIGHT GLASSES ARE NICKEL PLATED.
- ALLOY C ONLY AVAILABLE IN 65mm THRU 200mm SIZES.
- THE S.S. RETAINER OPTION INCLUDES A C276 OUTER FUSEVIEW FOR 25 THRU 50mm SIZES AND AN ALLOY C OUTER FUSEVIEW FOR 65 THRU 200mm SIZES.
- ALL REGISTERED TRADEMARKS ARE PROPERTY OF THEIR RESPECTIVE OWNERS.
- ALL INFORMATION IS SUBJECT TO CHANGE WITHOUT NOTICE.

<p>NOTICE THIS DRAWING IS THE PROPERTY OF J.M. CANTY AND MUST BE RETURNED WITHOUT REPRODUCTION OR DUPLICATION, AT ANY TIME UPON REQUEST, BUT IN ANY EVENT AS SOON AS IT HAS SERVED THE PURPOSE FOR WHICH IT WAS FURNISHED, WHILE IN THE POSSESSION OF THE RECIPIENT, IT MUST BE PROPERLY SAFEGUARDED AGAINST DISCLOSURE TO ANYONE EXCEPT THOSE EMPLOYEES WHO REQUIRE IT FOR WORK OR JOB. THE RECIPIENT MUST KEEP CONFIDENTIAL AND REQUIRE HIS (HER) EMPLOYEES TO KEEP CONFIDENTIAL THE INFORMATION CONTAINED HERE ON.</p>	DRAWN BY GKW	DATE 01-AUG-06	J.M. CANTY INC. 6100 DONNER RD. BUFFALO, N.Y. 14094 U.S.A.		J.M. CANTY INTL. LTD. BALLYCOOLIN BUS. PK. BLANCHARDSTOWN DUBLIN 15, IRELAND	
	APPROVAL RFM	DATE 01-AUG-06				
	ENGINEERING ANALYSIS CURRENT	DATE	MFG. APPROVAL PENDING	DATE	TITLE DIN FUSEVIEW HIGH TEMPERATURE SIGHT GLASS P/N SELECTION & DIMENSIONS - SALES	
	QUALITY CONTROL I.O.A.	DATE	SIZE C	REVISION 3	FILE NAME C10638	SCALE N.T.S.
					SHEET 1 OF 1	