

**SPECIFICATIONS**

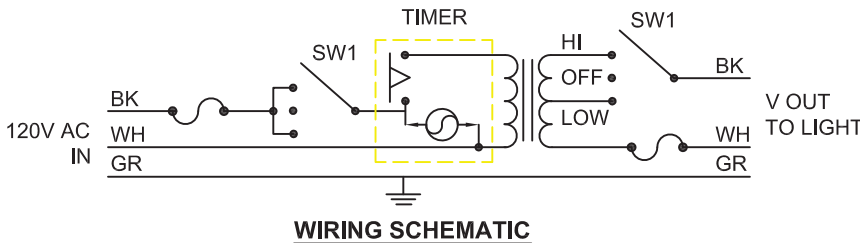
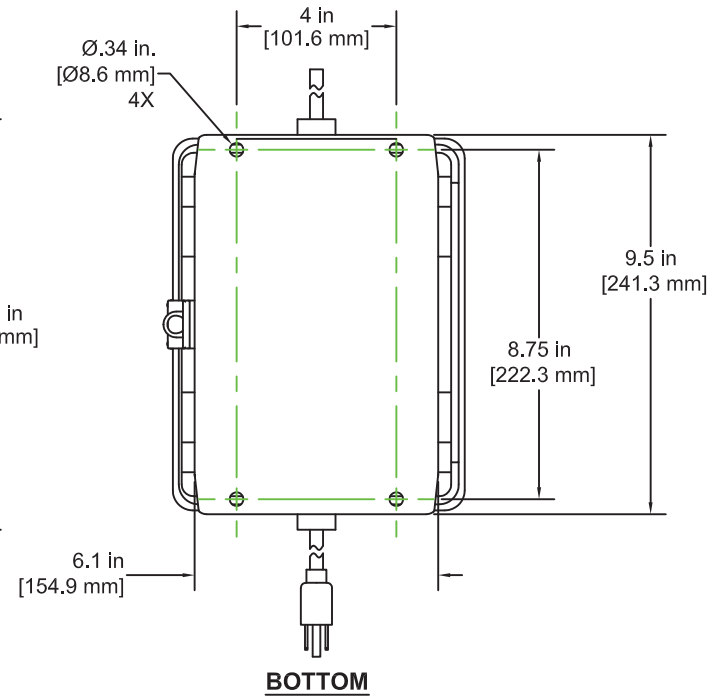
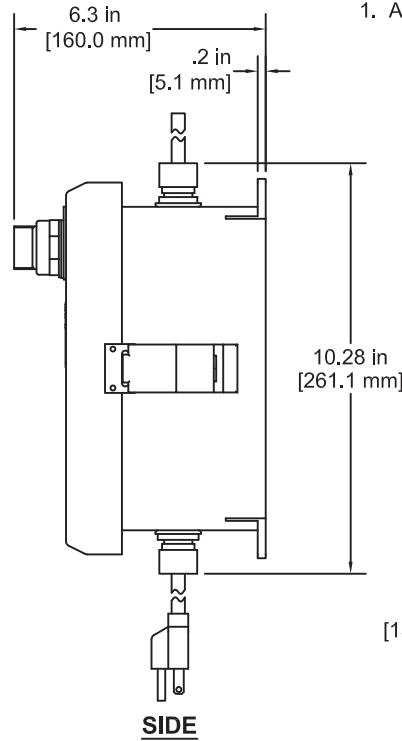
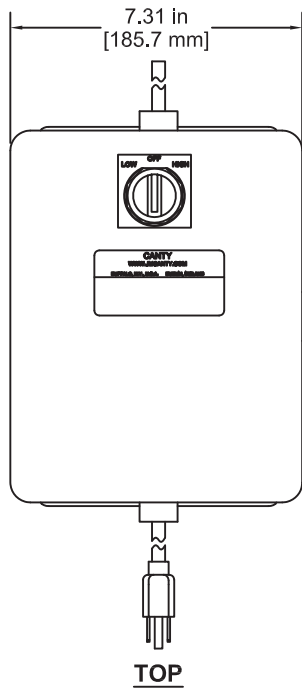
P/N	LC5422-1
MODEL	HYL 80-1CT-WP (120V)
INPUT VOLTAGE	120V AC, 50/60 Hz
OUTPUT VOLTAGE	21V AC (LOW) & 28V AC (HIGH)
POWER REQUIREMENT	80 VA
TIMER	30 SEC. TO 10 HRS.

**FEATURES**

- WEATHER PROOF POWER SUPPLY, NEMA 4X / IP66
- HIGH (28V) AND LOW (21V) LIGHT OUTPUT OPTIONS
- FULLY ADJUSTABLE SHUTOFF TIMER INCLUDED
- 16 ft. [4.8 m] PIGTAILED (FLYING LEAD) OUTPUT CABLE TO LIGHT SOURCE

**NOTES:**

1. ALL INFORMATION SUBJECT TO CHANGE WITHOUT NOTICE



<p>NOTICE</p> <p>THIS DRAWING IS THE PROPERTY OF J.M. CANTY AND MUST BE RETURNED WITHOUT REPRODUCTION OR DUPLICATION. AT ANY TIME UPON REQUEST, BUT IN ANY EVENT AS SOON AS IT HAS SERVED THE PURPOSE FOR WHICH IT WAS FURNISHED, WHILE IN THE POSSESSION OF THE RECIPIENT, IT MUST BE PROPERLY SAFEGUARDED AGAINST DISCLOSURE TO ANYONE EXCEPT THOSE EMPLOYEES WHO REQUIRE IT FOR WORK OR JOB. THE RECIPIENT MUST KEEP CONFIDENTIAL AND REQUIRE HIS (HER) EMPLOYEES TO KEEP CONFIDENTIAL THE INFORMATION CONTAINED HERE ON.</p>	<p>DRAWN BY</p> <p>GKW</p>	<p>DATE</p> <p>26-SEP-07</p>	<p>J.M. CANTY INC.</p> <p>6100 DONNER RD.</p> <p>BUFFALO, N.Y. 14094</p> <p>U.S.A.</p>	<p><b>CANTY</b></p> <p>WWW.JMCANTY.COM</p>	<p>J.M. CANTY INTL. LTD.</p> <p>BALLYCOOLIN BUS. PK.</p> <p>BLANCHARDSTOWN</p> <p>DUBLIN 15, IRELAND</p>
	<p>APPROVAL</p> <p>JD</p>	<p>DATE</p> <p>09-NOV-07</p>	<p>TITLE</p> <p>POWER SUPPLY SPECIFICATIONS,</p> <p>P/N LC5422-1, HYL 80-1CT-WP (120V)</p>		
	<p>ENGINEERING ANALYSIS</p> <p>CURRENT</p>	<p>DATE</p>	<p>SIZE</p> <p>C 0</p>	<p>REVISION</p>	<p>FILE NAME</p> <p>C10825</p>
	<p>MFG. APPROVAL</p> <p>PENDING</p>	<p>DATE</p>	<p>SCALE</p> <p>N.T.S.</p>		
	<p>QUALITY CONTROL</p> <p>I.O.A.</p>	<p>DATE</p>			