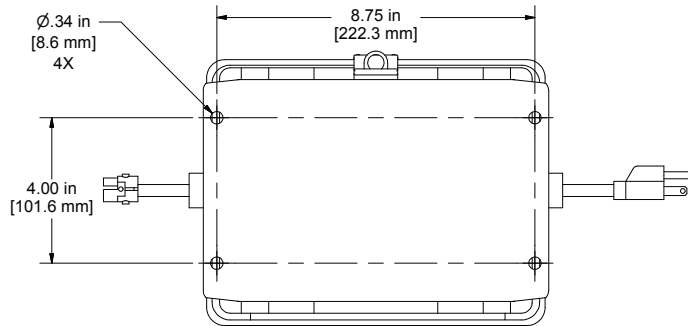
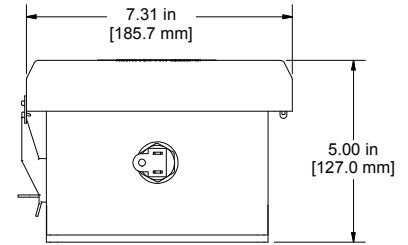
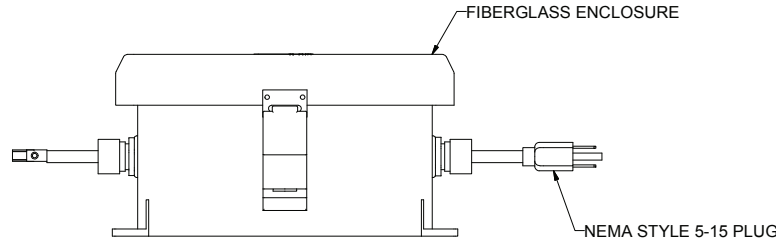
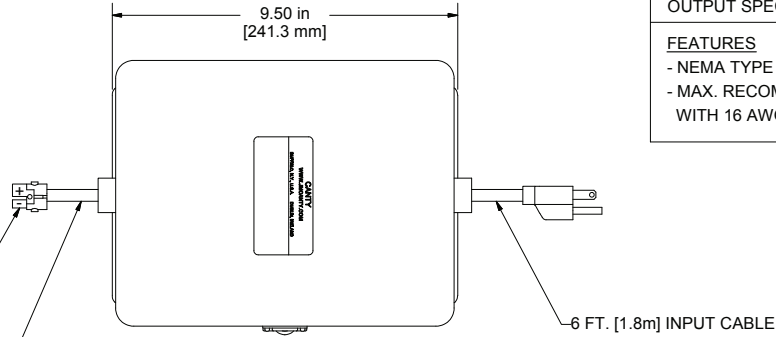


2 POLE REWIREABLE CONNECTOR.
MATING CONNECTOR SUPPLIED
WITH CAMERA.
MALE = +12V DC
FEMALE = 12V COM.

16 FT. [4.9m] 2 CONDUCTOR
PIGTAIL / FLYING LEAD OUTPUT



SPECIFICATIONS	
P/N	VC10454-100
MODEL	CAMERA PSU, NEMA 4X / IP66, 120V AC IN, 12V DC OUT
INPUT SPECIFICATIONS	100 - 240V AC, 50/60 Hz, .45A
OUTPUT SPECIFICATIONS	12 VDC, 1A MAX.
FEATURES	
- NEMA TYPE 4X / IP66 ENCLOSURE.	
- MAX. RECOMMENDED DISTANCE BETWEEN PSU AND CAMERA IS 100 FT. [30.5 m] WITH 16 AWG / 1.5mm ² SHIELDED WIRE.	

NOTES:

1. ALL INFORMATION IS SUBJECT TO CHANGE WITHOUT NOTICE.

NOTICE
THIS DRAWING IS THE PROPERTY OF J.M. CANTY AND MUST BE RETURNED WITHOUT REPRODUCTION OR DUPLICATION, AT ANY TIME UPON REQUEST, BUT IN ANY EVENT AS SOON AS IT HAS SERVED THE PURPOSE FOR WHICH IT WAS FURNISHED, WHILE IN THE POSSESSION OF THE RECIPIENT, IT MUST BE PROPERLY SAFEGUARDED AGAINST DISCLOSURE TO ANYONE EXCEPT THOSE EMPLOYEES WHO REQUIRE IT FOR WORK OR JOB. THE RECIPIENT MUST KEEP CONFIDENTIAL AND REQUIRE HIS (HER) EMPLOYEES TO KEEP CONFIDENTIAL THE INFORMATION CONTAINED HERE ON.

IMPORTANT
FOR THE REQUIRED
MANUFACTURING
SPECIFICATIONS SEE
DOCUMENT #A4955

**NOTE: FAILURE TO
RECEIVE DOCUMENT
DOES NOT WAIVE
VENDOR
RESPONSIBILITY**

DRAWN BY JD	DATE 08/24/07
APPROVAL JD	DATE 08/27/07
ENGINEERING ANALYSIS CURRENT	DATE
MFG. APPROVAL PENDING	DATE
QUALITY CONTROL I.O.A.	DATE

J.M. CANTY INC.
6100 DONNER RD.
BUFFALO, N.Y. 14094
U.S.A.

CANTY
WWW.JMCANTY.COM

J.M. CANTY INTL. LTD.
BALLYCOOLIN BUS. PK.
BLANCHARDSTOWN
DUBLIN 15, IRELAND

TITLE CAMERA POWER SUPPLY SPEC., P/N VC10454-100, NEMA 4X / IP66, 120V AC IN, 12V DC OUT	
SIZE / REVISION C 0	FILE NAME C10879
SCALE AS NOTED	SHEET 1 OF 1