

**SPECIFICATIONS**

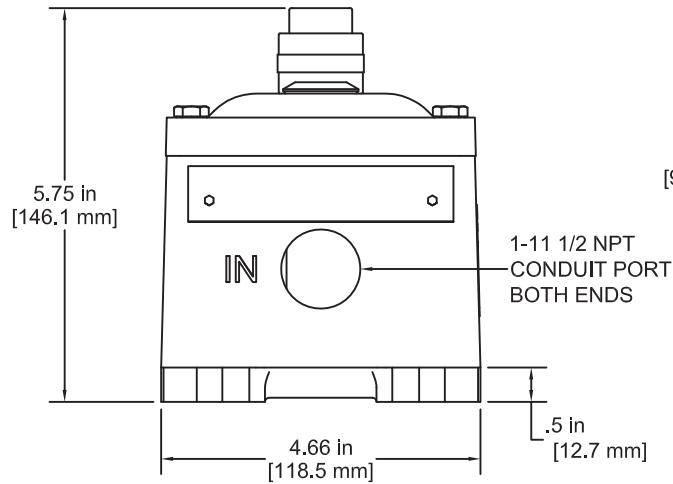
P/N	LC8350-1
MODEL	HYL 80-1CT-EXP (120V)
INPUT VOLTAGE	120V AC, 50/60 Hz
OUTPUT VOLTAGE	21V AC (LOW) & 28V AC (HIGH)
POWER REQUIREMENT	80 VA
TIMER	30 SEC. TO 10 HRS.

**FEATURES**

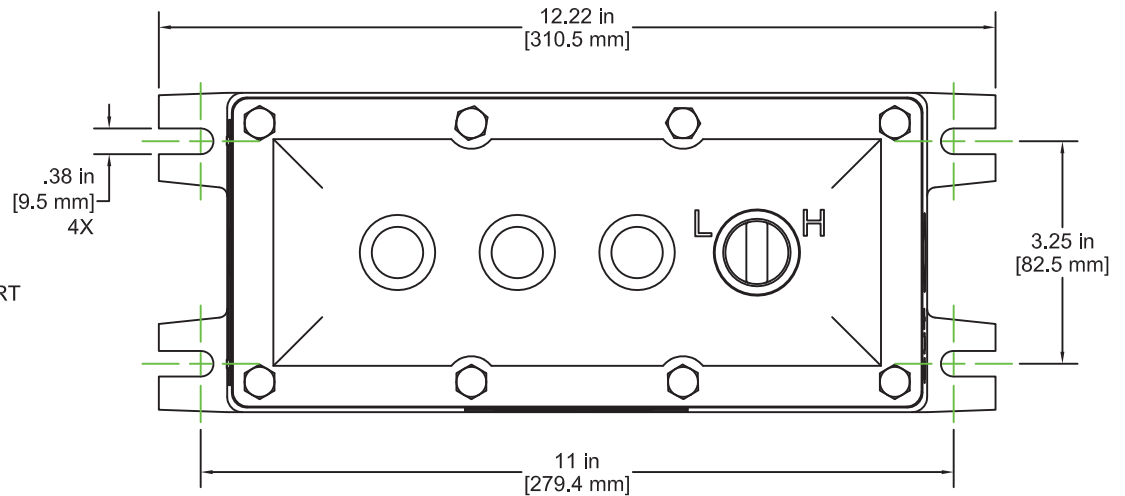
- CAST ALUMINUM HOUSING, EXPLOSION PROOF RATED, CLASS I, DIV. I, GROUPS C & D, CLASS II, DIV 1, GROUPS E, F & G
- HIGH (28V) AND LOW (21V) LIGHT OUTPUT OPTIONS
- 6 in. [15 cm] PIGTAILED (FLYING LEAD) INPUT, OUTPUT CONNECTIONS
- FULLY ADJUSTABLE SHUTOFF TIMER INCLUDED

**NOTES:**

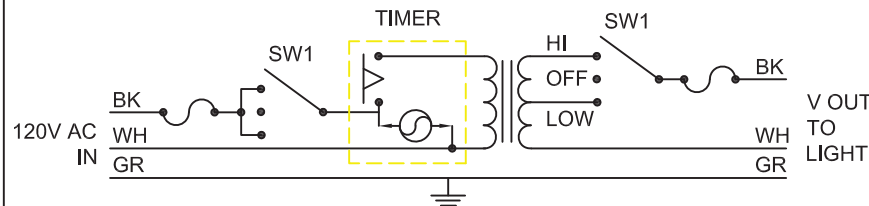
1. ALL INFORMATION SUBJECT TO CHANGE WITHOUT NOTICE



**FRONT**



**TOP**



**WIRING SCHEMATIC**

**NOTICE**  
THIS DRAWING IS THE PROPERTY OF J.M. CANTY AND MUST BE RETURNED WITHOUT REPRODUCTION OR DUPLICATION, AT ANY TIME UPON REQUEST, BUT IN ANY EVENT AS SOON AS IT HAS SERVED THE PURPOSE FOR WHICH IT WAS FURNISHED, WHILE IN THE POSSESSION OF THE RECIPIENT, IT MUST BE PROPERLY SAFEGUARDED AGAINST DISCLOSURE TO ANYONE EXCEPT THOSE EMPLOYEES WHO REQUIRE IT FOR WORK OR JOB. THE RECIPIENT MUST KEEP CONFIDENTIAL AND REQUIRE HIS (HER) EMPLOYEES TO KEEP CONFIDENTIAL THE INFORMATION CONTAINED HERE ON.

DRAWN BY	DATE
GKW	21-SEP-07
APPROVAL	DATE
JD	09-NOV-07
ENGINEERING ANALYSIS	DATE
CURRENT	
MFG. APPROVAL	DATE
PENDING	
QUALITY CONTROL	DATE
I.O.A.	

J.M. CANTY INC. 6100 DONNER RD. BUFFALO, N.Y. 14094 U.S.A.		<b>CANTY</b> WWW.JMCANTY.COM	J.M. CANTY INTL. LTD. BALLYCOOLIN BUS, PK. BLANCHARDSTOWN DUBLIN 15, IRELAND	
TITLE POWER SUPPLY SPECIFICATIONS, P/N LC8350-1, HYL 80-1CT-EXP (120V)				
SIZE	REVISION	FILE NAME		
C	0	C10909		
SCALE	N.T.S.		SHEET 1 OF 1	