

SPECIFICATIONS

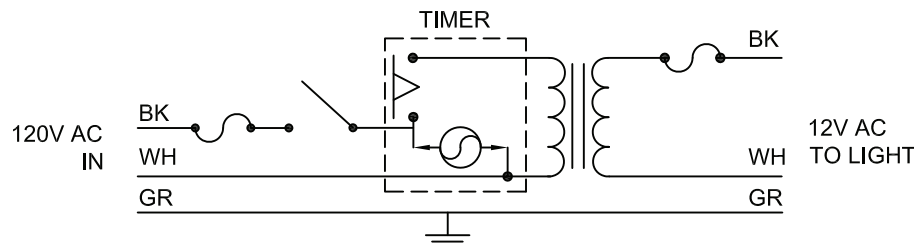
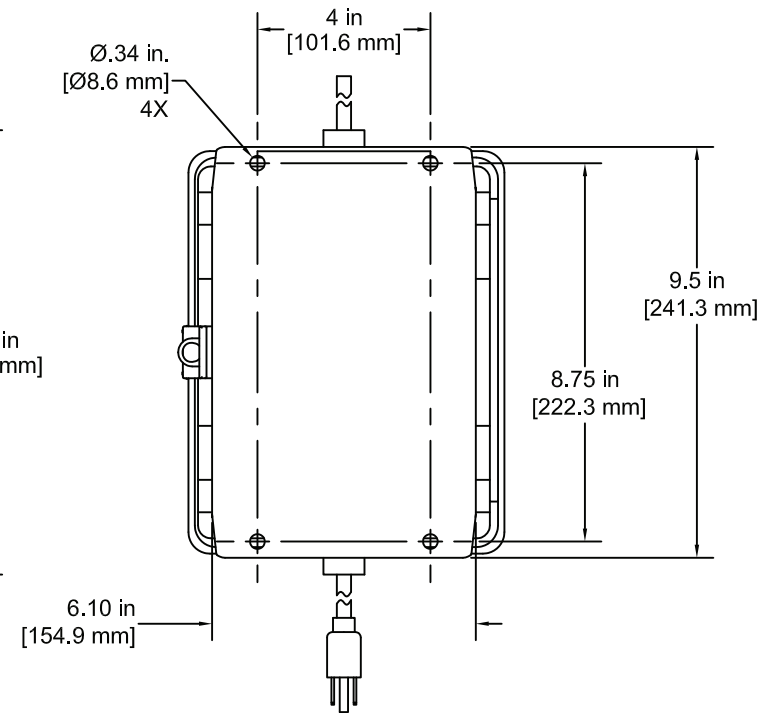
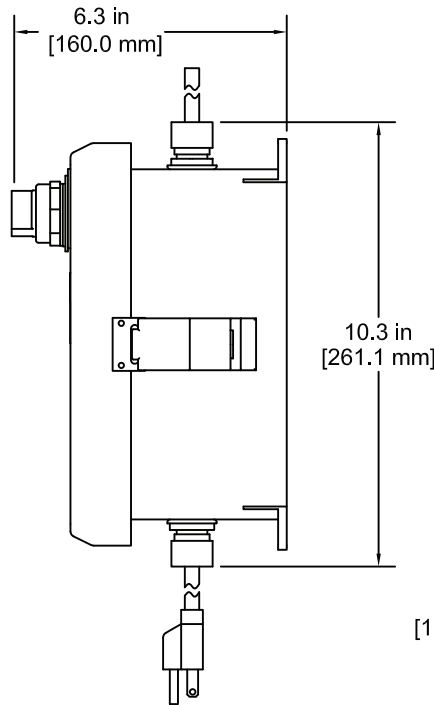
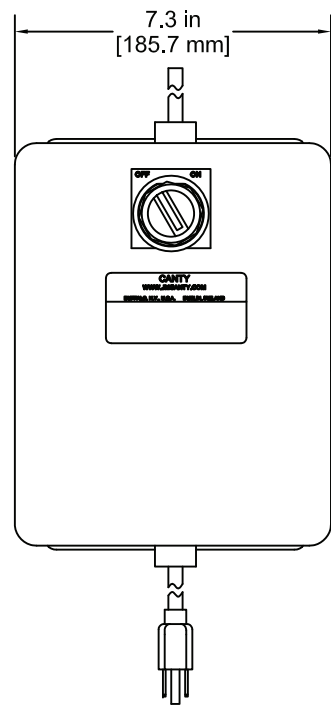
P/N	LC32701-3
MODEL	HYL 50-1CT-WP (120V)
INPUT VOLTAGE	120V AC, 50/60 Hz
OUTPUT VOLTAGE	12V AC
POWER REQUIREMENT	50 VA
TIMER	30 SEC. TO 10 HRS.

FEATURES

- WEATHER PROOF POWER SUPPLY, NEMA 4X / IP66
- 12V AC OUTPUT
- FULLY ADJUSTABLE SHUTOFF TIMER INCLUDED
- 16 ft. [4.8 m] PIGTAILED (FLYING LEAD) OUTPUT CABLE TO LIGHT SOURCE

NOTES:

1. ALL INFORMATION SUBJECT TO CHANGE WITHOUT NOTICE



WIRING SCHEMATIC

<p>NOTICE THIS DRAWING IS THE PROPERTY OF J.M. CANTY AND MUST BE RETURNED WITHOUT REPRODUCTION OR DUPLICATION, AT ANY TIME UPON REQUEST, BUT IN ANY EVENT AS SOON AS IT HAS SERVED THE PURPOSE FOR WHICH IT WAS FURNISHED, WHILE IN THE POSSESSION OF THE RECIPIENT, IT MUST BE PROPERLY SAFEGUARDED AGAINST DISCLOSURE TO ANYONE EXCEPT THOSE EMPLOYEES WHO REQUIRE IT FOR WORK OR JOB. THE RECIPIENT MUST KEEP CONFIDENTIAL AND REQUIRE HIS (HER) EMPLOYEES TO KEEP CONFIDENTIAL THE INFORMATION CONTAINED HERE ON.</p>	DRAWN BY	DATE	<p>J.M. CANTY INC. 6100 DONNER RD. BUFFALO, N.Y. 14094 U.S.A.</p>	<p>CANTY WWW.JMCANTY.COM</p>	<p>J.M. CANTY INTL. LTD. BALLYCOOLIN BUS, PK. BLANCHARDSTOWN DUBLIN 15, IRELAND</p>	
	APPROVAL	DATE				
	ENGINEERING ANALYSIS	DATE	<p>TITLE POWER SUPPLY SPECIFICATIONS, P/N LC32701-3, HYL 50 SERIES</p>			
	MFG. APPROVAL	DATE	SIZE	REVISION	FILE NAME	
	PENDING	DATE	C	0	C10924	
QUALITY CONTROL	DATE	SCALE		SHEET 1 OF 1		
I.O.A.		N.T.S.				