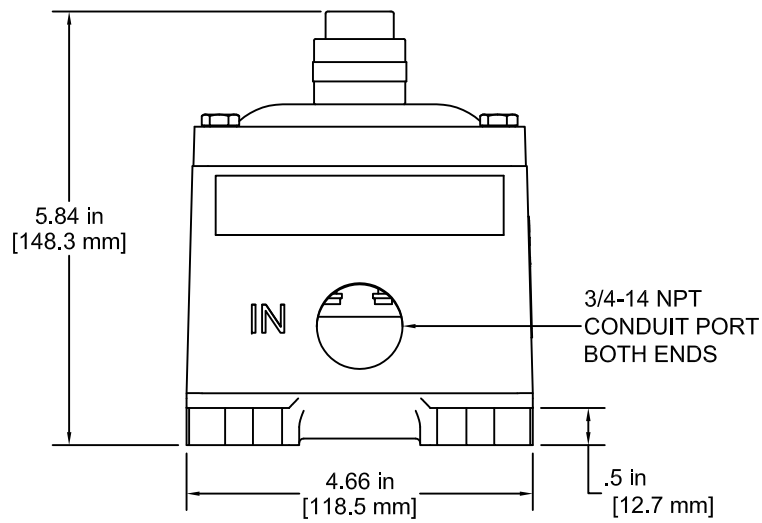


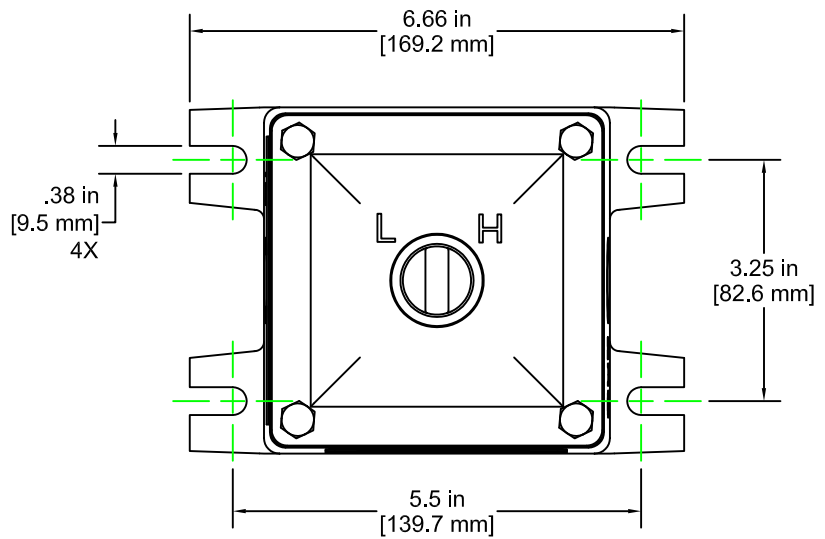
SPECIFICATIONS	
P/N	LC8380-1
MODEL	HYL 80-1C-EXP (120V)
INPUT VOLTAGE	120V AC, 50/60 Hz
OUTPUT VOLTAGE	120V AC
POWER REQUIREMENT	80 VA
TIMER	NO

- FEATURES**
- CAST ALUMINUM HOUSING, EXPLOSION PROOF RATED, CLASS I, DIV. I, GROUPS C & D, CLASS II, DIV 1, GROUPS E, F & G
 - HIGH & LOW SWITCH OPTIONS FOR CONTROL OF LIGHT INTENSITY
 - 6 in. [15 cm] PIGTAILED (FLYING LEAD) INPUT, OUTPUT CONNECTIONS

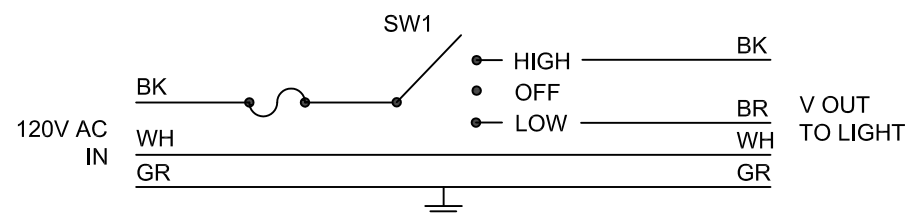
NOTES:
1. ALL INFORMATION SUBJECT TO CHANGE WITHOUT NOTICE



FRONT



TOP



WIRING SCHEMATIC

<p>NOTICE THIS DRAWING IS THE PROPERTY OF J.M. CANTY AND MUST BE RETURNED WITHOUT REPRODUCTION OR DUPLICATION, AT ANY TIME UPON REQUEST, BUT IN ANY EVENT AS SOON AS IT HAS SERVED THE PURPOSE FOR WHICH IT WAS FURNISHED, WHILE IN THE POSSESSION OF THE RECIPIENT, IT MUST BE PROPERLY SAFEGUARDED AGAINST DISCLOSURE TO ANYONE EXCEPT THOSE EMPLOYEES WHO REQUIRE IT FOR WORK OR JOB. THE RECIPIENT MUST KEEP CONFIDENTIAL AND REQUIRE HIS (HER) EMPLOYEES TO KEEP CONFIDENTIAL THE INFORMATION CONTAINED HERE ON.</p>	DRAWN BY GKW	DATE 28-SEP-07	<p>J.M. CANTY INC. 6100 DONNER RD. BUFFALO, N.Y. 14094 U.S.A.</p>	<p>CANTY WWW.JMCANTY.COM</p>	<p>J.M. CANTY INTL. LTD. BALLYCOOLIN BUS. PK. BLANCHARDSTOWN DUBLIN 15, IRELAND</p>
	APPROVAL JD	DATE 09-NOV-07			
	ENGINEERING ANALYSIS CURRENT	DATE	<p>TITLE POWER SUPPLY SPECIFICATIONS, P/N LC8380-1, MODEL HYL 80-1C-EXP (120V)</p>		
	MFG. APPROVAL PENDING	DATE	SIZE C 1	<p>FILE NAME C10925</p>	
QUALITY CONTROL I.O.A.	DATE	SCALE N.T.S.	<p>SHEET 1 OF 1</p>		