



**SPECIFICATIONS**

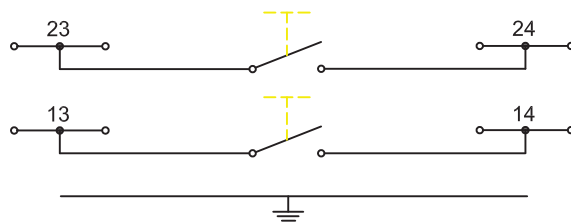
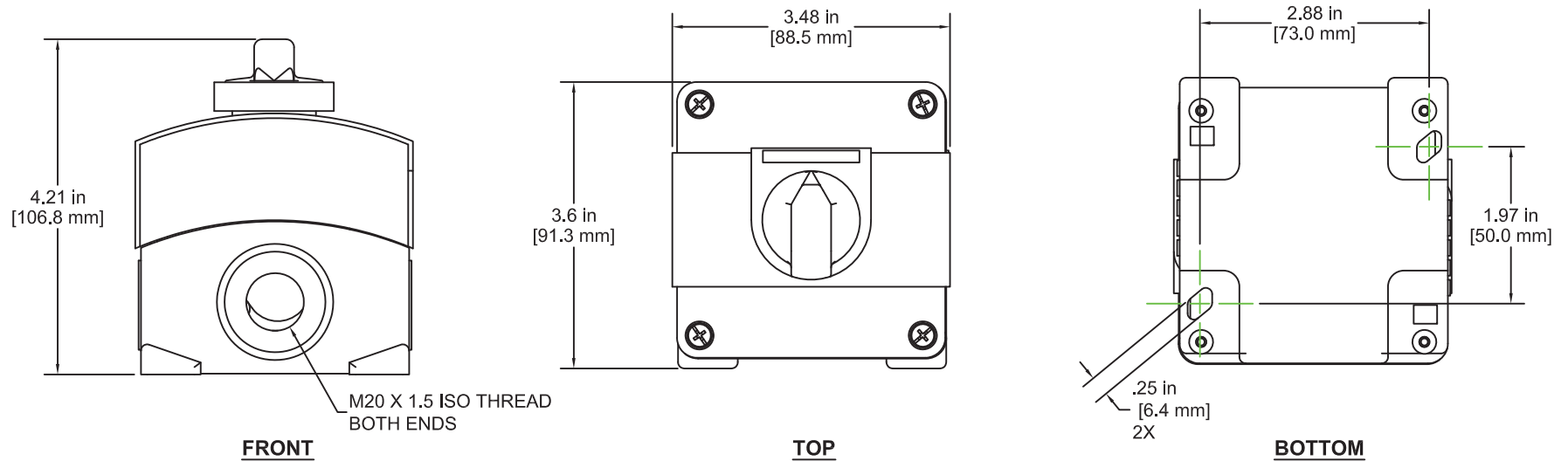
P/N	L721-2
MODEL	HYL 80-1C-FP (230V)
INPUT VOLTAGE	230V AC, 50/60 Hz
OUTPUT VOLTAGE	230V AC
POWER REQUIREMENT	80 VA
TIMER	NO

**FEATURES**

- THERMO PLASTIC HOUSING, FLAME PROOF RATED, EEx edm IIC T6
- HIGH & LOW SWITCH OPTIONS FOR CONTROL OF LIGHT INTENSITY
- INTERNAL 2.5 mm<sup>2</sup> SCREW TERMINATIONS

**NOTES:**

1. ALL INFORMATION SUBJECT TO CHANGE WITHOUT NOTICE



**WIRING SCHEMATIC**

<p><b>NOTICE</b> THIS DRAWING IS THE PROPERTY OF J.M. CANTY AND MUST BE RETURNED WITHOUT REPRODUCTION OR DUPLICATION, AT ANY TIME UPON REQUEST, BUT IN ANY EVENT AS SOON AS IT HAS SERVED THE PURPOSE FOR WHICH IT WAS FURNISHED, WHILE IN THE POSSESSION OF THE RECIPIENT, IT MUST BE PROPERLY SAFEGUARDED AGAINST DISCLOSURE TO ANYONE EXCEPT THOSE EMPLOYEES WHO REQUIRE IT FOR WORK OR JOB. THE RECIPIENT MUST KEEP CONFIDENTIAL AND REQUIRE HIS (HER) EMPLOYEES TO KEEP CONFIDENTIAL THE INFORMATION CONTAINED HERE ON.</p>	<p>DRAWN BY GKW</p>	<p>DATE 02-OCT-07</p>	<p>J.M. CANTY INC. 6100 DONNER RD. BUFFALO, N.Y. 14094 U.S.A.</p>	<p><b>CANTY</b> WWW.JMCANTY.COM</p>	<p>J.M. CANTY INTL. LTD. BALLYCOOLIN BUS, PK. BLANCHARDSTOWN DUBLIN 15, IRELAND</p>	
	<p>APPROVAL JD</p>	<p>DATE 09-NOV-07</p>	<p>TITLE <b>POWER SUPPLY SPECIFICATIONS, P/N L721-2, MODEL HYL 80-1C-FP (230V)</b></p>			
	<p>ENGINEERING ANALYSIS CURRENT</p>	<p>DATE</p>	<p>SIZE REVISION C 0</p>			
	<p>MFG. APPROVAL PENDING</p>	<p>DATE</p>	<p>FILE NAME C10927</p>			
	<p>QUALITY CONTROL I.O.A.</p>	<p>DATE</p>	<p>SCALE N.T.S.</p>			