

TERMINAL BLOCK	
POSITION	FUNCTION
1	230V AC (L) INPUT
2	230V AC (N) INPUT
3	EARTH INPUT
4	NO CONNECTION
5	28V AC (L) OUTPUT
6	28V AC (N) OUTPUT
7	EARTH OUTPUT

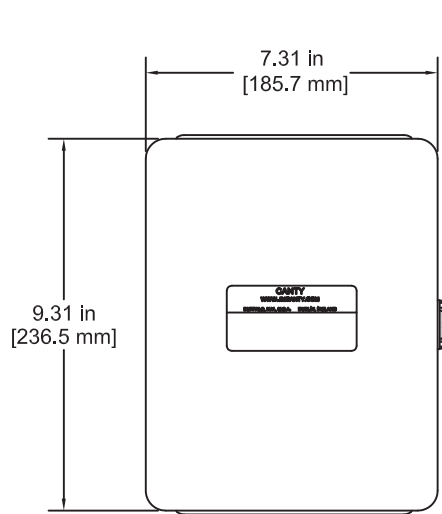
SPECIFICATIONS	
P/N	LC10228-100
MODEL	HYL 80-1CT-IP (230V)
INPUT VOLTAGE	230V AC, 50/60 Hz
OUTPUT VOLTAGE	28V AC
POWER REQUIREMENT	80 VA
TIMER	NO

FEATURES

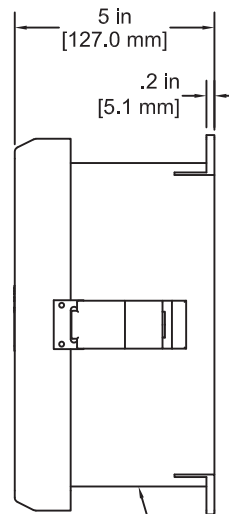
- FIBERGLASS ENCLOSURE, WEATHER PROOF RATED, NEMA 4X / IP66
- INTERNAL TERMINAL BLOCK FOR INPUT, OUTPUT CONNECTIONS

NOTES:

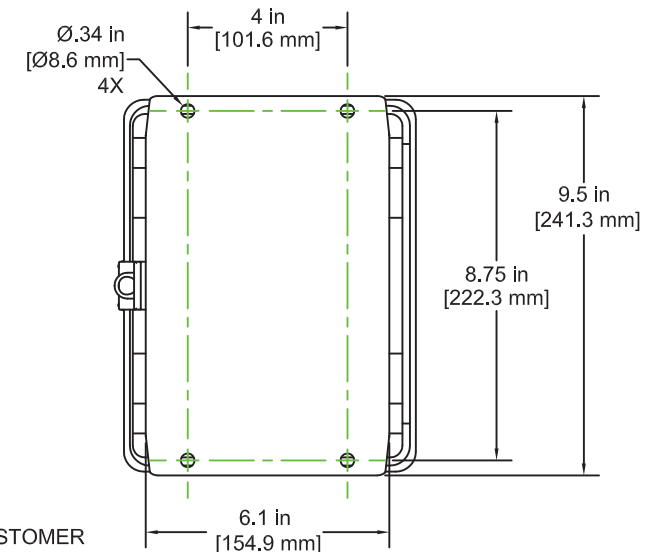
1. ALL INFORMATION SUBJECT TO CHANGE WITHOUT NOTICE



TOP

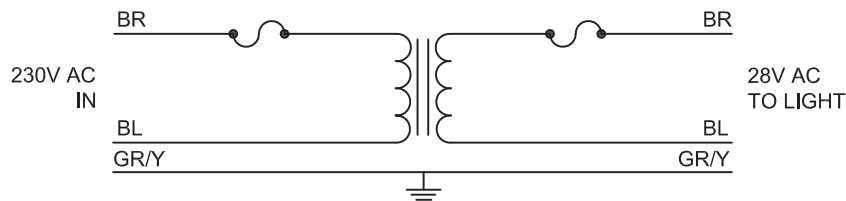


SIDE



BOTTOM

Ø.78 [19.8 mm]
THRU HOLE BOTH ENDS, CUSTOMER
MUST PROVIDE INPUT, OUTPUT
CABLES INCLUDING APPROPRIATE
CABLE SEALS.



WIRING SCHEMATIC

NOTICE
THIS DRAWING IS THE PROPERTY OF J.M. CANTY AND MUST BE RETURNED WITHOUT REPRODUCTION OR DUPLICATION, AT ANY TIME UPON REQUEST, BUT IN ANY EVENT AS SOON AS IT HAS SERVED THE PURPOSE FOR WHICH IT WAS FURNISHED, WHILE IN THE POSSESSION OF THE RECIPIENT, IT MUST BE PROPERLY SAFEGUARDED AGAINST DISCLOSURE TO ANYONE EXCEPT THOSE EMPLOYEES WHO REQUIRE IT FOR WORK OR JOB. THE RECIPIENT MUST KEEP CONFIDENTIAL AND REQUIRE HIS (HER) EMPLOYEES TO KEEP CONFIDENTIAL THE INFORMATION CONTAINED HERE ON.

DRAWN BY	DATE
GKW	17-OCT-07
APPROVAL	DATE
JD	17-OCT-07
ENGINEERING ANALYSIS	DATE
CURRENT	
MFG. APPROVAL	DATE
PENDING	
QUALITY CONTROL	DATE
I.O.A.	

J.M. CANTY INC. 6100 DONNER RD. BUFFALO, N.Y. 14094 U.S.A.	CANTY WWW.JMCANTY.COM	J.M. CANTY INTL. LTD. BALLYCOOLIN BUS, PK. BLANCHARDSTOWN DUBLIN 15, IRELAND
TITLE POWER SUPPLY SPECIFICATIONS, P/N LC10228-100, MODEL HYL 80-1CT-IP (230V)		
SIZE	REVISION	FILE NAME
C	0	C10933
SCALE	N.T.S.	SHEET 1 OF 1