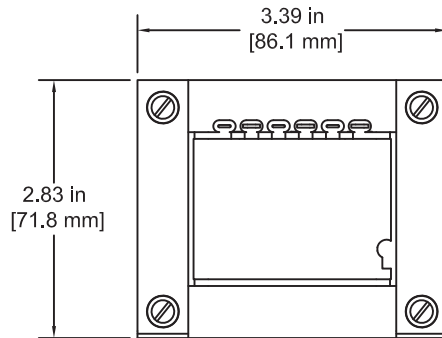
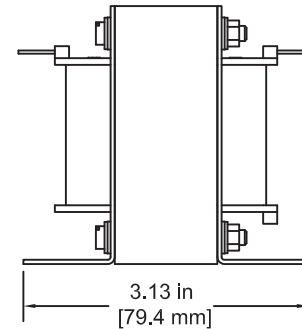


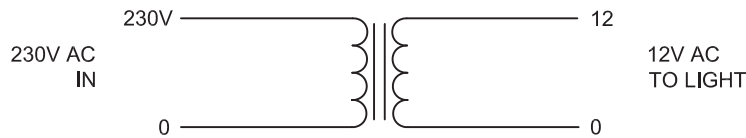
TOP



FRONT



SIDE



WIRING SCHEMATIC

SPECIFICATIONS

P/N	L050-1
MODEL	HYL 50-1OEM (230V)
INPUT VOLTAGE	230V AC, 50/60 Hz
OUTPUT VOLTAGE	12V AC
POWER REQUIREMENT	50 VA
TIMER	NO

FEATURES

- CHASSIS MOUNT POWER SUPPLY, NEMA UNRATED / IP00
- CONNECTION TYPE = 3/16" MALE QUICK CONNECT TABS
- TIMER NOT AVAILABLE

NOTES:

1. ALL INFORMATION SUBJECT TO CHANGE WITHOUT NOTICE

NOTICE
THIS DRAWING IS THE PROPERTY OF J.M. CANTY AND MUST BE RETURNED WITHOUT REPRODUCTION OR DUPLICATION, AT ANY TIME UPON REQUEST, BUT IN ANY EVENT AS SOON AS IT HAS SERVED THE PURPOSE FOR WHICH IT WAS FURNISHED, WHILE IN THE POSSESSION OF THE RECIPIENT, IT MUST BE PROPERLY SAFEGUARDED AGAINST DISCLOSURE TO ANYONE EXCEPT THOSE EMPLOYEES WHO REQUIRE IT FOR WORK OR JOB. THE RECIPIENT MUST KEEP CONFIDENTIAL AND REQUIRE HIS (HER) EMPLOYEES TO KEEP CONFIDENTIAL THE INFORMATION CONTAINED HERE ON.

DRAWN BY GKW	DATE 31-OCT-07
APPROVAL JD	DATE 09-NOV-07
ENGINEERING ANALYSIS CURRENT	DATE
MFG. APPROVAL PENDING	DATE
QUALITY CONTROL I.O.A.	DATE

J.M. CANTY INC. 6100 DONNER RD. BUFFALO, N.Y. 14094 U.S.A.	CANTY WWW.JMCANTY.COM	J.M. CANTY INTL. LTD. BALLYCOOLIN BUS, PK. BLANCHARDSTOWN DUBLIN 15, IRELAND
TITLE POWER SUPPLY SPECIFICATIONS, P/N L050-1, MODEL HYL 50-1OEM (230V)		
SIZE C	REVISION 0	FILE NAME C10946
SCALE N.T.S.	SHEET 1 OF 1	