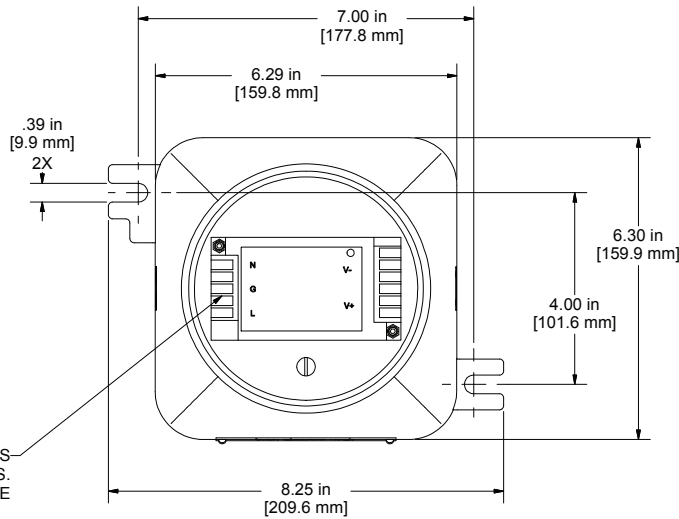
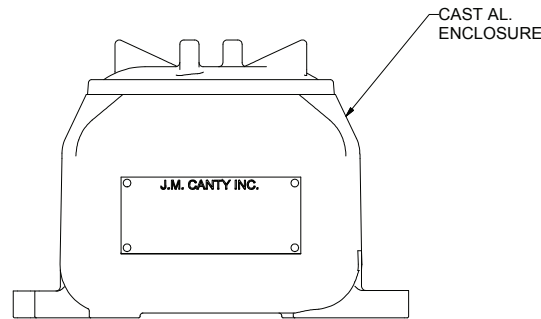


SCALE 3 / 8

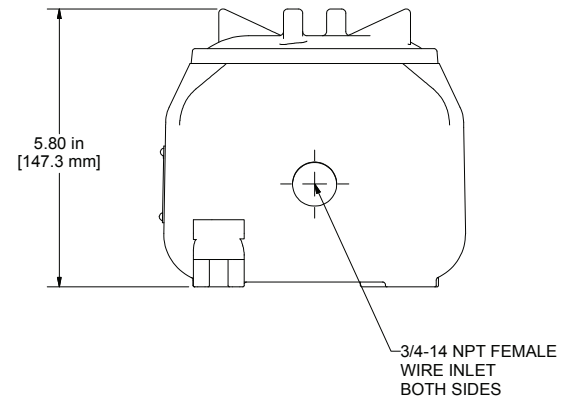


SPRING LOADED SCREW TERMINALS FOR INPUT, OUTPUT CONNECTIONS. 16 AWG. MAX. WIRE

TOP VIEW - COVER REMOVED



SCALE 1 / 2



SPECIFICATIONS

P/N	VC9440-200
MODEL	CAMERA PSU, EXP, NEMA 4 / 7, 120V AC IN, 12V DC OUT
INPUT SPECIFICATIONS	100-240V AC, 50/60 Hz, .45 A
OUTPUT SPECIFICATIONS	12 VDC, 1A MAX.

FEATURES

- EXPLOSION PROOF CLASS I, DIV. 1, GROUPS B, C & D.
- NEMA TYPE 4.
- MAX. RECOMMENDED DISTANCE BETWEEN PSU AND CAMERA IS 100 FT. [30.5 m] WITH 16 AWG / 1.5mm<sup>2</sup> SHIELDED WIRE.

NOTES:

1. ALL INFORMATION IS SUBJECT TO CHANGE WITHOUT NOTICE.

2. INPUT CONNECTIONS:

- L = LIVE (HOT) AC INPUT
- N = NEUTRAL (COM) AC INPUT
- G = EARTH GROUND INPUT

3. OUTPUT CONNECTIONS:

- V+ = +12V DC
- V- = 12V DC COM.

**NOTICE**  
THIS DRAWING IS THE PROPERTY OF J.M. CANTY AND MUST BE RETURNED WITHOUT REPRODUCTION OR DUPLICATION, AT ANY TIME UPON REQUEST, BUT IN ANY EVENT AS SOON AS IT HAS SERVED THE PURPOSE FOR WHICH IT WAS FURNISHED, WHILE IN THE POSSESSION OF THE RECIPIENT, IT MUST BE PROPERLY SAFEGUARDED AGAINST DISCLOSURE TO ANYONE EXCEPT THOSE EMPLOYEES WHO REQUIRE IT FOR WORK OR JOB. THE RECIPIENT MUST KEEP CONFIDENTIAL AND REQUIRE HIS (HER) EMPLOYEES TO KEEP CONFIDENTIAL THE INFORMATION CONTAINED HERE ON.

**IMPORTANT**  
FOR THE REQUIRED MANUFACTURING SPECIFICATIONS SEE DOCUMENT #A4955

**NOTE: FAILURE TO RECEIVE DOCUMENT DOES NOT WAIVE VENDOR RESPONSIBILITY**

DRAWN BY	DATE
JD	11/20/07
APPROVAL	DATE
JD	11/20/07
ENGINEERING ANALYSIS	DATE
CURRENT	
MFG. APPROVAL	DATE
PENDING	
QUALITY CONTROL	DATE
I.O.A.	

J.M. CANTY INC.  
6100 DONNER RD.  
BUFFALO, N.Y. 14094  
U.S.A.

**CANTY**

WWW.JMCANTY.COM

J.M. CANTY INTL. LTD.  
BALLYCOOLIN BUS. PK.  
BLANCHARDSTOWN  
DUBLIN 15, IRELAND

TITLE  
**CAMERA POWER SUPPLY SPEC., P/N VC9440-200, EXP, NEMA 4 / 7, 120V AC IN, 12V DC OUT**

SIZE / REVISION  
**C 0**

FILE NAME  
**C10965**

SCALE AS NOTED

SHEET 1 OF 1