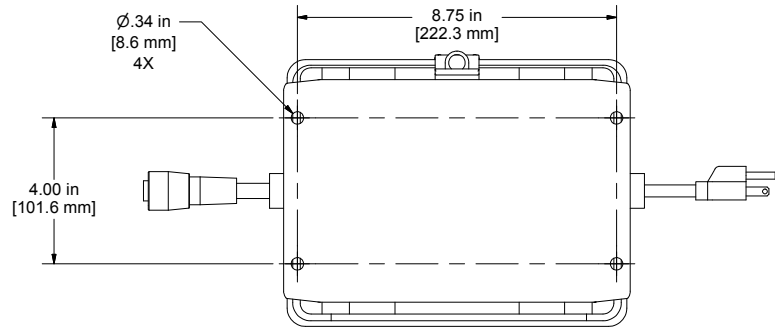
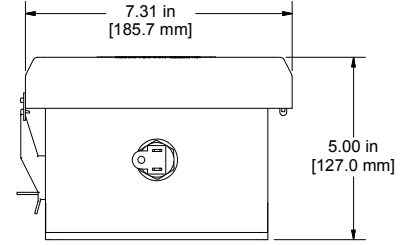
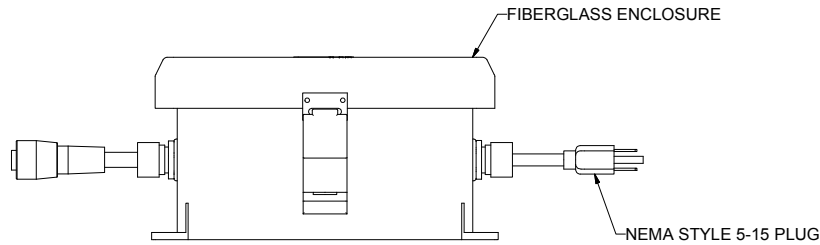
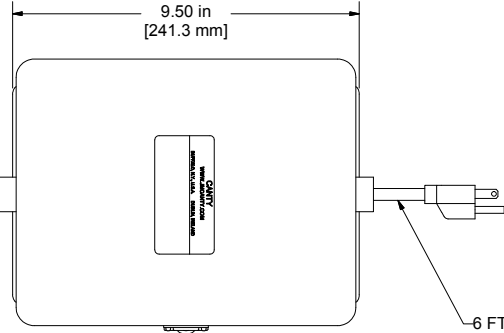


2 POLE MOLDED CONNECTOR.
MATING CONNECTOR SUPPLIED
ON CAMERA HOUSING. 12V DC
CONNECTION NEMA 1,3,4,6P / IP67

16 FT. [5m] 2 CONDUCTOR
MOLDED LEAD OUTPUT



SPECIFICATIONS	
P/N	VC10454-130
MODEL	CAMERA PSU, NEMA 4X/IP66, 120/230V AC IN, 12V DC
INPUT SPECIFICATIONS	100 - 240V AC, 50/60 Hz, .45A
OUTPUT SPECIFICATIONS	12 VDC, 1A MAX.
FEATURES	
- NEMA TYPE 4X / IP66 ENCLOSURE.	
- MAX. RECOMMENDED DISTANCE BETWEEN PSU AND CAMERA IS 100 FT. [30.5 m]	
- MOLDED CORD END NEMA 1,3,4,6P / IEC IP67	

- NOTES:**
- ALL INFORMATION IS SUBJECT TO CHANGE WITHOUT NOTICE.
 - APPROXIMATE WEIGHT 5 lb. [2.3 kg].

NOTICE
THIS DRAWING IS THE PROPERTY OF J.M. CANTY AND MUST BE RETURNED WITHOUT REPRODUCTION OR DUPLICATION. AT ANY TIME UPON REQUEST, BUT IN ANY EVENT AS SOON AS IT HAS SERVED THE PURPOSE FOR WHICH IT WAS FURNISHED. WHILE IN THE POSSESSION OF THE RECIPIENT, IT MUST BE PROPERLY SAFEGUARDED AGAINST DISCLOSURE TO ANYONE EXCEPT THOSE EMPLOYEES WHO REQUIRE IT FOR WORK OR JOB. THE RECIPIENT MUST KEEP CONFIDENTIAL AND REQUIRE HIS (HER) EMPLOYEES TO KEEP CONFIDENTIAL THE INFORMATION CONTAINED HERE ON.

IMPORTANT
FOR THE REQUIRED MANUFACTURING SPECIFICATIONS SEE DOCUMENT #A4955

NOTE: FAILURE TO RECEIVE DOCUMENT DOES NOT WAIVE VENDOR RESPONSIBILITY

DRAWN BY	MFR	DATE	24-Aug-07
APPROVAL	MFR	DATE	17-Jun-10
ENGINEERING ANALYSIS	CURRENT	DATE	
MFG. APPROVAL	PENDING	DATE	
QUALITY CONTROL	I.O.A.	DATE	

J.M. CANTY INC. 6100 DONNER RD. BUFFALO, N.Y. 14094 U.S.A.		CANTY WWW.JMCANTY.COM		J.M. CANTY INTL. LTD. BALLYCOOLIN BUS. PK. BLANCHARDSTOWN DUBLIN 15, IRELAND	
TITLE CAMERA POWER SUPPLY SPEC., P/N VC10454-130, NEMA 4X / IP66, 120V/230 AC, 12V DC OUT					
REVISION 0		FILE NAME C11391			
SCALE	AS NOTED	SIZE	C	SHEET	1 OF 1