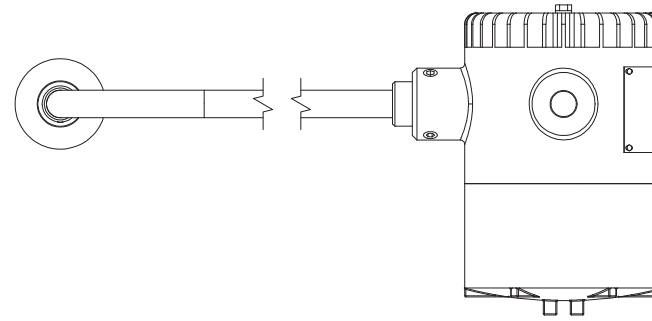
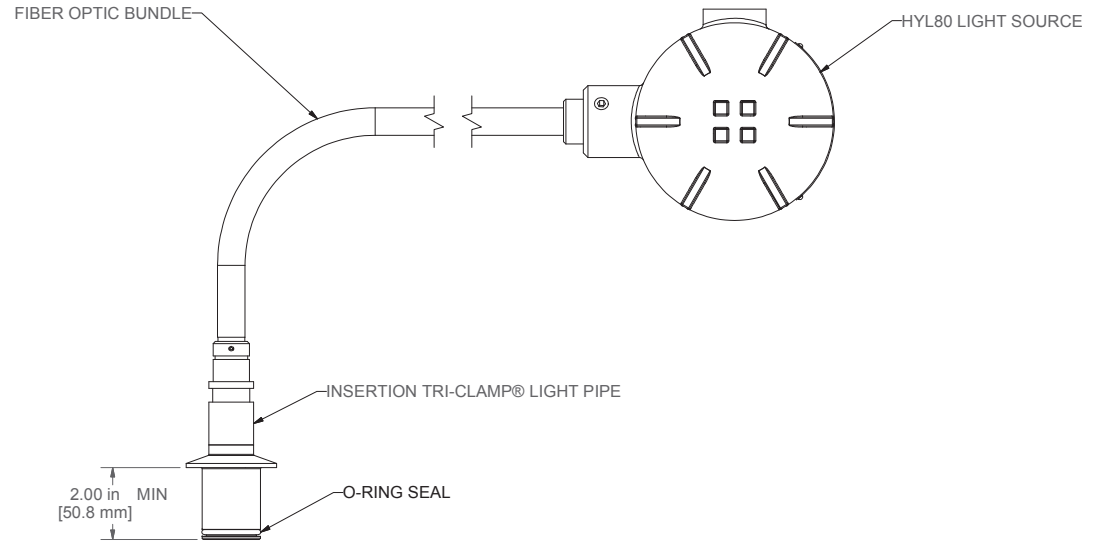


SCALE 3 / 8



TOP VIEW



SIDE VIEW
SCALE 3 / 8

NOTES:

1. AVAILABLE WETTED MATERIALS: 316L S.S., HASTELLOY® C276 OR EQUAL, HASTELLOY® C-22® OR EQUAL, AND BORO PLUS GLASS.
2. NON-WETTED MATERIALS: 316L S.S., 304 S.S., AND ANODIZED ALUMINUM.
3. LIGHT PIPE RATED FOR 150 PSI @ 450°F - ACTUAL PRESSURE DETERMINED BY THE CLAMP USED. ACTUAL TEMPERATURE DETERMINED BY THE O-RING MATERIAL USED.
4. BUNDLE'S FLEXIBLE PORTION IS 24" TO 144" AVAILABLE IN 12" INCREMENTS.

NOTICE

THIS DRAWING IS THE PROPERTY OF J.M. CANTY AND MUST BE RETURNED WITHOUT REPRODUCTION OR DUPLICATION, AT ANY TIME UPON REQUEST, BUT IN ANY EVENT AS SOON AS IT HAS SERVED THE PURPOSE FOR WHICH IT WAS FURNISHED, WHILE IN THE POSSESSION OF THE RECIPIENT, IT MUST BE PROPERLY SAFEGUARDED AGAINST DISCLOSURE TO ANYONE EXCEPT THOSE EMPLOYEES WHO REQUIRE IT FOR WORK OR JOB. THE RECIPIENT MUST KEEP CONFIDENTIAL AND REQUIRE HIS (HER) EMPLOYEES TO KEEP CONFIDENTIAL THE INFORMATION CONTAINED HERE ON.

IMPORTANT
FOR THE REQUIRED
MANUFACTURING
SPECIFICATIONS SEE
DOCUMENT #A4955

**NOTE: FAILURE TO
RECEIVE DOCUMENT
DOES NOT WAIVE
VENDOR
RESPONSIBILITY**

DRAWN BY RFM	DATE 21-Sep-07
APPROVAL RFM	DATE 21-Sep-07
ENGINEERING ANALYSIS CURRENT	DATE
MFG. APPROVAL PENDING	DATE
QUALITY CONTROL I.O.A.	DATE

J.M. CANTY INC. 6100 DONNER RD. BUFFALO, N.Y. 14094 U.S.A.	
WWW.JMCANTY.COM	
TITLE HYL80 WITH FLEX BUNDLE AND INSERTION TRI-CLAMP O-RING SEALED LIGHT PIPE	
SIZE REVISION C 0	FILE NAME LC9889-250
SCALE AS NOTED	

CANTY	J.M. CANTY INTL. LTD. BALLYCOOLIN BUS. PK. BLANCHARDSTOWN DUBLIN 15, IRELAND
	SHEET 1 OF 1