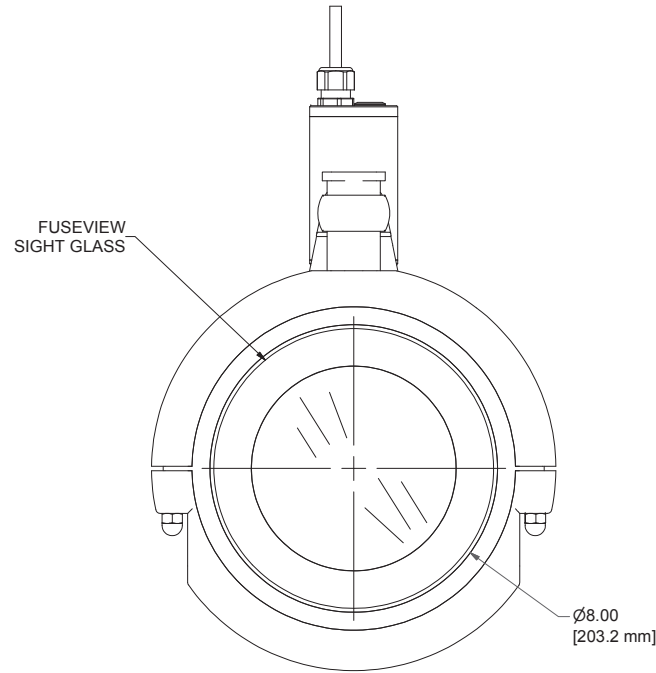
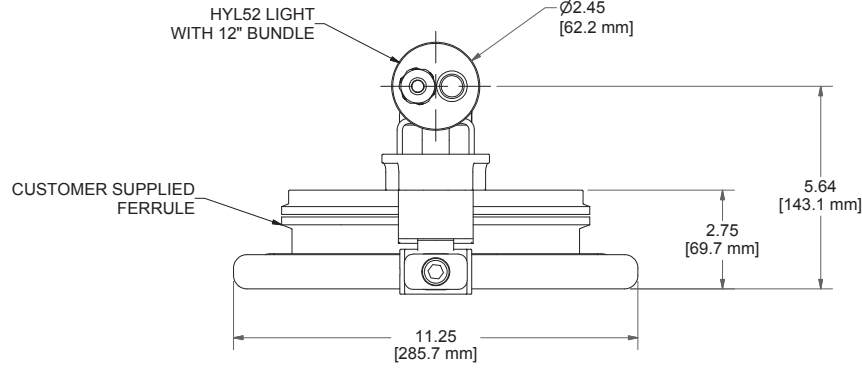
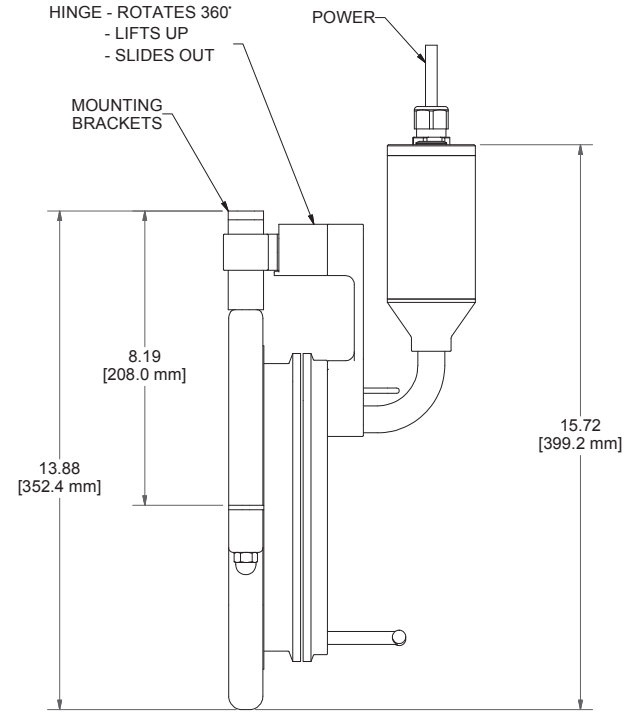


SCALE 1 / 4



BOTTOM VIEW
SCALE 3 / 8



NOTICE
THIS DRAWING IS THE PROPERTY OF J.M. CANTY AND MUST BE RETURNED WITHOUT REPRODUCTION OR DUPLICATION, AT ANY TIME UPON REQUEST, BUT IN ANY EVENT AS SOON AS IT HAS SERVED THE PURPOSE FOR WHICH IT WAS FURNISHED, WHILE IN THE POSSESSION OF THE RECIPIENT, IT MUST BE PROPERLY SAFEGUARDED AGAINST DISCLOSURE TO ANYONE EXCEPT THOSE EMPLOYEES WHO REQUIRE IT FOR WORK OR JOB. THE RECIPIENT MUST KEEP CONFIDENTIAL AND REQUIRE HIS (HER) EMPLOYEES TO KEEP CONFIDENTIAL THE INFORMATION CONTAINED HERE ON.

IMPORTANT
FOR THE REQUIRED MANUFACTURING SPECIFICATIONS SEE DOCUMENT #A4955

NOTE: FAILURE TO RECEIVE DOCUMENT DOES NOT WAIVE VENDOR RESPONSIBILITY

DRAWN BY	RFM	DATE	01-Aug-05
APPROVAL	RFM	DATE	01-Aug-05
ENGINEERING ANALYSIS	CURRENT	DATE	01-Aug-05
MFG. APPROVAL	PENDING	DATE	
QUALITY CONTROL	I.O.A.	DATE	

J.M. CANTY INC.
6100 DONNER RD.
BUFFALO, N.Y. 14094
U.S.A.

CANTY

WWW.JMCANTY.COM

J.M. CANTY INTL. LTD.
BALLYCOOLIN BUS. PK.
BLANCHARDSTOWN
DUBLIN 15, IRELAND

TITLE
8" TRIPORT SALES DETAIL

SIZE / REVISION
C 0

FILE NAME
SC10314-610

SCALE AS NOTED

SHEET 1 OF 1