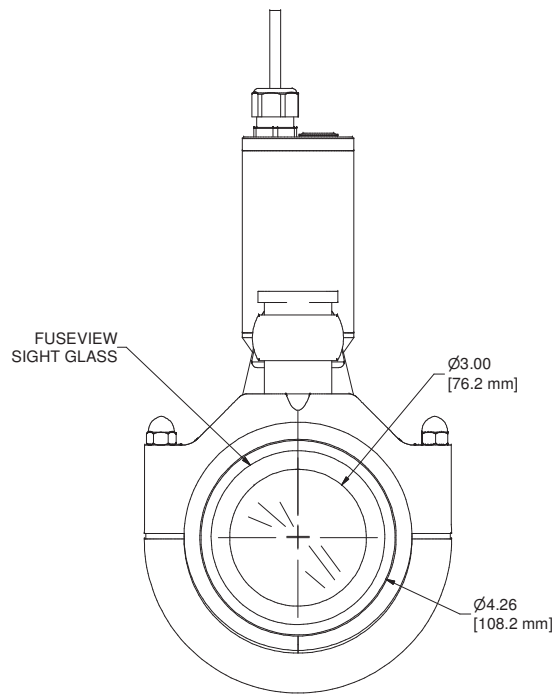
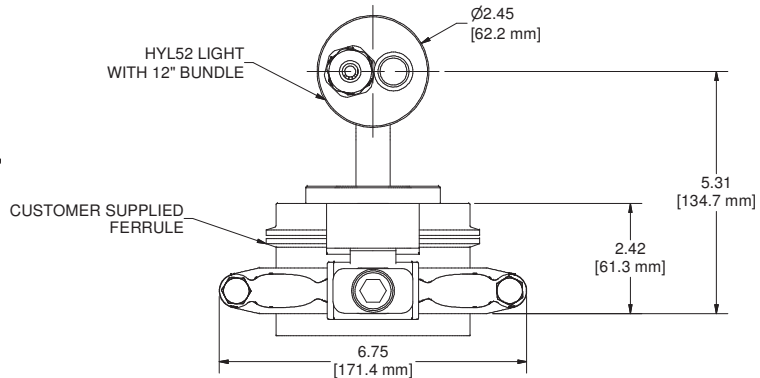
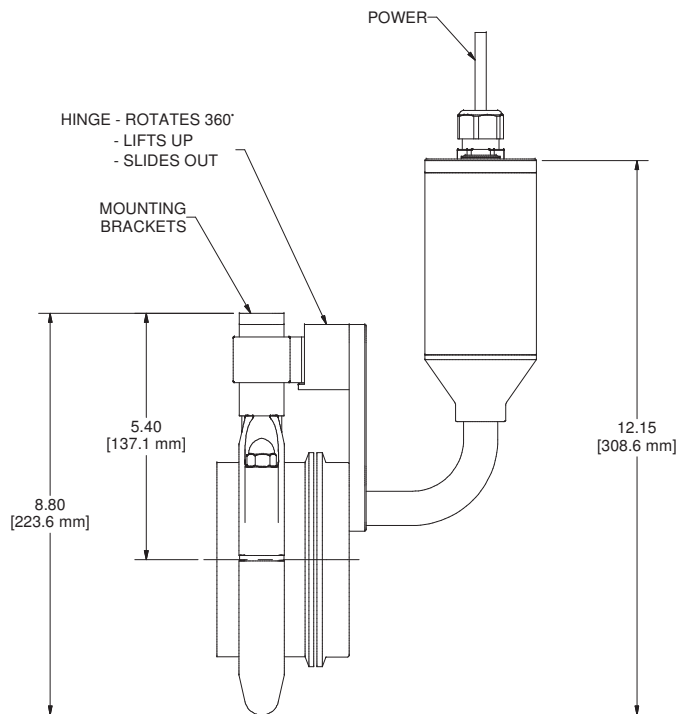


SCALE 3 / 8



BOTTOM VIEW  
SCALE 1 / 2



**NOTICE**  
THIS DRAWING IS THE PROPERTY OF J.M. CANTY AND MUST BE RETURNED WITHOUT REPRODUCTION OR DUPLICATION, AT ANY TIME UPON REQUEST, BUT IN ANY EVENT AS SOON AS IT HAS SERVED THE PURPOSE FOR WHICH IT WAS FURNISHED, WHILE IN THE POSSESSION OF THE RECIPIENT, IT MUST BE PROPERLY SAFEGUARDED AGAINST DISCLOSURE TO ANYONE EXCEPT THOSE EMPLOYEES WHO REQUIRE IT FOR WORK OR JOB. THE RECIPIENT MUST KEEP CONFIDENTIAL AND REQUIRE HIS (HER) EMPLOYEES TO KEEP CONFIDENTIAL THE INFORMATION CONTAINED HERE ON.

**UNLESS OTHERWISE NOTED**  
1. ALL DIMENSIONS IN INCHES  
2. 3 DECIMAL PLACES ± .005  
3. 2 DECIMAL PLACES ± .015  
4. 1 DEC. & FRACTIONS ± .03  
5. ANGLES ± .5°  
6. ROUNDNESS .002 MAX.  
7. CONCENTRICITY .003 MAX.  
8. CAST FINISH - 125 Ra  
9. MACHINE FINISH - 63 Ra  
10. REMOVE SHARP EDGES .015 MAX.  
11. ALL FILLETS R.032 MAX.

DRAWN BY <b>RFM</b>	DATE <b>8/1/2005</b>
APPROVAL <b>RFM</b>	DATE <b>8/1/2005</b>
ENGINEERING ANALYSIS <b>CURRENT</b>	DATE <b>8/1/2005</b>
MFG. APPROVAL <b>PENDING</b>	DATE
QUALITY CONTROL <b>I.O.A.</b>	DATE

J.M. CANTY INC. 6100 DONNER RD. BUFFALO, N.Y. 14094 U.S.A.		<b>CANTY</b> WWW.JMCANTY.COM	J.M. CANTY INTL. LTD. BALLYCOLLIN BUS. PK. BLANCHARDSTOWN DUBLIN 15, IRELAND	
TITLE <b>4" TRIPORT SALES DETAIL</b>				
SIZE <b>C 0</b>	REVISION	FILE NAME <b>SC10406-110</b>		
SCALE <b>AS NOTED</b>	SHEET <b>1</b> OF <b>1</b>			