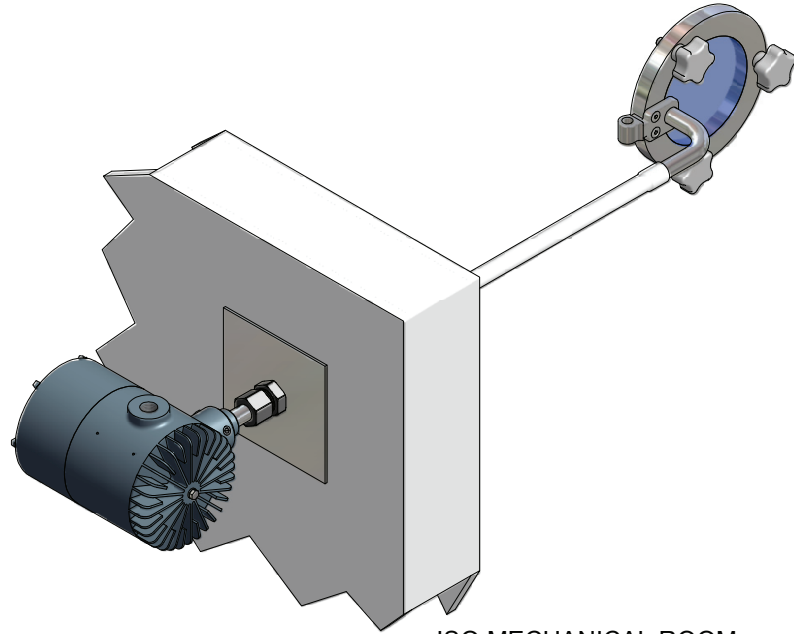
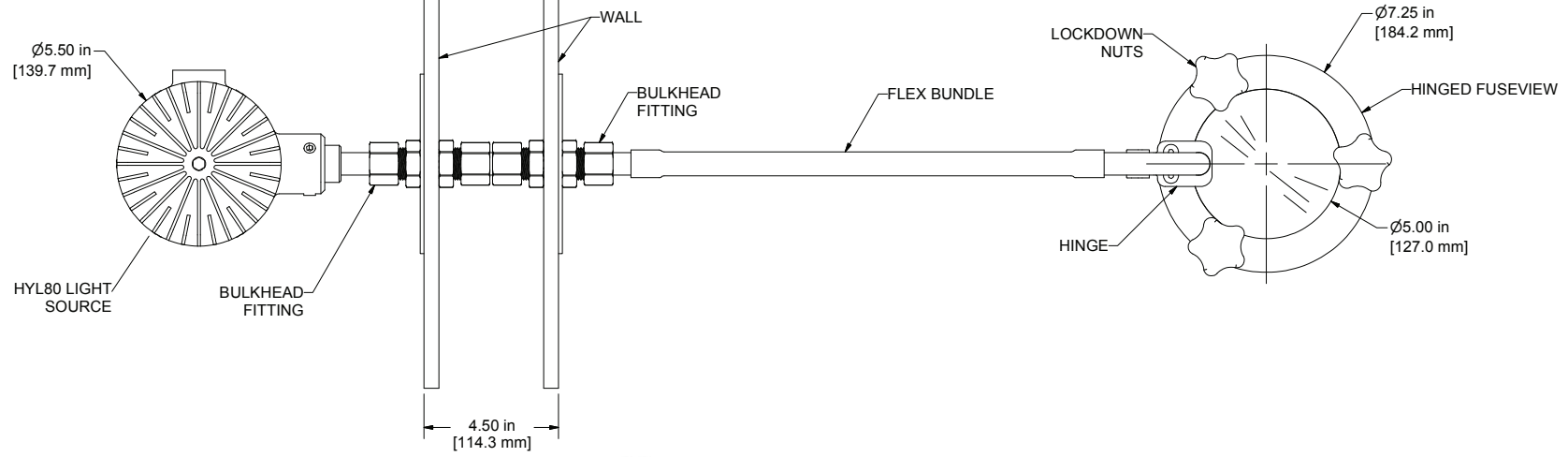
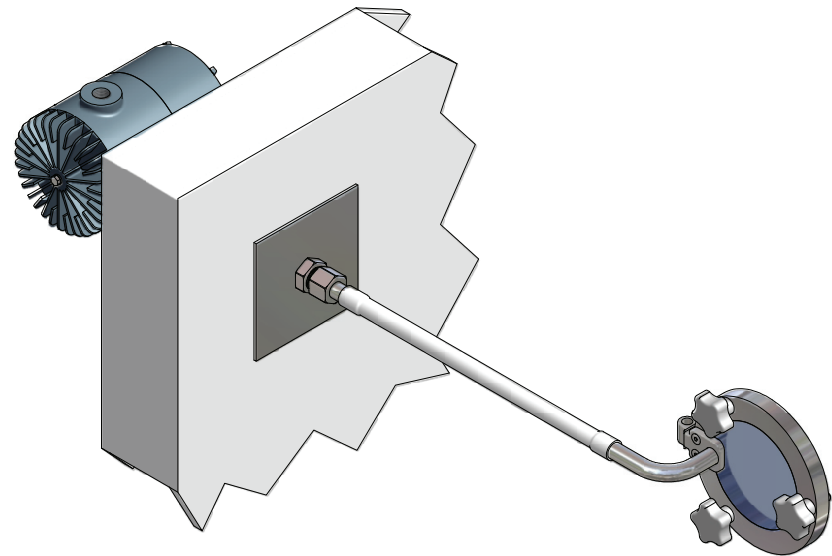


MECHANICAL ROOM

CLEAN ROOM



ISO MECHANICAL ROOM
SCALE 1 / 4



ISO CLEAN ROOM
SCALE 1 / 4

| | | | | | | | |
|--|---|---|---------------------------|---|---|---|----------------------------------|
| <p>NOTICE THIS DRAWING IS THE PROPERTY OF J.M. CANTY AND MUST BE RETURNED WITHOUT REPRODUCTION OR DUPLICATION, AT ANY TIME UPON REQUEST, BUT IN ANY EVENT AS SOON AS IT HAS SERVED THE PURPOSE FOR WHICH IT WAS FURNISHED, WHILE IN THE POSSESSION OF THE RECIPIENT, IT MUST BE PROPERLY SAFEGUARDED AGAINST DISCLOSURE TO ANYONE EXCEPT THOSE EMPLOYEES WHO REQUIRE IT FOR WORK OR JOB. THE RECIPIENT MUST KEEP CONFIDENTIAL AND REQUIRE HIS (HER) EMPLOYEES TO KEEP CONFIDENTIAL THE INFORMATION CONTAINED HERE ON.</p> | <p>IMPORTANT FOR THE REQUIRED MANUFACTURING SPECIFICATIONS SEE DOCUMENT #A4955</p> <p>NOTE: FAILURE TO RECEIVE DOCUMENT DOES NOT WAIVE VENDOR RESPONSIBILITY</p> | <p>DRAWN BY RFM</p> | <p>DATE 18-Dec-07</p> | <p>J.M. CANTY INC. 6100 DONNER RD. BUFFALO, N.Y. 14094 U.S.A.</p> | <p>CANTY WWW.JMCANTY.COM</p> | <p>J.M. CANTY INTL. LTD. BALLYCOOLIN BUS. PK. BLANCHARDSTOWN DUBLIN 15, IRELAND</p> | |
| | | <p>APPROVAL RFM</p> | <p>DATE 18-Dec-07</p> | | | | |
| | | <p>ENGINEERING ANALYSIS CURRENT</p> | <p>DATE 18-Dec-07</p> | <p>TITLE HINGED FUSEVIEW WITH HYL80 LIGHT AND FLEX BUNDLE</p> | | | |
| | | <p>MFG. APPROVAL PENDING</p> | <p>DATE</p> | <p>QUALITY CONTROL I.O.A.</p> | <p>DATE</p> | <p>SIZE / REVISION C 0</p> | <p>FILE NAME TA10697-100</p> |