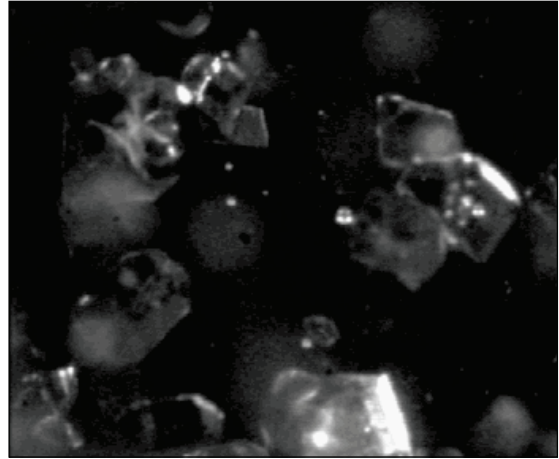
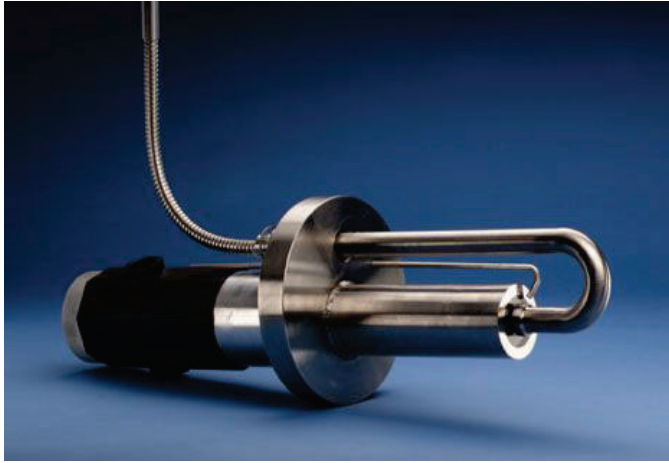


CANTY

PROCESS TECHNOLOGY

SUGARSCOPE™ PARTICLE SIZING SYSTEM



CANTY ADVANTAGE

The CANTY SUGARSCOPE™ is a high speed video system that captures and displays live video images of sugar crystals in a sugar pan under process conditions for blur-free, flicker-free process monitoring. The SUGARSCOPE™ features a unique, high magnification lens that views particles as small as 1 micron, manual zoom controls to widen the view angle to 1000 microns. No sampling is required - the process is continually monitored under pressure and temperature.

PARTICLE SIZING

- Crystal Distribution By Major, Minor Diameter, Area, Perimeter Available with Vector System.
- Crystal Size & Shape
- Crystal Count
- Density Of Crystals
- Detection Of Seeding Problems
- Automated Temperature & Vacuum Controls During Crystal Growth
- Increased Efficiency During Filtration

APPLICATIONS

- Crystallizers
- Fermentation Applications - Optical Density/Cell Count
- Mining-Flotation Cells and Thickener Tanks
- Web Inspection
- Fiber-Glass or Polymer Diameter

FEATURES

- Remotely view sugar growth from the comforts of a control room
- Fused Glass, High Pressure / Temperature Seal From process
- High resolution CCD cameras - available in Ethernet Output, B&W and Color
- NEMA 4 / IP66 Rated / Explosion Proof / Flame Proof
- 1 - 1000 micron crystals
- Adjustable Magnification Microscopic Zoom Lens
- Single Nozzle viewing/illuminating
- Canty Vision Client software comes standard with Ethernet version for particle size analysis
- Output options- OPC, 4-20mA

SPECIFICATIONS

- Video Format:.....Gigabit Ethernet, EIA, CCIR, NTSC, and PAL
- Shutter Speed:.....Variable up to 10 micro Seconds
- Ambient Temp:.....-30° to 50°C
- Input Power:.....120V AC 60Hz or 230V AC 50Hz
- Cable:.....Cat6 Ethernet or RG59/U, 75Ω coaxial cable suitable CCTV applications
- Environmental Ratings:..NEMA 4, IP66, EXP, FP

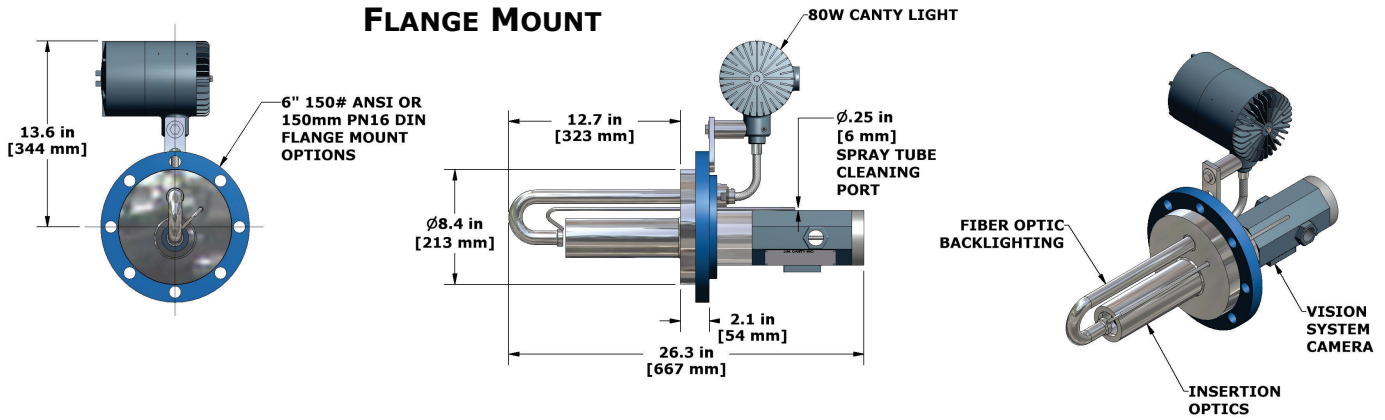
CANTY JM Canty Inc | Buffalo, NY USA
JM Canty Intl Ltd | Dublin, Ireland

Ph: (716) 625 4227
Ph: +353 (01) 882 9621

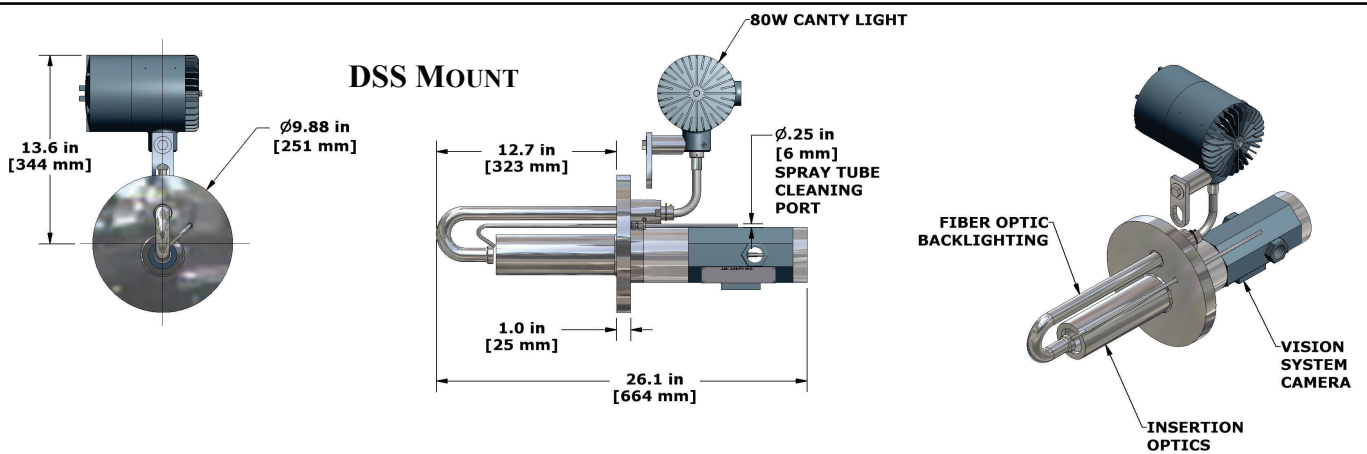
Fax: (716) 625 4228
Fax: +353 (01) 882 9622

DIMENSIONAL INFORMATION

FLANGE MOUNT



DSS MOUNT



Ordering Information

HOW TO ORDER: Select the appropriate symbols and build a part number as shown:

EXAMPLE:

SUG - 6 F 1 A 1 V

<p>CONNECTION TYPE</p> <p>6 - 6" 150# ANSI 7 - 150mm 16BAR DIN D - DSS Mount</p>	<p>VIDEO SYSTEM FORMAT</p> <p>A - EIA (U.S. B&W) 640 X 480 B - NTSC (U.S. Color) 640x480 C - CCIR (European B&W) 768x576 D - PAL (European Color) 768x576 E - Ethernet (Color) 650x490 F - Ethernet (B&W) 650x490 G - Gigabit Ethernet (Color) 1600x1200 H - Gigabit Ethernet (B&W) 1600x1200</p>	<p>O-RING MATERIAL</p> <p>V - Viton® B - Buna E - EPDM S - Silicone N - NEOPRENE K - Kalrez® C - Chemraz®</p>
<p>ENVIRONMENTAL RATING</p> <p>1 - NEMA 4 Weatherproof 2 - IP 66 3 - Explosion Proof (U.S. 120V) 4 - Flame Proof (Europe 230V)</p>	<p>WETTED METAL MATERIAL</p> <p>1 - 316L Stainless Steel 2 - Hastelloy® C276 or equal 3 - Hastelloy® C-22® or equal</p>	<p>INPUT POWER</p> <p>A - 120 V AC / 60Hz B - 230 V AC / 50Hz</p>

CANTY JM Cauty Inc | Buffalo, NY USA
JM Cauty Intl Ltd | Dublin, Ireland

Ph: (716) 625 4227 | Ph: +353 (01) 882 9621

Fax: (716) 625 4228 | Fax: +353 (01) 882 9622