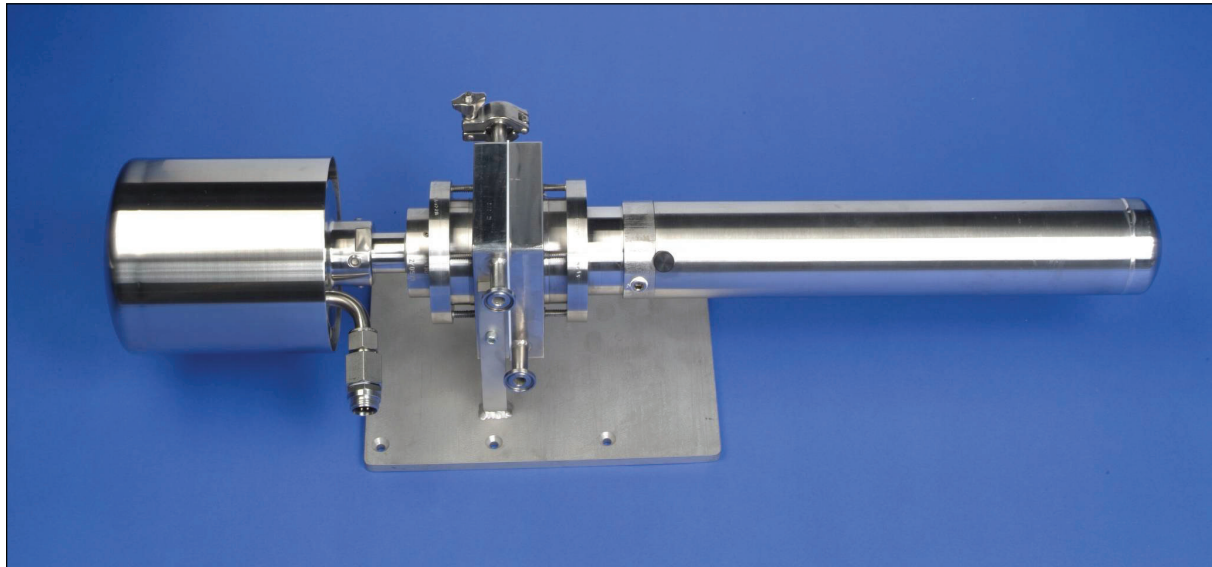


CANTY

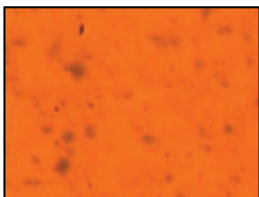
PROCESS TECHNOLOGY

MICROFLOW MULTIPHASE ANALYZER OIL IN WATER / WATER IN OIL - PORTABLE / LAB

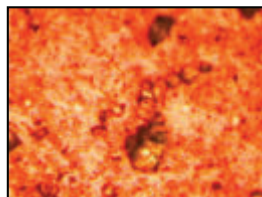


THE CANTY ADVANTAGE

The Cauty Microflow has been engineered to offer the user a means by which a liquid is analyzed while under varying pressures, temperatures and flow rates. The Microflow offers sample or continuous, microscopic, non-destructive viewing and provides multiphase analysis of oil in water, water in oil with two dimensional results. The vision system with integral lighting features precision optics designed to enhance the image prior to display or analysis. The image sensor is a high resolution / high speed CCD camera coupled to a microscopic lens system. The system offers zoom and focus ability, variable lighting, and multiple objective lens packages to cover a range of sizes. All Microflows feature the Fuseview™ window as the product contact barrier. Our unique fused glass windows far exceed all other glass windows in safety and performance. The fused glass provides a flush finish, without the pocketing found in other mechanical seals which disturb the flow pattern and particle distribution and are the major cause of flow and build-up problems.



Untreated Crude



Treated Crude



Crystalline Calcium Particulate



Polymer Formation

ADVANTAGES

- In-line or Laboratory Models
- WP / IP66, Explosion Proof / Flame Proof Design
- Fused Glass
- Self Cleaning Design

KEY FEATURES

- Explosion proof / Flame proof & WP / IP66 Microscopic Camera / Light
- .7 Micron Particles & Larger
- 100% Oil Down To PPB Level
- Sand, Oil, Gas, Water

- Ethernet Connectivity - Wired Or Wireless
- High Pressure / Temperature Fused Glass
- FM, CSA, ATEX
- No Purge Needed
- ANSI, DIN, Swagelok Connections

CANTY
www.jmcanty.com

JM Cauty Inc | Buffalo, NY USA | Ph: (716) 625 4227 | Fax: (716) 625 4228
JM Cauty Intl Ltd | Dublin, Ireland | Ph: +353 (01) 882 9621 | Fax: +353 (01) 882 9622

Ordering Information

HOW TO ORDER: Select the appropriate symbols and build a part number as shown:

EXAMPLE:

MIC - T G 1 R 1 1 B 1 1 A Z

TYPE _____
 H - High Pressure with 1/2" O.D. Tube Connections. 600 PSI max.
 T - Laminar Flow with 1/2" O.D. Tube Connections. 150 PSI max.
 Adaptors to Swagelok® and NPT fittings available.

VIDEO SYSTEM FORMAT _____
 E - Gigabit Ethernet (Color) 650(H) X 490(V) pixel array
 F - Gigabit Ethernet (B&W) 650(H) X 490(V) pixel array
 G - Gigabit Ethernet (B&W) 1600(H) X 1200(V) pixel array
 H - Gigabit Ethernet (Color) 1600(H) X 1200(V) pixel array

ENVIRONMENTAL RATING _____
 1 - Lab Unit (General Purpose Enclosure)
 2 - NEMA 4 Weatherproof, IP 66
 4 - Explosion Proof (U.S. 120V) or Flame Proof (Europe 230V)

SYSTEM ILLUMINATION _____
 R - Oil In Water Illumination Package
 T - Multiphase Illumination Package

PARTICLE SIZE RANGE _____

P.S. View	P.S. Measure	Pixel Array
1 - (.2µm* - 3,075µm)	(.4µm* - 615µm)	1600x1200 models only
3 - (.4µm* - 3,075µm)	(1µm - 615µm)	650x490 models only

INPUT POWER _____
 1 - 120 V AC / 60Hz
 2 - 230 V AC / 50Hz

O-RING AND SANITARY GASKET MATERIAL
 A - Viton®
 B - Buna
 C - EPDM
 D - Silicone
 E - Kalrez®
 F - Chemraz®
 G - Teflon® (O-ring-Teflon® encapsulated Silicone)

THERMAL REGULATION
 1 - None
 2 - Internal Thermal Heat Exchange Flow Path 3/8" O.D. Tubing Connection
 3 - Thermal Well is for Ø 3/16" Rod Heating Elements (Elements not included)

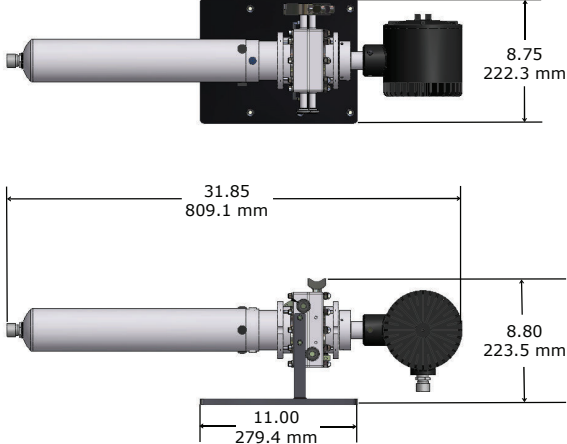
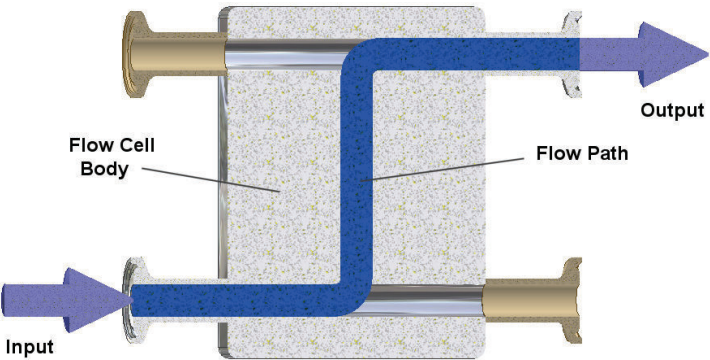
FLOW PATH SPACING CONTROL (GASKET TEFLON®)
 1 - Lab System (5µm-3,175µm Gap), Adjustable with Sample Present
 2 - Field System (3,175µm Gap), 2" Wide Cell Width

For options 2 - 100µm, 200µm, 500µm, 1000µm & 1500µm thick gaskets are also available. Consult factory.

WETTED METAL MATERIAL
 B - 316L Stainless Steel
 D - Hastelloy® C276 or equal
 E - Hastelloy® C-22® or equal

All registered trademarks are property of their respective owners.

Flow Diagram



SPECIFICATIONS

- Shutter Speed: Variable Up To 1/100,000 sec
- Weatherproof Seals on Camera and Light Source
- 1/2 inch flow connections (two in and two out, with two plugs)
- Optional Laboratory Flow Loop Sample Feed

CANTY	JM Canty Inc Buffalo, NY USA	Ph: (716) 625 4227	Fax: (716) 625 4228
	JM Canty Intl Ltd Dublin, Ireland	Ph: + 353 (01) 882 9621	Fax: +353 (01) 882 9622

www.jmcanty.com

Document P/N: TA11018-1 Rev. 1

Consult datasheet TA9309-1 for pressure ratings up to 10,000 PSI as well as additional system options.
 * Verify required wavelength of light for application. Visible light allows for particles .7 micron and larger.