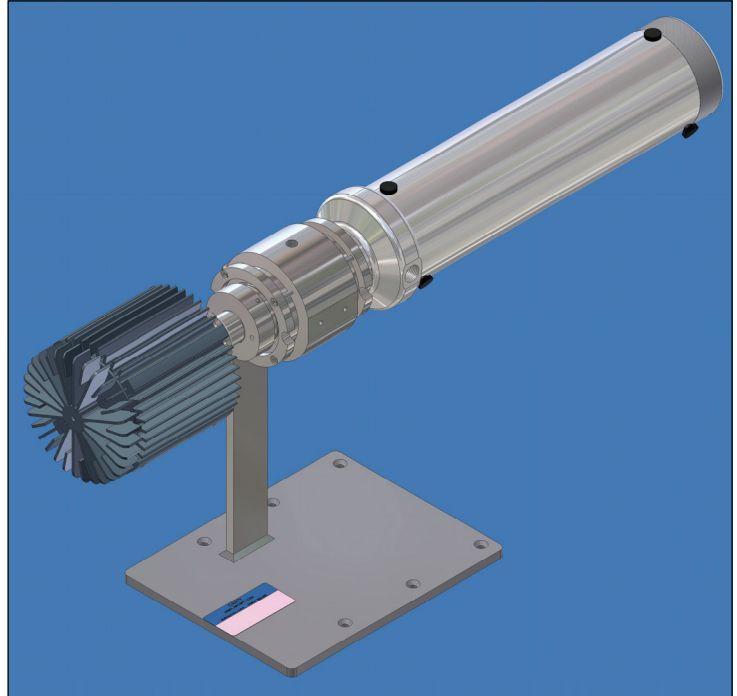


CANTY

PROCESS TECHNOLOGY

TRUFLOW™ PARTICLE SIZING SYSTEM

The Canty TRUFLOW™ has been engineered to offer the user a means by which a liquid is analyzed while under varying pressures, temperatures and flow rates. It offers sample or continuous, microscopic, non-destructive viewing and provides particle size analysis with two dimensional results when used in conjunction with the CantyVisionClient™ Software. The vision system, with integral lighting, features precision optics designed to enhance the image prior to display or analysis. The image sensor is a high resolution / high speed CCD camera coupled to a microscopic lens system. The system offers zoom and focus ability, variable lighting, and multiple objective lens packages to cover a range of sizes. The TRUFLOW™ features the FUSEVIEW™ window as the product contact barrier. Our unique fused glass windows far exceed all other glass windows in safety and performance allowing for high pressure ratings. The fused glass provides a flush finish, without the pocketing found in other mechanical seals which disturb the flow pattern and particle distribution and can damage or deform particles.



FEATURES

- Particle Size, Shape and Distribution with Real Time Analysis
- Fused Glass Pressure Barrier Standard
- Rated 500 PSI @ 400 Deg. F., Options through 6,000 PSI.
- Cold Back Light Eliminates Heating of the Sample Even at High Outputs which are Required for High Shutter Speed Viewing.
- CCD Based High-Speed Imaging Device
- Adjustable Gap Option
- Regulated Temperature Option
- On-Line or Lab Plus (remote control)
- 1/4 Inch NPT Connections Standard

APPLICATIONS

- Multiphase Oil Characterization
- Polymer Bead Growth and Shape Analysis
- Mining and Aggregate Particle Size
- Centrifuge Effluent and Screen Break Detection
- In-Line Particle Size for Process Control
- Gel, Emulsion and Bubble Classifier
- Percent Solids / Turbidity
- End Product Quality Control and Lot Certification
- Crystal Growth Analysis
- Replace Laser and Sieve with Two Dimensional Distribution by Shape

SPECIFICATIONS

Video Formats: Gigabit Ethernet, EIA, CCIR, NTSC and PAL

Shutter Speed: Variable Up to 10 micro Seconds

Ratings: Lab, NEMA 4 Weather Proof, Explosion Proof or Flame Proof

Particle size: .7 micron to 3000 micron

Connections: NPT, Tube or Sanitary

Input power: 120 V AC 60Hz or 230 V AC 50Hz

Cable: RG59/U, RG11/U, RG6/U Coaxial Cable Suitable for CCTV Applications is Recommended for Analog Cameras. Gigabit Ethernet Cameras require CAT6 or Better Cabling

CANTY

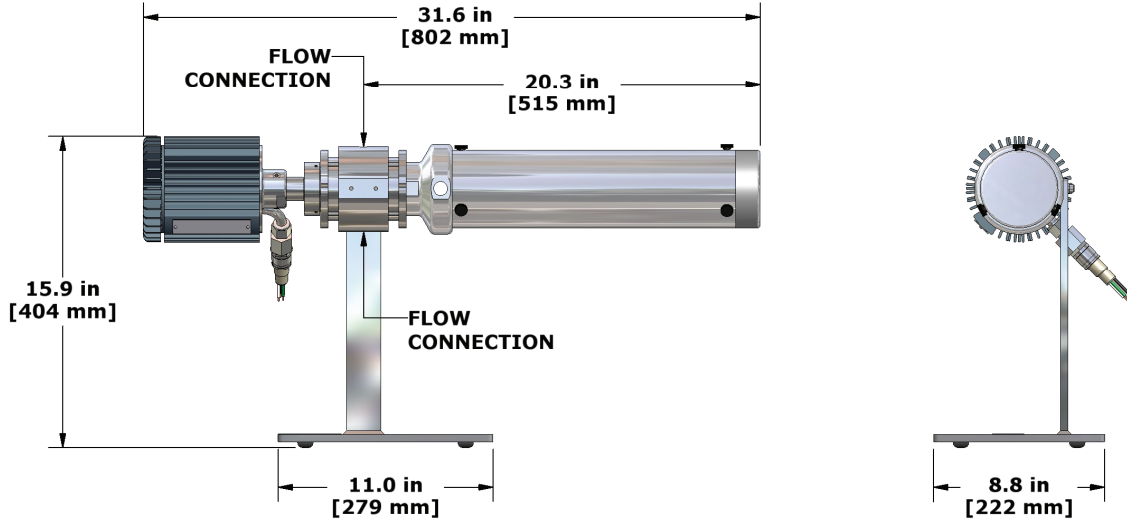
JM Canty Inc
JM Canty Intl Ltd

Buffalo, NY USA
Dublin, Ireland

Ph: (716) 625 4227
Ph: +353 (01) 882 9621

Fax: (716) 625 4228
Fax: +353 (01) 882 9622

DIMENSIONAL INFORMATION



Ordering Information

HOW TO ORDER: Select the appropriate symbols and build a part number as shown:

EXAMPLE:

TRU - A G 1 K 1 1 B 1 1 A Z

CONNECTION TYPE A - 1/4" Female NPT B - 1/2" Female NPT D - 1/4" Swagelok Tube Connection E - 1/2" Swagelok Tube Connection F - 1/2" Sanitary (Triclamp)	O-RING MATERIAL A - Viton® B - Buna C - EPDM D - Silicone E - Kalrez® F - Chemraz®																					
VIDEO SYSTEM FORMAT A - EIA (U.S. B&W) 640x480 B - NTSC (U.S. Color) 640x480 C - CCIR (European B&W) 768x576 D - PAL (European Color) 768x576 E - Gigabit Ethernet (B&W) 650x490 F - Gigabit Ethernet (Color) 650x490 G - Gigabit Ethernet (B&W) 1600x1200 H - Gigabit Ethernet (Color) 1600x1200	THERMAL REGULATION 1 - None 2 - External Band Heaters																					
ENVIRONMENTAL RATING 1 - Lab Unit (General Purpose Enclosure) 2 - NEMA 4 Weatherproof, IP 66 3 - Lab Plus (Ethernet Remote Control) 4 - Explosion Proof (U.S. 120V) or Flame Proof (Europe 230V)	FLOW PATH SPACING CONTROL 1 - Variable Gap (5µm-3,175µm), Adjustable with Sample Present 2 - Fixed Gap (3,175µm), 2" Wide Cell Width 3 - Fixed Gap (3,175 µm), 1/2" Wide Cell Width																					
SYSTEM ILLUMINATION K - Backlight L - Darkfield M - Cross Polarized N - Amplified / Focused P - Phase Contrast Q - Front & Backlight When picking options K, L, or M, all three are included and the selected option will be factory installed.	WETTED METAL MATERIAL B - 316L Stainless Steel D - Hastelloy® C276 or equal E - Hastelloy® C-22® or equal																					
PARTICLE SIZE RANGE <table border="1"> <thead> <tr> <th>P.S. View</th> <th>P.S. Measure</th> <th>Pixel Array</th> </tr> </thead> <tbody> <tr> <td>1 - (.2µm* - 2400µm)</td> <td>(.4µm*-480µm)</td> <td>@ 1600x1200</td> </tr> <tr> <td>2 - (.3µm* - 3400µm)</td> <td>(.6µm*-680µm)</td> <td>@ 1600x1200</td> </tr> <tr> <td>3 - (.4µm*- 2,175µm)</td> <td>(1µm - 435µm)</td> <td>@ 650x490</td> </tr> <tr> <td>4 - (.6µm*- 3,075µm)</td> <td>(1.5µm - 615µm)</td> <td>@ 650x490</td> </tr> <tr> <td>5 - (.5µm*- 2,175µm)</td> <td>(1.5µm - 435µm)</td> <td>@ 640x480/768 x 576</td> </tr> <tr> <td>6 - (.8µm - 3,075µm)</td> <td>(2.0µm - 615µm)</td> <td>@ 640x480/768 x 576</td> </tr> </tbody> </table> When picking options [1 or 2], [3 or 4], [5 or 6], the system includes a second lens for the other range in the bracket as well. The selected option will be factory installed. For larger sizes, please refer to the INFlow™ sheet, TA10601-1.	P.S. View	P.S. Measure	Pixel Array	1 - (.2µm* - 2400µm)	(.4µm*-480µm)	@ 1600x1200	2 - (.3µm* - 3400µm)	(.6µm*-680µm)	@ 1600x1200	3 - (.4µm*- 2,175µm)	(1µm - 435µm)	@ 650x490	4 - (.6µm*- 3,075µm)	(1.5µm - 615µm)	@ 650x490	5 - (.5µm*- 2,175µm)	(1.5µm - 435µm)	@ 640x480/768 x 576	6 - (.8µm - 3,075µm)	(2.0µm - 615µm)	@ 640x480/768 x 576	INPUT POWER 1 - 120 V AC / 60Hz 2 - 230 V AC / 50Hz
P.S. View	P.S. Measure	Pixel Array																				
1 - (.2µm* - 2400µm)	(.4µm*-480µm)	@ 1600x1200																				
2 - (.3µm* - 3400µm)	(.6µm*-680µm)	@ 1600x1200																				
3 - (.4µm*- 2,175µm)	(1µm - 435µm)	@ 650x490																				
4 - (.6µm*- 3,075µm)	(1.5µm - 615µm)	@ 650x490																				
5 - (.5µm*- 2,175µm)	(1.5µm - 435µm)	@ 640x480/768 x 576																				
6 - (.8µm - 3,075µm)	(2.0µm - 615µm)	@ 640x480/768 x 576																				

* Verify Required Wavelength of Light for Application.
Visible Light Allows for Particles .7 Micron(µm) and Larger.

CANTY JM Canty Inc
JM Canty Intl Ltd

Buffalo, NY USA
Dublin, Ireland

Ph: (716) 625 4227
Ph: +353 (01) 882 9621

Fax: (716) 625 4228
Fax: +353 (01) 882 9622