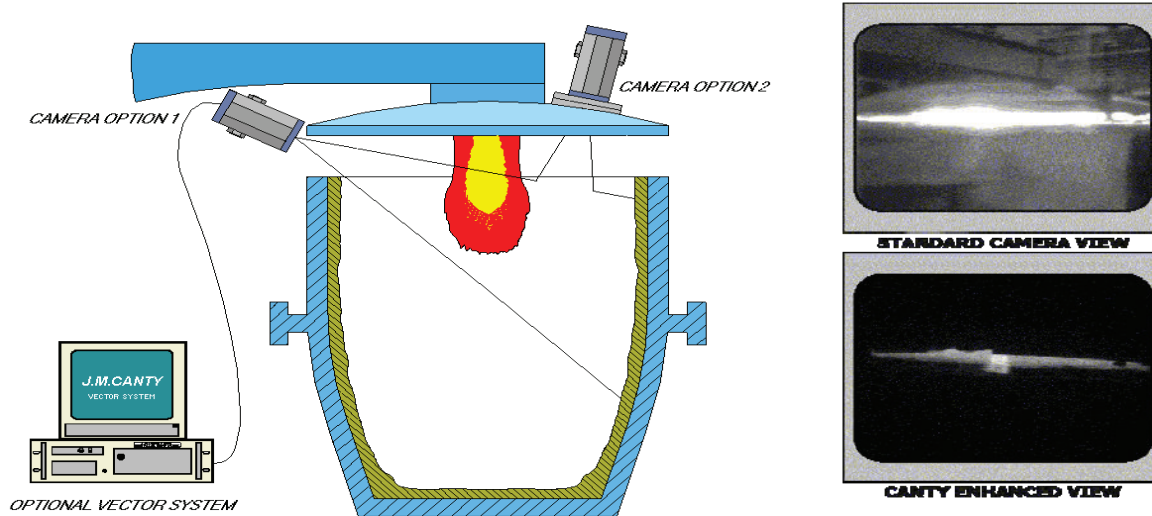


CANTY

PROCESS TECHNOLOGY

MIXED GAS FLAME MONITORING



INDUSTRY: STEEL DEGASSING

CUSTOMER PROBLEMS.

A large German steel manufacturer needed to monitor the flame burning in an empty ladle of steel. This was to ensure that the refractive lining was being heated to the correct temperature, and that the flame was present.

CANTY'S SOLUTION.

The Cauty high temperature camera (option 2), or an Air cooled surveillance camera (option 1) is used to visually monitor the ladle. This image is then sent to the Cauty Vector system to sense the flame presence in the zone, and the temperature of the refractory in several other zones.

EQUIPMENT.

Vector transmitter with 4-20 mA output, high temperature flush mount camera or surveillance camera (air vortex cooled if necessary).

J.M. CANTY INC.

Buffalo, NY USA
Ph. (716) 625-4227
Fax. (716) 625-4228

J.M. CANTY LTD.

Dublin, Ireland
Ph. (353) (01) 882-9621
Fax. (353) (01) 882-9622

Document P/N : TA7616-1 Rev. 5

[e-mail:sales@jmcanty.com](mailto:sales@jmcanty.com)
<http://www.jmcanty.com/>