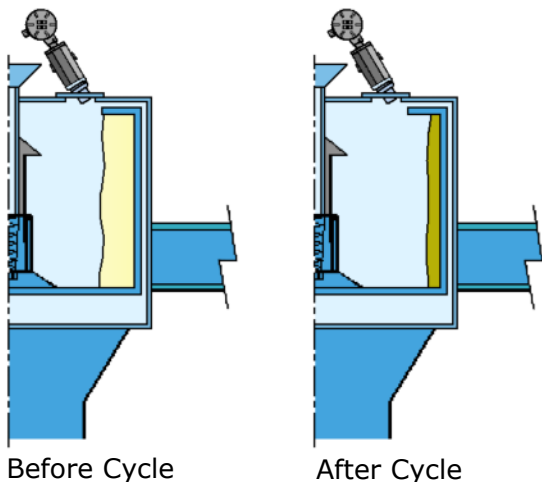


CANTY

PROCESS TECHNOLOGY

CENTRIFUGE CAMERA CONTROL

BASKET / PEELER STYLE

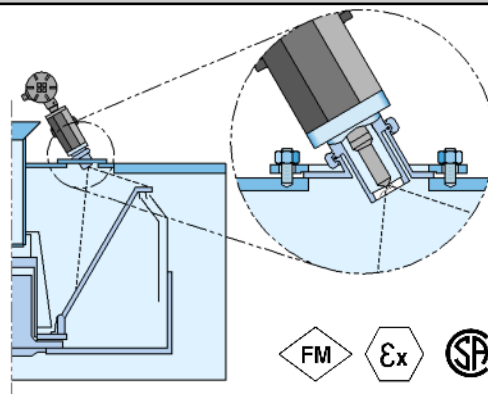


The Canty Camera / Light combination is Tri-clamp® mounted on to the existing light or sight port of the centrifuge to allow continuous internal viewing from the control room. In the control room, the Vector™ image processing computer will analyze this view and provide a 4-20mA output of fill level, filtering level, and a separate cake (solids) detection signal. The level control allows for consistent batching to the centrifuge. The cake detection 4-20mA output signal provides for immediate detection of solids, which prevent the cake from cracking. This means higher product yield due to fewer washes, and ultimately better product quality.

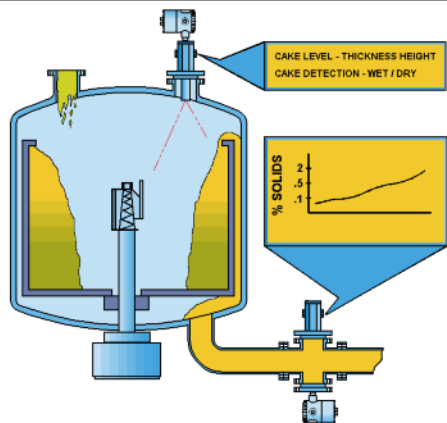
CONTINUOUS / PUSHER STYLE

The Canty Camera / Light combination is used to view and control the color line on this type of centrifuge. This avoids operator error, optimizes recovery, and minimizes washing liquid by providing a 4-20mA output signal to continually control the color line.

In addition, a second reading off the Canty Vector™ System can be used to control the surface color of the product.



DECANTER / INVERTED BASKET STYLE



The Canty Camera / Light combination views the liquid concentrate discharge from the centrifuge to determine color, % solids and broken particulate, and provides the 4-20mA output required for continuous control.

In addition, cake dryness can be determined if looking at the loss of liquid flow.

Cleaning is provided by a separate spray-tube.

CANTY

JM Canty Inc
JM Canty Intl Ltd

Buffalo, NY USA
Dublin, Ireland

Ph: (716) 625 4227
Ph: + 353 (01) 882 9621

Fax: (716) 625 4228
Fax: +353 (01) 882 9622

www.jmcanty.com

All registered trademarks are the property of their respective owners.

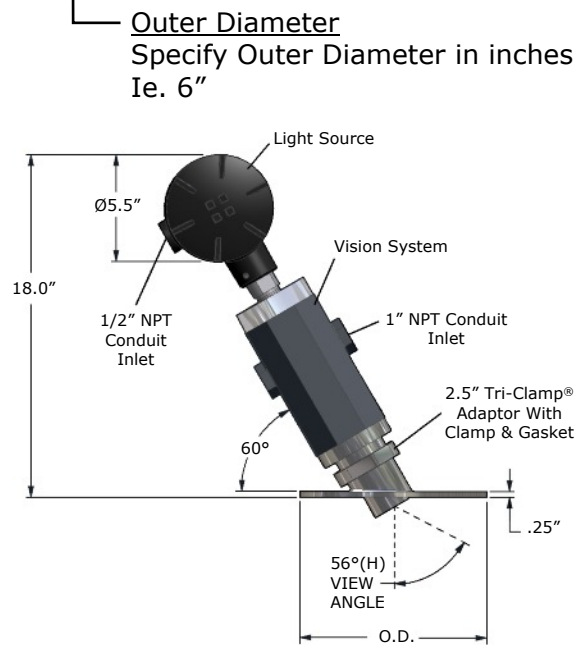
Ordering Information

HOW TO ORDER: Select the appropriate symbols and build a part number as shown:

Basket / Peeler Style

CBB1100-60D

<u>Wetted Material</u> _____	
B = 316 Stainless Steel	
D = Hastelloy® C276	
<u>Camera / Light options</u> _____	
1 = 1SRDO (Toroidal light with dimmer)	
2 = 1SDO (Standard light with dimmer)	
3 = Remote flex bundle lighting (72" TYP.)	
<u>Environmental Rating</u> _____	
1 = Explosion Proof (120V)	<u>Video Output</u> _____
2 = Flame Proof (240V)	0 =EIA U.S. B&W Format
3 = WP (120V)	1 =CCIR Euro B&W Format
4 = IP (240V)	2 =NTSC U.S. Color Format
	3 =PAL Euro Colour Format
<u>Spraytube</u>	4 =Ethernet, US Format *
0 = None	5 =Ethernet, Euro Format*
1 = Spray Tube	
2 = Spray Ring	



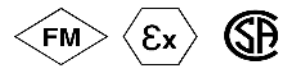
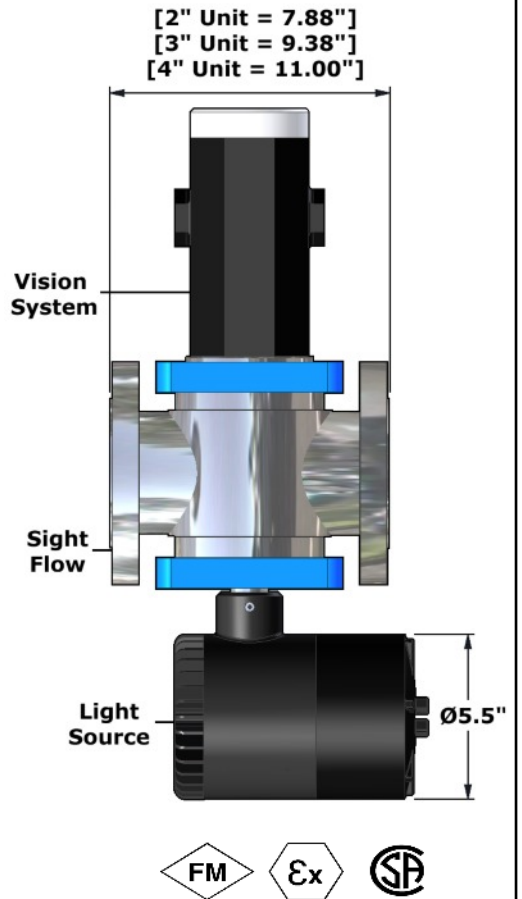
Continuous / Pusher Style

Same part number structure as above. Consult factory if alternate mounting angle is required.

Decanter / Inverted Basket Style (Sightflow mount)

CDD13010B

<u>Wetted Material</u> _____		
B = 316 Stainless Steel		
D = Hastelloy® C276		
<u>Mounting options</u> _____		
1 = Flanged		
2 = Tri-Clamp®		
<u>Size</u> _____		
2 = 2" (only in Flange Mount)		
3 = 3"		
4 = 4"		
<u>Video Output</u> _____		
0 =EIA U.S. B&W Format		
1 =CCIR Euro B&W Format		
2 =NTSC U.S. Color Format		
3 =PAL Euro Colour Format		
4 =Ethernet, US Format *		
5 =Ethernet, Euro Format*		
<u>Environmental Rating</u> _____		
1 = Explosion Proof (120V)	<u>Spray Ring</u> _____	
2 = Flame Proof (240V)	0 = None	
3 = WP (120V)	1 = Spray Ring	
4 = IP (240V)		
<u>Gasket Material</u>		
B = Buna		
V = Viton®		



CANTY

JM Canty Inc
JM Canty Intl Ltd

Buffalo, NY USA
Dublin, Ireland

Ph: (716) 625 4227
Ph: + 353 (01) 882 9621

Fax: (716) 625 4228
Fax: +353 (01) 882 9622

www.jmcanty.com
Document P/N TA9618-1 Rev. 7

* qty. 5 client CantyVisionClient™ software included. No Vector required.

All registered trademarks are the property of their respective owners.