

CANTY

PROCESS TECHNOLOGY

TRIPORT™ LIGHT/SIGHT GLASS SYSTEM



THE CANTY ADVANTAGE

Need more nozzle space on your vessel??? The Canty Triport™ fiber optic cold lighting system has been designed to provide efficient, high output light in a cost effective package by combining vessel viewing with an easy access port. We use only high quality fiber optic light bundles to guide the light from our light source through the sanitary sight glass connection. The light uses an elliptical reflector to focus true white light through an infra-red filter onto the fiber optic bundle introducing a very high intensity cold light into the vessel. The bundle tip covers less than 0.5 square inches of viewing area so it won't take up half of the view! All Triports™ feature the Canty Fuseview™ technology. Our unique fused glass windows far exceed all conventional tempered glass and metal to glass press fit windows in safety and performance. By fusing glass to metal, a high pressure, high safety, hermetic seal is formed. The fused glass technology ensures safety and cleanliness with every Fuseview™.

FEATURES

- Sight Glass, Light and Fiber Optic Bundle Integrally Mounted on Flexible Mounting Connection
- Tri-Clamp® Window Can Be Removed from Ferrule And Will Remain Supported By Triport™ System.
- Sight Glass, Light, And Fiber Optic Bundle Integrally Mounted On Flexible Mounting Connection
- Cold Light Output - There Is No Product Bake On
- Fused Glass - Safe Process Light
- Quartz Halogen 50W White Light
- 316L SS Design Can Be C.I.P.
- Fiber Optic Light Bundle Technology
- One Piece Sanitary Construction Tri-Clamp® Window
- Special Sizes And Ratings Available Upon Request

APPLICATIONS

- Bio Reactors
- Aseptic Tanks
- Sterile Process Vessels
- Sanitary Areas
- Portable Tanks
- Fermentors, Reactors and Sterilizers
- Freeze Dryers

INDUSTRIES

- Biotech
- Pharmaceutical
- Dairy
- Food & Beverage

All registered trademarks are the property of their respective owners.

CANTY JM Canty Inc | Buffalo, NY USA
JM Canty Intl Ltd | Dublin, Ireland

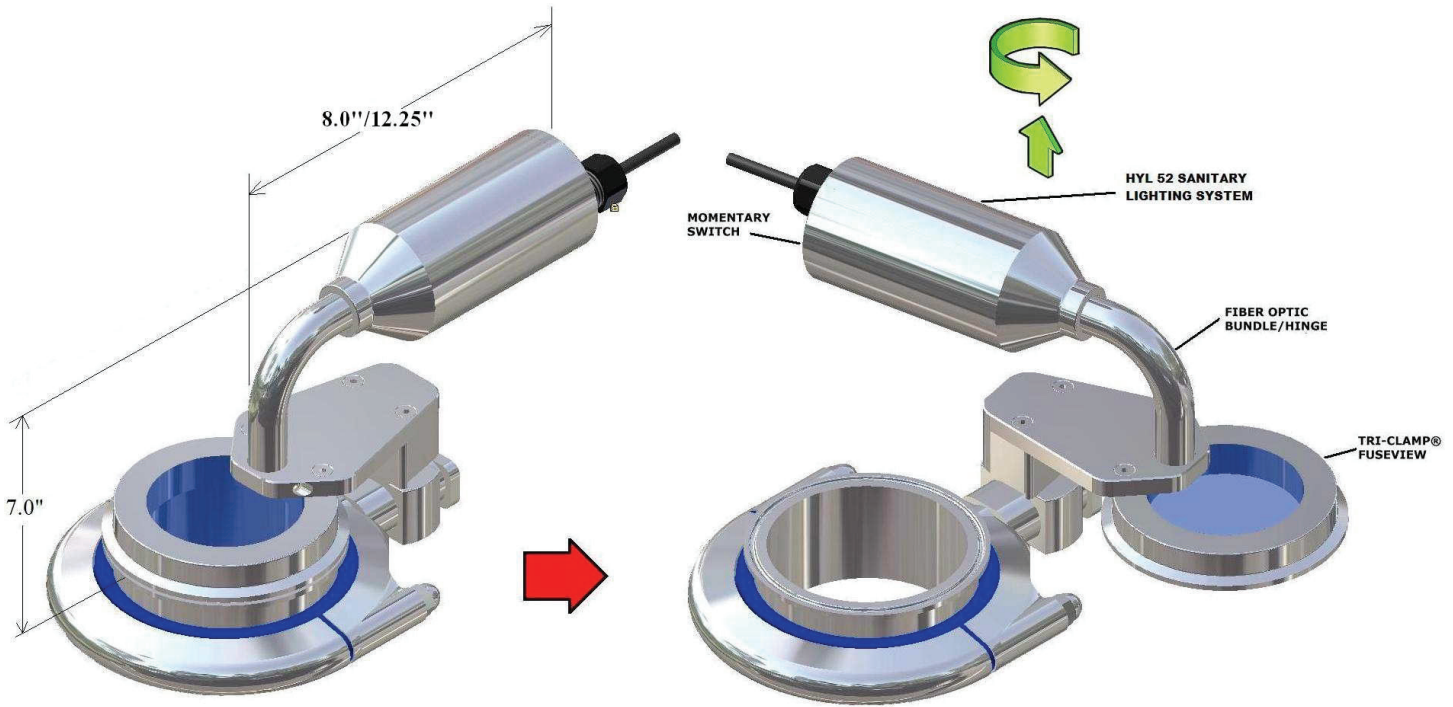
Ph: (716) 625 4227
Ph: + 353 (01) 882 9621

Fax: (716) 625 4228
Fax: +353 (01) 882 9622

www.jmcanty.com

Document P/N TA9770-1 Rev 12

Triport™ Light / Sight Glass System Specifications



Ordering Information

HOW TO ORDER: Select the appropriate symbols and build a part number as shown:

EXAMPLE:

TP-

TriPort™ Light/Fuseview™
Sight Glass System

LIGHT OPTIONS:

- 1 = HYL 52 sanitary light, 50W. Includes 120V to 12V AC NEMA unrated / IP00 bare transformer, 50/60 Hz. Customer supplies enclosure, wiring. Ref. HYL 52 data sheet P/N TA9683-1.**
- 2 = No power supply required. User supplies 12V AC, 50/60 Hz (or 12V DC), 50W (min) power source.
- 3 = No light. Includes mount hole for later upgrade.
- 4 = HYL 52 sanitary light with integral transformer, 50W. No separate power supply. Customer supplies 120V to light.

FUSEVIEW™ SIGHT GLASS SPECIFICATIONS:

0 = Flush Tri-Clamp® Model

Note: Clamp, ferrule and gasket not included.

TRI-CLAMP® CONNECTION SIZE:

- 0 = 3 inch Tri-Clamp®
- 1 = 4 inch Tri-Clamp®**
- 2 = 6 inch Tri-Clamp®
- 3 = 8 inch Tri-Clamp®

CUSTOMER'S FERRULE O.D.:

- 0 = 3.0" 4 = 6.0"
- 1 = 3.224" 5 = 6.192"
- 2 = 4.0" 6 = 8.0"
- 3 = 4.256"** 7 = 8.192"

FINISH: (wetted) (non-wetted = 32 µin[.81 µm] Ra)

- 0 = 20 µin[.51 µm] Ra (standard)(BPE-SF1)**
- 1 = 15 µin[.38 µm] Ra
- 3 = 20 µin[.51 µm] Ra Electropolished (BPE-SF5)
- 4 = 15 µin[.38 µm] Ra Electropolished (BPE-SF4)

FUSEVIEW™ MATERIAL: (wetted)

- 0 = 316L Stainless Steel***
- 1 = Hastelloy® C276 or equal
- 2 = Hastelloy® C or equal

*Canty reserves the right to upgrade to Hastelloy® C family of alloys or equal at their own cost.

SPECIFICATIONS

Power Req:	50 VA Typical.	Light Source Size:	2.5"[64mm] diameter
Housings:	NEMA 4X Sanitary, IP 66 316L SS Construction	Tri-Clamp:	Available in 3", 4", 6" and 8" Tri-Clamp® Sizes.
Wetted Materials:	SS, Hastelloy®	Bracket:	Integral Flexible Bracket Provided. +/-90 Horizontal Rotation.
Power Supply:	120 V AC to 12V AC Stepdown Transformer Option, 50VA. Integral Transformer Option. Customer Supplied PSU Option.	Ratings:	Temperatures From -320° F (-195°C) to 400° F (205°C) Standard.

CANTY

JM Canty Inc
JM Canty Intl Ltd

Buffalo, NY USA
Dublin, Ireland

Ph: (716) 625 4227
Ph: + 353 (01) 882 9621

Fax: (716) 625 4228
Fax: +353 (01) 882 9622

All registered trademarks are the property of their respective owners.