

CANTY

PROCESS TECHNOLOGY

SANITARY FLANGE FUSEVIEW™ SIGHT GLASS



THE CANTY ADVANTAGE

J.M. Canty Fuseview™ sight glasses have been engineered to meet all your process and safety needs. Bolt-on Fuseviews™ are a fused sight glass providing one-piece construction with no additional gaskets or torquing required. All Canty Bolt-on Fuseviews™ were designed and tested to ensure the safest product available. Canty can provide certification of material and testing if required, typical of ASME code requirements for process vessels.

UNMATCHED SAFETY, RELIABILITY

All Canty sight glasses feature the Fuseview™ window. Our unique fused glass windows far exceed all conventional tempered glass windows in safety and performance. By fusing glass to metal, a high pressure, high safety, hermetic seal is formed. The fused glass technology ensures safety with every Fuseview™. What's more, our windows can be easily removed for cleaning. Canty windows do not have to be discarded, as do traditional tempered glass windows. Canty fused glass windows can be reused again and again.

FEATURES

- SS, Alloy C, Hastelloy® C276 or equal, or Hastelloy® C-22® or equal, one piece construction
- Pressure rating to 150 PSI or 10 BAR
- Standard temperatures to 400°F [204°C]
- Connects to standard ANSI or DIN bolt patterns
- Special sizes available on request

OPTIONS

- Lighting - Flex bundle light available to eliminate the need for a second nozzle
- Spray Ring - One piece spray ring with matching bolt pattern available for cleaning

ADVANTAGES OF THE FUSEVIEW

- Provides maximum view available into the process
- One piece design
- Low projection from vessel
- Sanitary, flush glass design means no pockets
- Extremely high strength due to radial compression on the hermetically sealed glass
- Very high impact strength and thermal shock resistance due to prestressing
- Operates under positive or negative pressure
- Certification on material and pressure rating is available, typical of ASME code requirements

CANTY FUSEVIEW™ VS OTHERS

- Superior material properties for unmatched performance
- No loss of glass temper over time
- Scratches do not affect safety or life
- Unlike tempered glass, a Fuseview™ will not blow out if the surface is damaged
- No extra gaskets, shims, packing, or retaining rings to worry about

CANTY JM Canty Inc | Buffalo, NY USA
JM Canty Intl Ltd | Dublin, Ireland

Ph: (716) 625 4227
Ph: + 353 (01) 882 9621

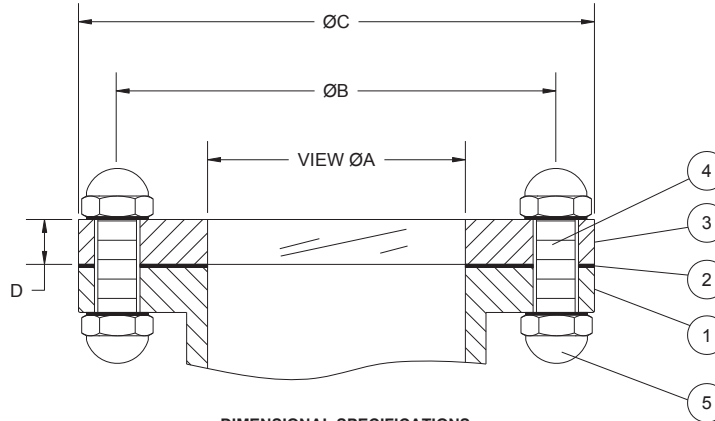
Fax: (716) 625 4228
Fax: +353 (01) 882 9622

www.jmcanty.com

SANITARY FLANGE FUSEVIEW™ SPECIFICATIONS

BILL OF MATERIALS

ITEM	DESCRIPTION
1	MOUNT NOZZLE / PAD (CUSTOMER SUPPLIES)
2	FULL FACE GASKET (CUSTOMER SUPPLIES)
3	CANTY SANITARY FLANGE FUSEVIEW™
4	STUDS (CUSTOMER SUPPLIES)
5	NUTS (CUSTOMER SUPPLIES)



****All models require the use of a full face gasket.**

DIMENSIONAL SPECIFICATIONS

ANSI SIZES	"VIEW ØA"	"ØB"	"ØC"	"D"	DIN SIZES	"VIEW øA"	"øB"	"øC"	"D"
1"	1.0" [25mm]	3.12" [79.3mm]	4.3" [108mm]	.75" [19.0mm]	25mm	1.5" [38mm]	3.35" [85.0mm]	4.5" [115mm]	.75" [19.0mm]
1.5"	1.5" [38mm]	3.88" [98.6mm]	5.0" [127mm]	.75" [19.0mm]	40mm	2.0" [51mm]	4.33" [110.0mm]	5.9" [150mm]	.75" [19.0mm]
2"	2.0" [51mm]	4.75" [120.7mm]	6.0" [152mm]	.75" [19.0mm]	50mm	2.5" [64mm]	4.92" [125.0mm]	6.5" [165mm]	.75" [19.0mm]
2.5"	2.5" [64mm]	5.50" [139.7mm]	7.0" [178mm]	.75" [19.0mm]	65mm	3.0" [76mm]	5.71" [145.0mm]	7.3" [185mm]	.75" [19.0mm]
3"	3.0" [76mm]	6.00" [152.4mm]	7.5" [191mm]	.90" [22.9mm]	80mm	3.5" [89mm]	6.30" [160.0mm]	7.9" [200mm]	.90" [22.9mm]
4"	4.0" [102 mm]	7.50" [190.5mm]	9.0" [229mm]	.90" [22.9mm]	100mm	4.0" [102mm]	7.09" [180.0mm]	8.7" [220mm]	.90" [22.9mm]
5"	5.0" [127 mm]	8.50" [215.9mm]	10.0" [254mm]	.90" [22.9mm]	125mm	5.0" [127mm]	8.27" [210.0mm]	9.8" [250mm]	.90" [22.9mm]
6"	6.0" [152mm]	9.50" [241.3mm]	11.0" [279mm]	.90" [22.9mm]	150mm	6.0" [152mm]	9.45" [240.0mm]	11.2" [285mm]	.90" [22.9mm]

Ordering Information

HOW TO ORDER: Select the appropriate symbols and build a part number as shown:

EXAMPLE:

SC - 1 0 A 0

PRESSURE: _____
A=150#
2=16 BAR

SIZE: _____
A=1" J=25mm
B=1.5" K=40mm
C=2" L=50mm
D=2.5" M=65mm
E=3" N=80mm
F=4" P=100mm
G=5" R=125mm
H=6" S=150mm

FINISH: (wetted) (non-wetted = 32 µin [.81 µm] Ra)
0 = 32 µin [.81 µm] Ra (standard)
B = 20 µin [.51 µm] Ra (BPE-SF1)
C = 15 µin [.38 µm] Ra
L = 20 µin [.51 µm] Ra Electropolished (BPE-SF5)
M = 15 µin [.38 µm] Ra Electropolished (BPE-SF4)

WINDOW RING MATERIAL (wetted):
B=316L Stainless Steel*
C=Alloy C
D=Hastelloy® C276 or equal
E=Hastelloy® C-22® or equal

*Canty reserves the right to upgrade to Hastelloy® C-family of alloys or equal at their own cost.