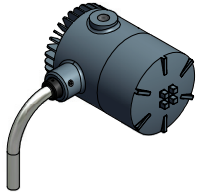
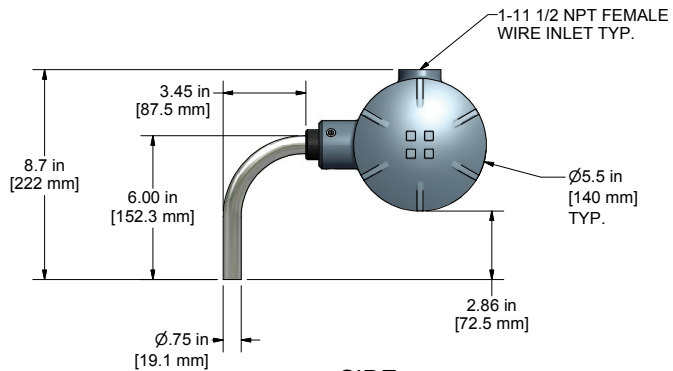
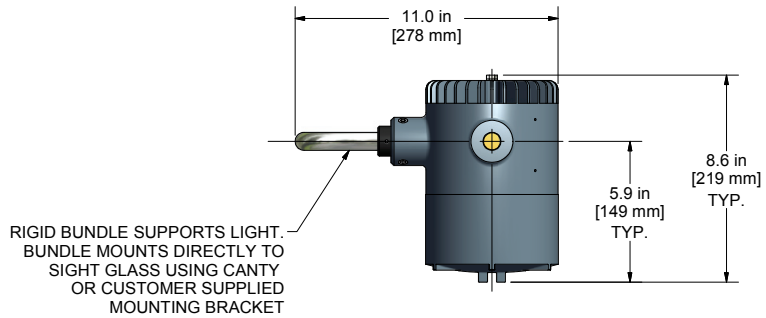


DIRECT MOUNT 12" FIBER OPTIC BUNDLE MODEL



SCALE .17 / 1



SIDE
SCALE 1 / 4

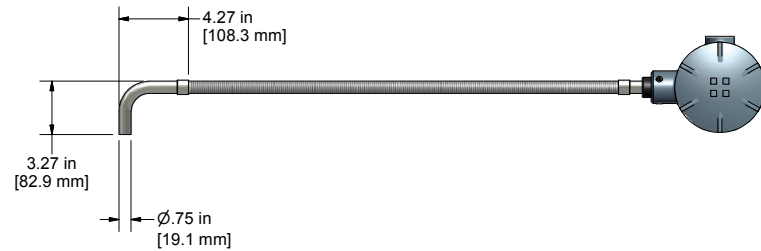
REMOTE MOUNT 24"+ LONGER FIBER OPTIC BUNDLE MODELS



FLEXIBLE FIBER OPTIC
BUNDLE SECTION

LIGHT SOURCE CAN BE
MOUNTED REMOTELY
FROM SIGHT GLASS
USING CANTY OR
CUSTOMER SUPPLIED
SUPPORT BRACKET

RIGID SECTION OF BUNDLE
MOUNTS DIRECTLY TO SIGHT GLASS
USING CANTY OR CUSTOMER SUPPLIED
MOUNTING BRACKET



SIDE
SCALE .17 / 1

NOTES:

1. FOR ANODIZED ALUMINUM LIGHTS, REFERENCE DATASHEET TA10607-1. APPLICABLE LIGHT SOURCE SELECTION OPTIONS: **EL, EE, HN, NK**.
2. FOR NI. PLATED ALUMINUM LIGHTS, REFERENCE DATASHEET TA10836-1. APPLICABLE LIGHT SOURCE SELECTION OPTIONS: **NL, NR, NC, NT**.
3. REFERENCE DATASHEET TD10811-100 FOR OPTIONAL MOUNTING BRACKETS.

SPECIFICATIONS	
MAX. TANK SIZE	8' [2.4m] Ø X 12' [3.7m] DP.
BULB	50W HALOGEN
INPUT VOLTAGE	120V OR 230V AC MODELS AVAILABLE, 50/60 Hz
TIMER	YES - MAXIMIZES BULB LIFE
THERMAL CUT-OUT	YES - REDUNDANT FOR INCREASED SAFETY
INFRA-RED FILTER	YES - REMOVES ALL HEAT. NO PRODUCT BAKE-ON
ENVIRONMENTAL RATINGS	NEMA 4, IP66, EXPLOSION PROOF, FLAME PROOF

NOTICE
THIS DRAWING IS THE PROPERTY OF J.M. CANTY AND MUST BE RETURNED WITHOUT REPRODUCTION OR DUPLICATION. AT ANY TIME UPON REQUEST, BUT IN ANY EVENT AS SOON AS IT HAS SERVED THE PURPOSE FOR WHICH IT WAS FURNISHED. WHILE IN THE POSSESSION OF THE RECIPIENT, IT MUST BE PROPERLY SAFEGUARDED AGAINST DISCLOSURE TO ANYONE EXCEPT THOSE EMPLOYEES WHO REQUIRE IT FOR WORK OR JOB. THE RECIPIENT MUST KEEP CONFIDENTIAL AND REQUIRE HIS (HER) EMPLOYEES TO KEEP CONFIDENTIAL THE INFORMATION CONTAINED HERE ON.

IMPORTANT
FOR THE REQUIRED
MANUFACTURING
SPECIFICATIONS SEE
DOCUMENT #A4955

NOTE: FAILURE TO
RECEIVE DOCUMENT
DOES NOT WAIVE
VENDOR
RESPONSIBILITY

DRAWN BY JD	DATE 5/7/2007
APPROVAL JD	DATE 6/11/2007
ENGINEERING ANALYSIS CURRENT	DATE
MFG. APPROVAL PENDING	DATE
QUALITY CONTROL I.O.A.	DATE

J.M. CANTY INC.
6100 DONNER RD.
BUFFALO, N.Y. 14094
U.S.A.

CANTY
WWW.JMCANTY.COM

J.M. CANTY INTL. LTD.
BALLYCOOLIN BUS. PK.
BLANCHARDSTOWN
DUBLIN 15, IRELAND

TITLE
**HYL 50 LIGHT, INTEGRAL TRANSFORMER,
FIBER OPTIC BUNDLE SPECIFICATION**

SIZE / REVISION C 1	FILE NAME TC10607-120
SCALE AS NOTED	SHEET 1 OF 1