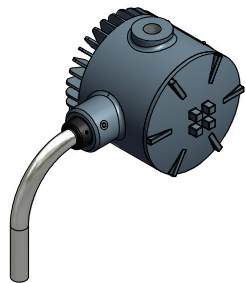
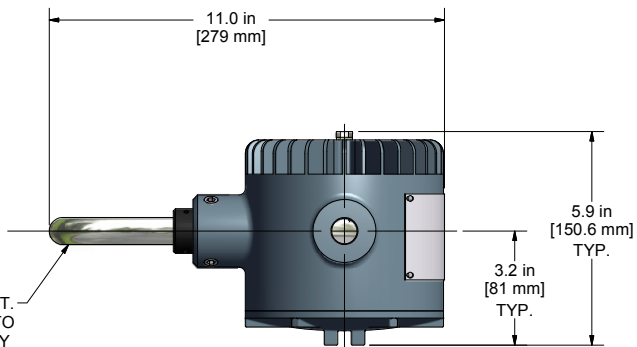


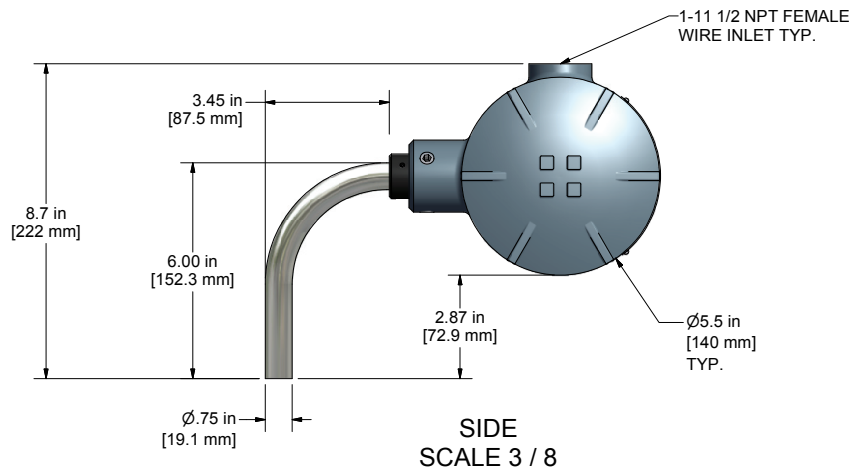
DIRECT MOUNT 12" FIBER OPTIC BUNDLE MODEL



SCALE 1 / 4

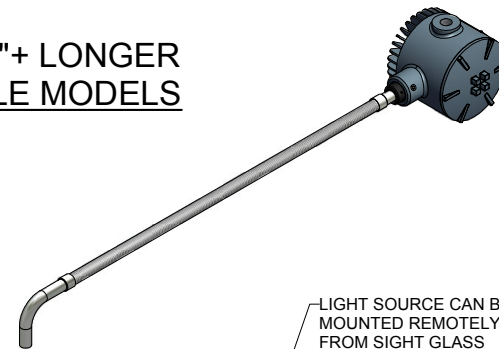


RIGID BUNDLE SUPPORTS LIGHT. BUNDLE MOUNTS DIRECTLY TO SIGHT GLASS USING CANTY OR CUSTOMER SUPPLIED MOUNTING BRACKET



SIDE SCALE 3 / 8

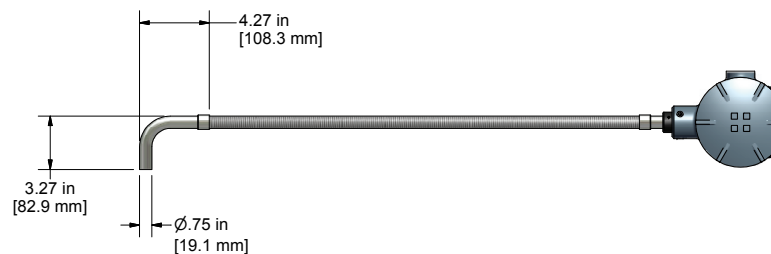
REMOTE MOUNT 24"+ LONGER FIBER OPTIC BUNDLE MODELS



FLEXIBLE FIBER OPTIC BUNDLE SECTION

RIGID SECTION OF BUNDLE MOUNTS DIRECTLY TO SIGHT GLASS USING CANTY OR CUSTOMER SUPPLIED MOUNTING BRACKET

LIGHT SOURCE CAN BE MOUNTED REMOTELY FROM SIGHT GLASS USING CANTY OR CUSTOMER SUPPLIED SUPPORT BRACKET



SIDE SCALE 0.17 : 1

NOTES:

1. FOR ANODIZED ALUMINUM LIGHTS, REFERENCE DATASHEET TA10607-1. APPLICABLE LIGHT SOURCE SELECTION OPTIONS: **HB, E9, HD, E6**.
2. FOR NI. PLATED ALUMINUM LIGHTS, REFERENCE DATASHEET TA10836-1. APPLICABLE LIGHT SOURCE SELECTION OPTIONS: **NB, N9, ND, N6**.
3. REFERENCE DATASHEET TD10811-100 FOR OPTIONAL MOUNTING BRACKETS.

SPECIFICATIONS	
MAX. TANK SIZE	25' [7.6m] Ø X 70' [21.3m] DP.
BULB	80W HALOGEN
INPUT VOLTAGE	21-28V AC 50/60 Hz FROM CANTY OR CUSTOMER PSU
TIMER	AVAILABLE IN CERTAIN PSU MODELS ONLY
THERMAL CUT-OUT	YES - REDUNDANT FOR INCREASED SAFETY
INFRA-RED FILTER	YES - REMOVES ALL HEAT. NO PRODUCT BAKE-ON
ENVIRONMENTAL RATINGS	NEMA 4, IP66, EXPLOSION PROOF, FLAME PROOF

NOTICE
THIS DRAWING IS THE PROPERTY OF J.M. CANTY AND MUST BE RETURNED WITHOUT REPRODUCTION OR DUPLICATION. AT ANY TIME UPON REQUEST, BUT IN ANY EVENT AS SOON AS IT HAS SERVED THE PURPOSE FOR WHICH IT WAS FURNISHED. WHILE IN THE POSSESSION OF THE RECIPIENT, IT MUST BE PROPERLY SAFEGUARDED AGAINST DISCLOSURE TO ANYONE EXCEPT THOSE EMPLOYEES WHO REQUIRE IT FOR WORK OR JOB. THE RECIPIENT MUST KEEP CONFIDENTIAL AND REQUIRE HIS (HER) EMPLOYEES TO KEEP CONFIDENTIAL THE INFORMATION CONTAINED HERE ON.

IMPORTANT
FOR THE REQUIRED MANUFACTURING SPECIFICATIONS SEE DOCUMENT #A4955

NOTE: FAILURE TO RECEIVE DOCUMENT DOES NOT WAIVE VENDOR RESPONSIBILITY

DRAWN BY JD	DATE 5/4/2007
APPROVAL JD	DATE 6/11/2007
ENGINEERING ANALYSIS CURRENT	DATE
MFG. APPROVAL PENDING	DATE
QUALITY CONTROL I.O.A.	DATE

J.M. CANTY INC.
6100 DONNER RD.
BUFFALO, N.Y. 14094
U.S.A.

CANTY

J.M. CANTY INTL. LTD.
BALLYCOOLIN BUS. PK.
BLANCHARDSTOWN
DUBLIN 15, IRELAND

WWW.JMCANTY.COM

TITLE HYL 80 LIGHT, EXTERNAL TRANSFORMER/PSU, FIBER OPTIC BUNDLE SPECIFICATION	
SIZE REVISION C 1	FILE NAME TC10607-140
SCALE AS NOTED	SHEET 1 OF 1