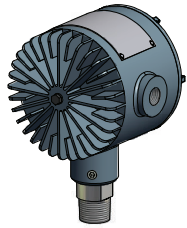
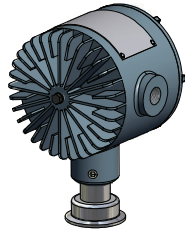


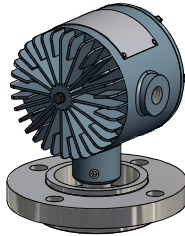
TYPICAL PROCESS CONNECTIONS



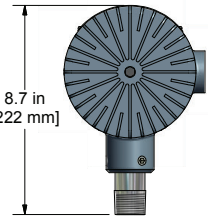
1" NPT THREADED
PROCESS CONNECTION



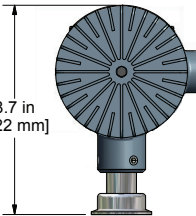
TRI-CLAMP® OR
NA-CONNECT® SANITARY
CONNECTION



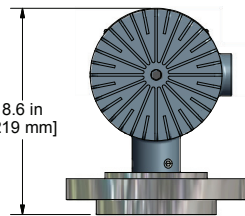
FLANGED
CONNECTION



8.7 in
[222 mm]

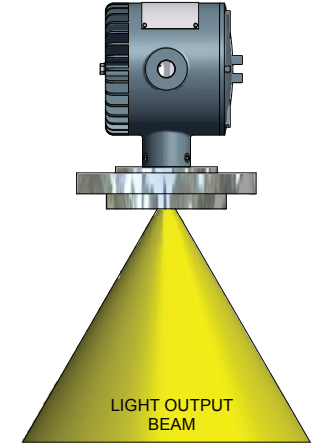
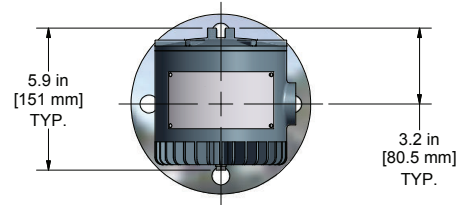


8.7 in
[222 mm]

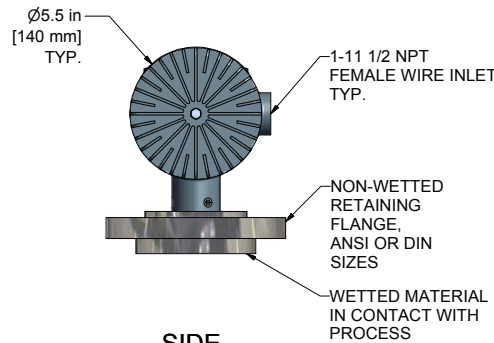


8.6 in
[219 mm]

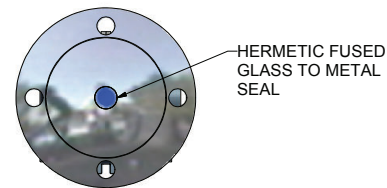
TYPICAL DIMENSIONS (FLANGED MODEL SHOWN)



LIGHT OUTPUT
BEAM



SIDE
SCALE 1 / 4



NOTES:

1. FOR ANODIZED ALUMINUM LIGHTS, REFERENCE DATASHEET TA10620-1. APPLICABLE LIGHT SOURCE SELECTION OPTIONS: **H4, E4, E5, EG.**
2. FOR NI. PLATED ALUMINUM LIGHTS, REFERENCE DATASHEET TA10835-1. APPLICABLE LIGHT SOURCE SELECTION OPTIONS: **N4, N7, N5, NG.**
3. ALL REGISTERED TRADEMARKS ARE PROPERTY OF THEIR RESPECTIVE OWNERS.

NOTICE
THIS DRAWING IS THE PROPERTY OF J.M. CANTY AND MUST BE RETURNED WITHOUT REPRODUCTION OR DUPLICATION, AT ANY TIME UPON REQUEST, BUT IN ANY EVENT AS SOON AS IT HAS SERVED THE PURPOSE FOR WHICH IT WAS FURNISHED, WHILE IN THE POSSESSION OF THE RECIPIENT, IT MUST BE PROPERLY SAFEGUARDED AGAINST DISCLOSURE TO ANYONE EXCEPT THOSE EMPLOYEES WHO REQUIRE IT FOR WORK OR JOB. THE RECIPIENT MUST KEEP CONFIDENTIAL AND REQUIRE HIS (HER) EMPLOYEES TO KEEP CONFIDENTIAL THE INFORMATION CONTAINED HERE ON.

IMPORTANT
FOR THE REQUIRED
MANUFACTURING
SPECIFICATIONS SEE
DOCUMENT #A4955

NOTE: FAILURE TO
RECEIVE DOCUMENT
DOES NOT WAIVE
VENDOR
RESPONSIBILITY

DRAWN BY JD	DATE 4/26/2007
APPROVAL JD	DATE 6/11/2007
ENGINEERING ANALYSIS CURRENT	DATE
MFG. APPROVAL PENDING	DATE
QUALITY CONTROL I.O.A.	DATE

J.M. CANTY INC. 6100 DONNER RD. BUFFALO, N.Y. 14094 U.S.A.		CANTY WWW.JMCANTY.COM	J.M. CANTY INTL. LTD. BALLYCOOLIN BUS. PK. BLANCHARDSTOWN DUBLIN 15, IRELAND
TITLE HYL 50 LIGHT, EXTERNAL TRANSFORMER/PSU, DIRECT MOUNT SPECIFICATION			
SIZE / REVISION C 0	FILE NAME TC10620-140		SCALE AS NOTED
			SHEET 1 OF 1

SPECIFICATIONS	
MAX. TANK SIZE	8' [2.4m] Ø X 12' [3.7m] DP.
BULB	50W HALOGEN
INPUT VOLTAGE	12V AC 50/60 Hz FROM CANTY OR CUSTOMER PSU
TIMER	AVAILABLE IN CERTAIN PSU MODELS ONLY
THERMAL CUT-OUT	YES - REDUNDANT FOR INCREASED SAFETY
INFRA-RED FILTER	YES - REMOVES ALL HEAT. NO PRODUCT BAKE-ON
ENVIRONMENTAL RATINGS	NEMA 4, IP66, EXPLOSION PROOF, FLAME PROOF