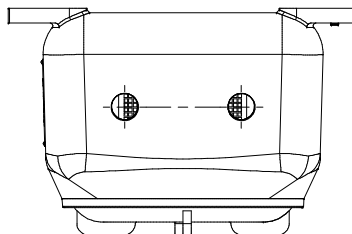


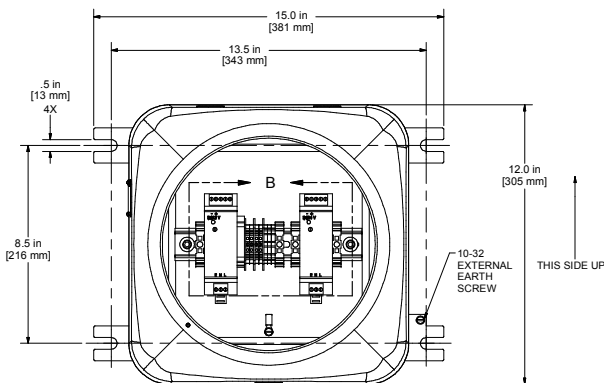
SCALE 1 / 4



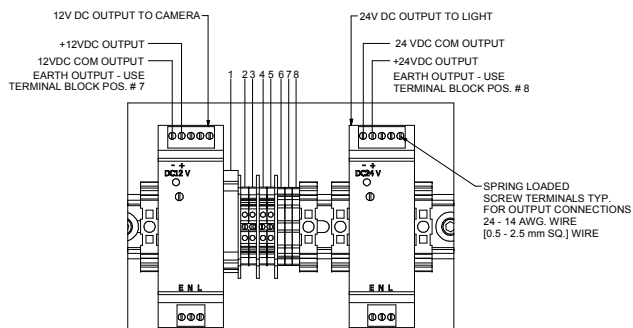
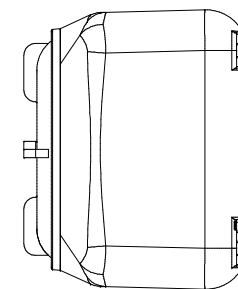
SPECIFICATIONS	
P/N	VC11285-200
MODEL	POWER SUPPLY, EXP. REGULATED 12V DC/24VDC
INPUT SPECIFICATIONS	100-240V AC, 50/60 Hz, 250W SOURCE
OUTPUT SPECIFICATIONS	12 VDC, 1A MAX.(CAMERA), 24VDC 3.75A MAX. (LIGHT)
FEATURES	
- EXPLOSION PROOF CLASS I, DIV. 1, GROUPS B, C & D, NEMA TYPE 4X.	
- MAX. RECOMMENDED OUTPUT CABLE DISTANCE FOR ALL CONNECTIONS IS 100 FT. [30.5 m] WITH 16 AWG / 1.5mm <sup>2</sup> MIN. SHIELDED WIRE.	

TERMINAL BLOCK POSITION	FUNCTION
1	LIVE INPUT (FUSED)
2	RESERVED
3	RESERVED
4	NEUTRAL INPUT
5	RESERVED
6	EARTH INPUT
7	EARTH OUTPUT CAMERA
8	EARTH OUTPUT LIGHT

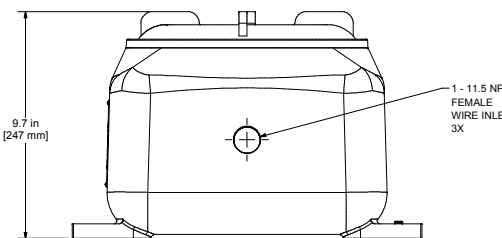
ALL REMAINING TERMINAL BLOCK POSITIONS ARE PREWIRED BY CANTY. NO AVAILABLE CONNECTIONS.



FRONT VIEW - COVER REMOVED  
SCALE 3 / 8



DETAIL B  
SCALE 3 / 4



BOTTOM  
SCALE 3 / 8

- NOTES:
- ENCLOSURE MUST BE MOUNTED ON A PROPERLY SUPPORTED VERTICAL STRUCTURE IN THE ORIENTATION SHOWN.
  - APPROXIMATE WEIGHT 48 LBS (20.9 KGS).
  - ALL INFORMATION IS SUBJECT TO CHANGE WITHOUT NOTICE.

<p><b>NOTICE</b></p> <p>THIS DRAWING IS THE PROPERTY OF J.M. CANTY AND MUST BE RETURNED WITHOUT REPRODUCTION OR DUPLICATION, AT ANY TIME UPON REQUEST, BUT IN ANY EVENT AS SOON AS IT HAS SERVED THE PURPOSE FOR WHICH IT WAS FURNISHED. WHILE IN THE POSSESSION OF THE RECIPIENT, IT MUST BE PROPERLY SAFEGUARDED AGAINST DISCLOSURE TO ANYONE EXCEPT THOSE EMPLOYEES WHO REQUIRE IT FOR WORK OR JOB. THE RECIPIENT MUST KEEP CONFIDENTIAL AND REQUIRE HIS (HER) EMPLOYEES TO KEEP CONFIDENTIAL THE INFORMATION CONTAINED HERE ON.</p>	<p><b>IMPORTANT</b></p> <p>FOR THE REQUIRED MANUFACTURING SPECIFICATIONS SEE DOCUMENT #A4955</p> <p>NOTE: FAILURE TO RECEIVE DOCUMENT DOES NOT WAIVE VENDOR RESPONSIBILITY</p>	DRAWN BY JD	DATE 7/22/2009	<p>J.M. CANTY INC. 6100 DONNER RD. BUFFALO, N.Y. 14294 U.S.A.</p> <p><b>CANTY</b> WWW.JMCANTY.COM</p>	<p>J.M. CANTY INTL. LTD. BALLYCOOLIN BUS. PK. BLANCHARDSTOWN DUBLIN 15, IRELAND</p>
		APPROVAL JD	DATE 9/30/2009		
		ENGINEERING ANALYSIS CURRENT	DATE		
		MFG. APPROVAL PENDING	DATE		
QUALITY CONTROL I.O.A.	DATE	TITLE POWER SUPPLY SPEC., VC11285-200 POWER SUPPLY, EXP. REGULATED 12V DC/24VDC OUTPUT	FILE NAME TC11285-240	SCALE AS NOTED	SHEET 1 OF 1