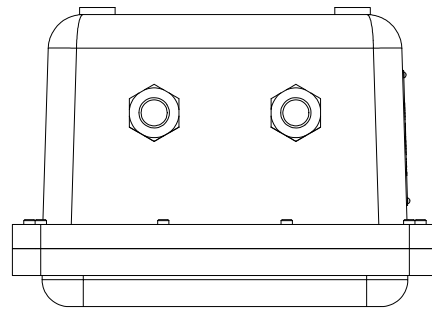


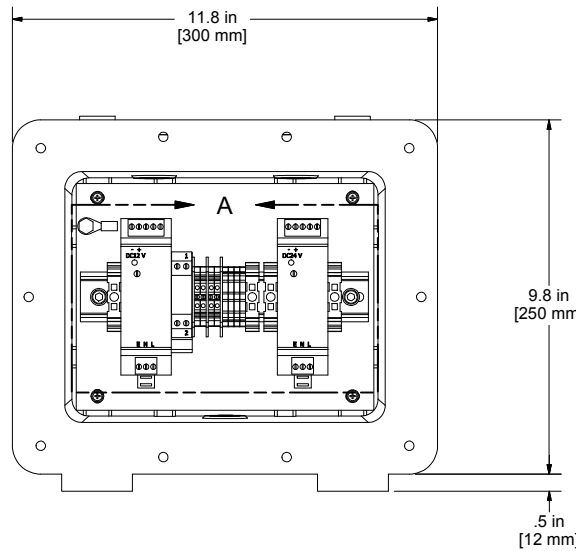
SCALE 1 / 4

TERMINAL BLOCK WIRING	
TERMINAL BLOCK POSITION	FUNCTION
1	LIVE INPUT (FUSED)
2	RESERVED
3	RESERVED
4	NEUTRAL INPUT
5	RESERVED
6	EARTH INPUT
7	EARTH OUTPUT CAMERA
8	EARTH OUTPUT LIGHT
9	RESERVED

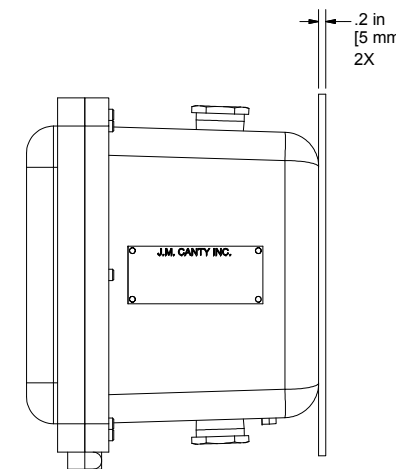
ALL REMAINING TERMINAL BLOCK POSITIONS ARE PREWIRED BY CANTY. NO AVAILABLE CONNECTIONS.



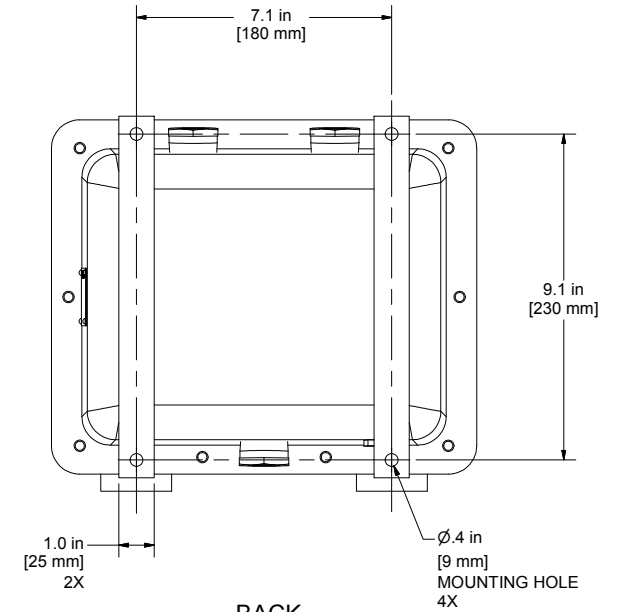
TOP
SCALE 3 / 8



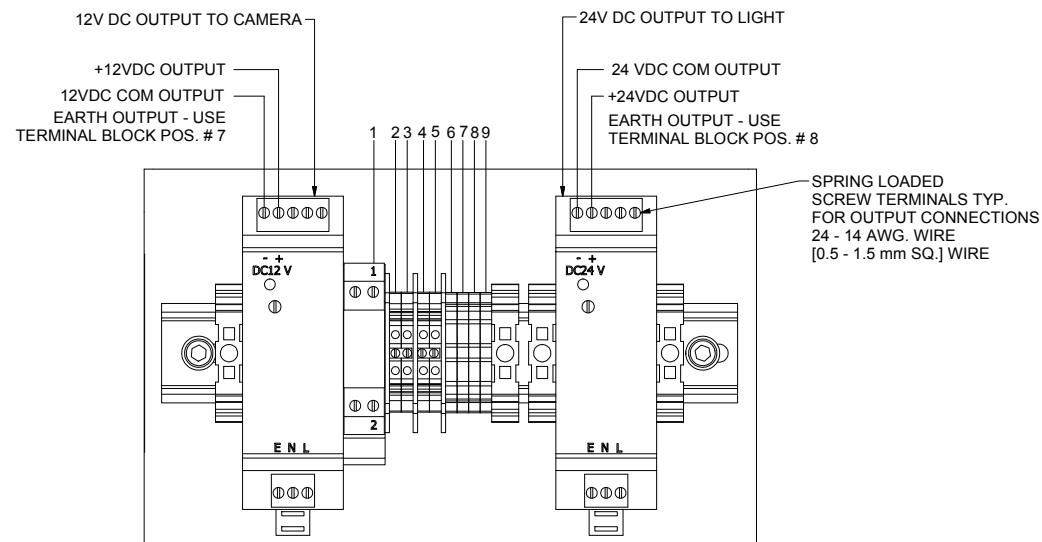
FRONT - COVER REMOVED
SCALE 3 / 8



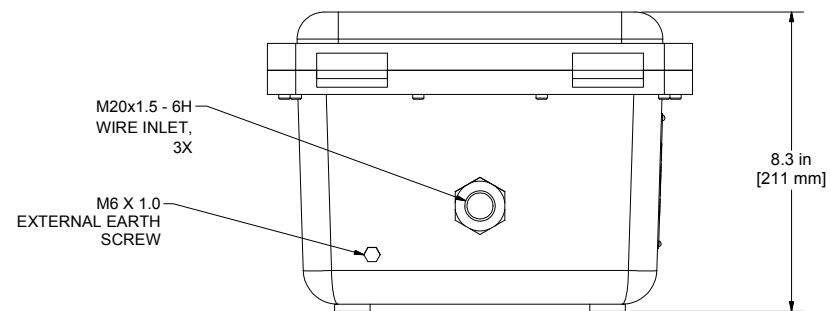
RIGHT SIDE
SCALE 3 / 8



BACK
SCALE 3 / 8



DETAIL A
SCALE 3 / 4



BOTTOM
SCALE 3 / 8

SPECIFICATIONS	
P/N	VC11294-100
MODEL	POWER SUPPLY, FP, REGULATED 12V DC/24VDC
INPUT SPECIFICATIONS	100-240V AC, 50/60 Hz, 1A
OUTPUT SPECIFICATIONS	12 VDC, 1A MAX.(CAMERA), 24VDC 3.75A MAX. (LIGHT)
FEATURES	
- FLAME PROOF RATED, ATEX EEx d IIB+H2 T5, IP65.	
- MAX. RECOMMENDED OUTPUT CABLE DISTANCE FOR ALL CONNECTIONS IS 100 FT. [30.5 m] WITH 16 AWG / 1.5mm ² MIN. SHIELDED WIRE.	

- NOTES:
- ENCLOSURE MUST BE MOUNTED ON A PROPERLY SUPPORTED VERTICAL STRUCTURE IN THE ORIENTATION SHOWN.
 - APPROXIMATE WEIGHT 33 LBS [15 KGS].
 - ALL INFORMATION IS SUBJECT TO CHANGE WITHOUT NOTICE.

<p>NOTICE</p> <p>THIS DRAWING IS THE PROPERTY OF J.M. CANTY AND MUST BE RETURNED WITHOUT REPRODUCTION OR DUPLICATION, AT ANY TIME UPON REQUEST, BUT IN ANY EVENT AS SOON AS IT HAS SERVED THE PURPOSE FOR WHICH IT WAS FURNISHED. WHILE IN THE POSSESSION OF THE RECIPIENT, IT MUST BE PROPERLY SAFEGUARDED AGAINST DISCLOSURE TO ANYONE EXCEPT THOSE EMPLOYEES WHO REQUIRE IT FOR WORK OR JOB. THE RECIPIENT MUST KEEP CONFIDENTIAL AND REQUIRE HIS (HER) EMPLOYEES TO KEEP CONFIDENTIAL THE INFORMATION CONTAINED HERE ON.</p>	<p>IMPORTANT</p> <p>FOR THE REQUIRED MANUFACTURING SPECIFICATIONS SEE DOCUMENT #A4955</p>	<p>DRAWN BY</p> <p>JD</p>	<p>DATE</p> <p>1/6/2010</p>	<p>J.M. CANTY INC.</p> <p>6100 DONNER RD.</p> <p>BUFFALO, N.Y. 14094</p> <p>U.S.A.</p>	<p>CANTY</p> <p>WWW.JMCANTY.COM</p>	<p>J.M. CANTY INTL. LTD.</p> <p>BALLYCOOLIN BUS. PK.</p> <p>BLANCHARDSTOWN</p> <p>DUBLIN 15, IRELAND</p>	
	<p>NOTE: FAILURE TO RECEIVE DOCUMENT DOES NOT WAIVE VENDOR RESPONSIBILITY</p>	<p>APPROVAL</p> <p>JD</p>	<p>DATE</p> <p>1/6/2010</p>				
	<p>ENGINEERING ANALYSIS</p> <p>CURRENT</p>	<p>DATE</p>	<p>DATE</p>	<p>DATE</p>	<p>TITLE</p> <p>POWER SUPPLY SPEC., VC11294-100 POWER SUPPLY, FP, REGULATED 12V DC/24VDC OUTPUT</p>	<p>FILE NAME</p> <p>TC11294-140</p>	<p>SCALE</p> <p>AS NOTED</p>
	<p>MFG. APPROVAL</p> <p>PENDING</p>	<p>DATE</p>	<p>DATE</p>	<p>DATE</p>	<p>SIZE / REVISION</p> <p>D 3</p>	<p>SHEET 1 OF 1</p>	