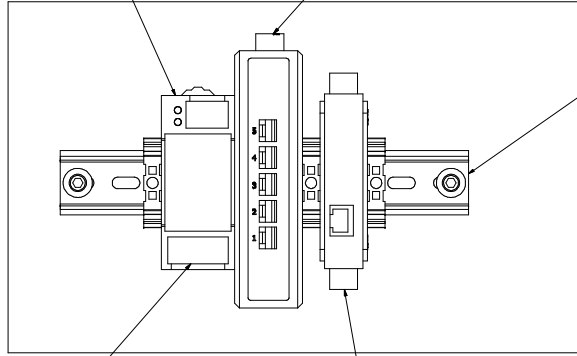


SCALE 1 / 4

24V DC OUT PSU PRE-WIRED TO POWER ETHERNET SWITCH AND CURRENT LOOP

GIGABIT ETHERNET SWITCH WITH RJ-45 CONNECTIONS

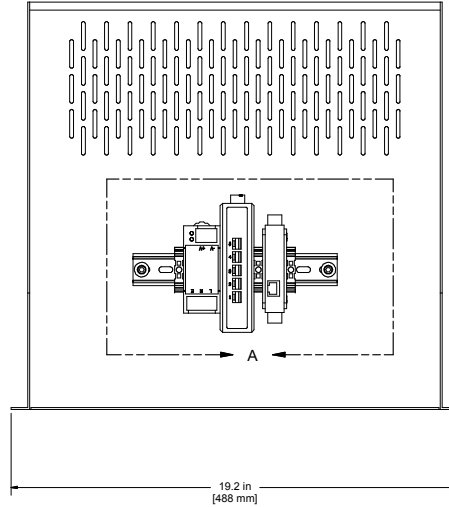
35mm DIN RAIL



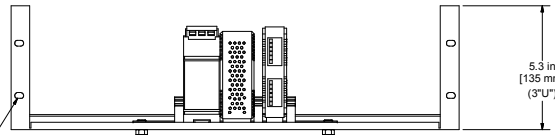
FINGER-SAFE SCREW TERMINAL CONNECTIONS FOR MAINS INPUT. 14 AWG / 2 mm SQ. WIRE MAX.

4-20mA ANALOG OUTPUT MODULE WITH SPRING LOADED SCREW TERMINAL OUTPUT CONNECTIONS. 14 AWG / 2 mm SQ. WIRE MAX.

DETAIL A SCALE 3 / 4



19.2 in [488 mm]

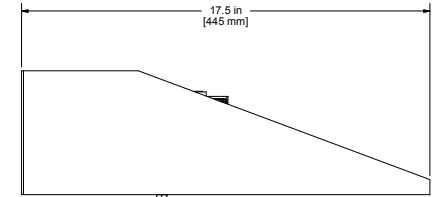


5.3 in [135 mm]

FRONT SCALE 3 / 8

19" EIA STANDARD MOUNT

SPECIFICATIONS	
P/N	ETH1101, ETH1111, ETH1101-1, ETH1111-1
MODEL	4-20 mA CURRENT LOOP ANALOG OUTPUT DEVICES
INPUT SPECIFICATIONS	100-240V AC, 50/60 Hz, 50W ; CAT6 CONNECTIVITY
OUTPUT SPECIFICATIONS	4-20mA CURRENT LOOP, 4 OR 6 CHANNEL OPTIONS
FEATURES	
- 19" EIA RACK MOUNT STEEL SHELF.	
- SELF POWERED CURRENT LOOPS. NO CHANNEL TO CHANNEL ISOLATION.	
- 0 - 625 OHM LOAD.	
- USE WITH SHIELDED OUTPUT CABLE WITH GROUNDED/EARTHED SHIELD.	



17.5 in [445 mm]

NOTES:

1. CUSTOMER MUST CONNECT TO NEW OR EXISTING ETHERNET NETWORK. SOFTWARE INCLUDED.
2. ALLOW APPROXIMATELY 1" ABOVE SHELF FOR WIRE CLEARANCE.
3. APPROXIMATE WEIGHT 12 LBS (5.4 KGS).
4. ALL INFORMATION IS SUBJECT TO CHANGE WITHOUT NOTICE.

NOTICE
THIS DRAWING IS THE PROPERTY OF J.M. CANTY AND MUST BE RETURNED WITHOUT REPRODUCTION OR DUPLICATION, AT ANY TIME UPON REQUEST, BUT IN ANY EVENT AS SOON AS IT HAS SERVED THE PURPOSE FOR WHICH IT WAS FURNISHED. WHILE IN THE POSSESSION OF THE RECIPIENT, IT MUST BE PROPERLY SAFEGUARDED AGAINST DISCLOSURE TO ANYONE EXCEPT THOSE EMPLOYEES WHO REQUIRE IT FOR WORK OR JOB. THE RECIPIENT MUST KEEP CONFIDENTIAL AND REQUIRE HIS (HER) EMPLOYEES TO KEEP CONFIDENTIAL THE INFORMATION CONTAINED HERE ON.

IMPORTANT FOR THE REQUIRED MANUFACTURING SPECIFICATIONS SEE DOCUMENT #A4955
NOTE: FAILURE TO RECEIVE DOCUMENT DOES NOT WAIVE VENDOR RESPONSIBILITY

DRAWN BY	DATE	J.M. CANTY INC.	CANTY	J.M. CANTY INTL. LTD. BALLYCOOLIN BUS. PK. BLANCHARDSTOWN DUBLIN 15, IRELAND
JD	11/5/2009	6100 DONNER RD. BUFFALO, N.Y. 14294 U.S.A.		
APPROVAL	DATE	TITLE		
JD	11/5/2009	CURRENT LOOP OUTPUT SPECIFICATION, RACK MT. ETH SERIES ANALOG OUTPUTS		
ENGINEERING ANALYSIS	DATE	SIZE	REVISION	FILE NAME
CURRENT		D	1	TC11311-200
MFG. APPROVAL	DATE	SCALE	AS NOTED	
PENDING				
QUALITY CONTROL	DATE	SHEET 1 OF 1		
I.O.A.				