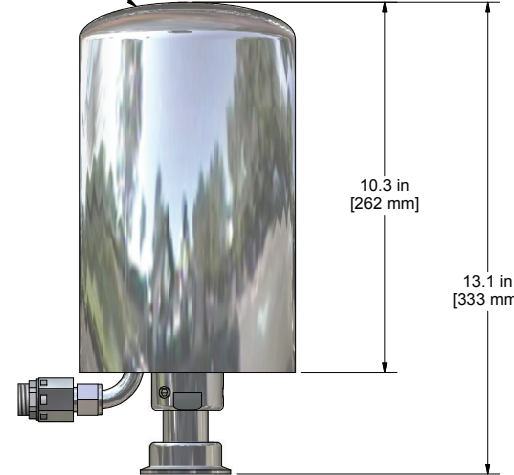
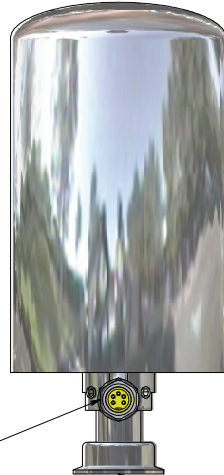


SS SHROUD OVER ANODIZED ALUMINUM LIGHT ENCLOSURE



5-PIN POWER CONNECTOR, MATING CONNECTOR INCLUDED. NOT SHOWN FOR SIMPLIFICATION.

SIDE

TRI-CLAMP® OR NA-CONNECT® SANITARY CONNECTION

NOTES:

1. REFERENCE DATASHEET TA9221-1. APPLICABLE LIGHT SOURCE SELECTION OPTION: **HK**.
2. ALL REGISTERED TRADEMARKS ARE PROPERTY OF THEIR RESPECTIVE OWNERS.

NOTICE
THIS DRAWING IS THE PROPERTY OF J.M. CANTY AND MUST BE RETURNED WITHOUT REPRODUCTION OR DUPLICATION, AT ANY TIME UPON REQUEST, BUT IN ANY EVENT AS SOON AS IT HAS SERVED THE PURPOSE FOR WHICH IT WAS FURNISHED, WHILE IN THE POSSESSION OF THE RECIPIENT, IT MUST BE PROPERLY SAFEGUARDED AGAINST DISCLOSURE TO ANYONE EXCEPT THOSE EMPLOYEES WHO REQUIRE IT FOR WORK OR JOB. THE RECIPIENT MUST KEEP CONFIDENTIAL AND REQUIRE HIS (HER) EMPLOYEES TO KEEP CONFIDENTIAL THE INFORMATION CONTAINED HERE ON.

IMPORTANT
FOR THE REQUIRED MANUFACTURING SPECIFICATIONS SEE DOCUMENT #A4955

NOTE: FAILURE TO RECEIVE DOCUMENT DOES NOT WAIVE VENDOR RESPONSIBILITY

DRAWN BY JD	DATE 5/11/2007
APPROVAL JD	DATE 6/11/2007
ENGINEERING ANALYSIS CURRENT	DATE
MFG. APPROVAL PENDING	DATE
QUALITY CONTROL I.O.A.	DATE

J.M. CANTY INC. 6100 DONNER RD. BUFFALO, N.Y. 14094 U.S.A.		CANTY WWW.JMCANTY.COM	J.M. CANTY INTL. LTD. BALLYCOOLIN BUS. PK. BLANCHARDSTOWN DUBLIN 15, IRELAND
TITLE HYL 82 LIGHT, INTEGRAL TRANSFORMER SPECIFICATION			
SIZE / REVISION C 0	FILE NAME TC9221-120	SCALE AS NOTED	
		SHEET 1 OF 1	

SPECIFICATIONS	
MAX. TANK SIZE	25' [7.6m] Ø X 70' [21.3m] DP.
BULB	80W HALOGEN
INPUT VOLTAGE	120V AC 50/60 Hz
TIMER	YES - MAXIMIZES BULB LIFE
THERMAL CUT-OUT	YES
INFRA-RED FILTER	YES - REMOVES ALL HEAT. NO PRODUCT BAKE-ON
ENVIRONMENTAL RATINGS	NEMA 4, IP66