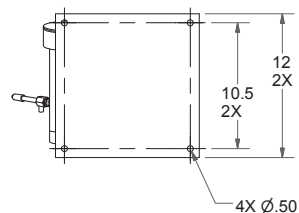
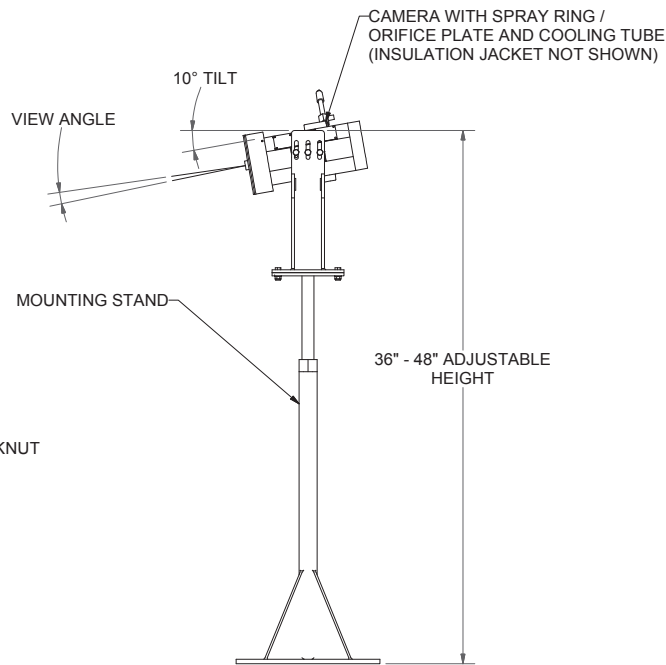


FRONT  
SCALE 1 / 8



**NOTES:**

- CUSTOMER MUST SUPPLY SUITABLE MOUNTING STRUCTURE SUCH AS I-BEAM FOR STAND BASE. CATWALK IS NOT SUITABLE FOR MOUNTING. MOUNTING STRUCTURE SHOULD BE POSITIONED SUCH THAT CAMERA VIEWS DOWN APPROXIMATELY 10 DEGREES FROM HORIZONTAL TO VIEW LEVEL OF GLASS THRU REFRACTORY HOLE. APPROXIMATE DISTANCE FROM FACE OF CAMERA TO SURFACE OF MOLTEN GLASS SHOULD BE 42" TO VIEW REFLECTION OF BURNER BLOCK.
- POWER REQ: 120V AC, 1A SOURCE. CANTY TO SUPPLY STEP DOWN TRANSFORMER, 12V DC, FOR CAMERA.
- ALL WIRING, TERMINATIONS TO BE SUPPLIED BY CUSTOMER IN ACCORDANCE WITH APPLICABLE N.E.C. REQUIREMENTS. COAXIAL CABLE SUPPLIED SHOULD BE RG 59/U, RG 6/U OR RG 11/U, 75 OHM, SUITABLE FOR CCTV APPLICATIONS.
- CUSTOMER MUST SUPPLY DRY COMPRESSED AIR WITH 5 MICRON FILTER FOR COOLING TUBE. REFERENCE DATA SHEET 91A3117 FOR ADDITIONAL DETAILS.

**NOTICE**  
THIS DRAWING IS THE PROPERTY OF J.M. CANTY AND MUST BE RETURNED WITHOUT REPRODUCTION OR DUPLICATION, AT ANY TIME UPON REQUEST, BUT IN ANY EVENT AS SOON AS IT HAS SERVED THE PURPOSE FOR WHICH IT WAS FURNISHED, WHILE IN THE POSSESSION OF THE RECIPIENT, IT MUST BE PROPERLY SAFEGUARDED AGAINST DISCLOSURE TO ANYONE EXCEPT THOSE EMPLOYEES WHO REQUIRE IT FOR WORK OR JOB. THE RECIPIENT MUST KEEP CONFIDENTIAL AND REQUIRE HIS (HER) EMPLOYEES TO KEEP CONFIDENTIAL THE INFORMATION CONTAINED HERE ON.

**IMPORTANT**  
FOR THE REQUIRED MANUFACTURING SPECIFICATIONS SEE DOCUMENT #A4955

NOTE: FAILURE TO RECEIVE DOCUMENT DOES NOT WAIVE VENDOR RESPONSIBILITY

DRAWN BY JD	DATE 29-Oct-03
APPROVAL BCA	DATE 04-Nov-03
ENGINEERING ANALYSIS CURRENT	DATE
MFG. APPROVAL PENDING	DATE
QUALITY CONTROL I.O.A.	DATE

J.M. CANTY INC. 6100 DONNER RD. BUFFALO, N.Y. 14094 U.S.A.
TITLE HIGH TEMP. VISION SYSTEM WITH MOUNTING STAND DIMENSIONAL DRAWING
SIZE / REVISION C / 0
SCALE AS NOTED

**CANTY**  
WWW.JMCANTY.COM

J.M. CANTY INTL. LTD.  
BALLYCOOLIN BUS. PK.  
BLANCHARDSTOWN  
DUBLIN 15, IRELAND

FILE NAME VC10047-200	SHEET 1 OF 1
--------------------------	--------------