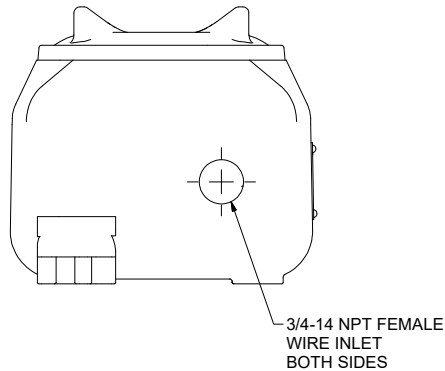
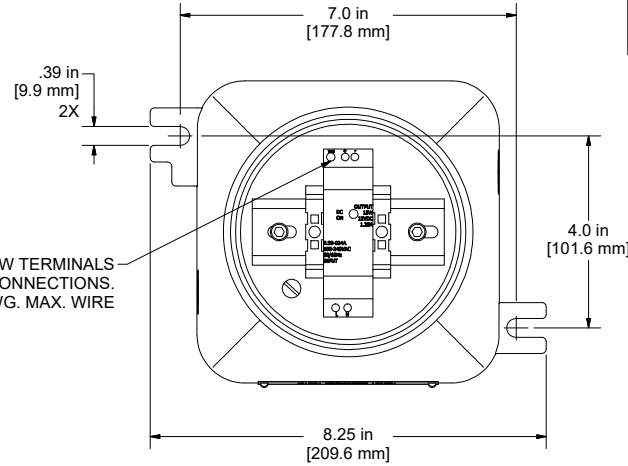
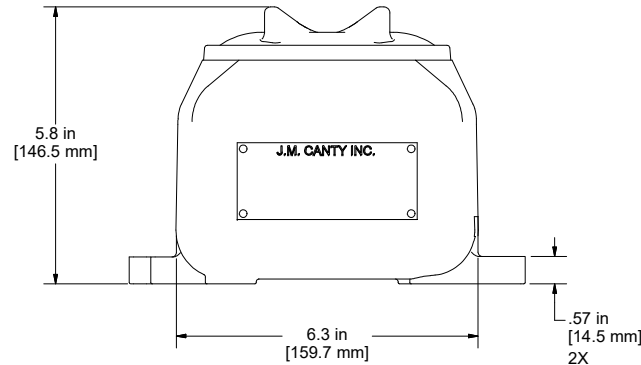


ISOMETRIC
SCALE .5 : 1

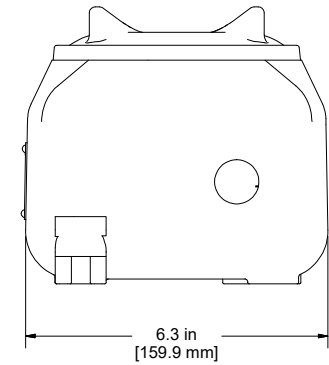
SPRING LOADED SCREW TERMINALS
FOR INPUT, OUTPUT CONNECTIONS.
16 AWG. MAX. WIRE



3/4-14 NPT FEMALE
WIRE INLET
BOTH SIDES



FRONT
SCALE .5 : 1



SPECIFICATIONS	
P/N	VC9440-300
MODEL	CAMERA PSU, EXP, NEMA 4 / 7, 120V AC IN, 12V DC OUT
INPUT SPECIFICATIONS	100-240V AC, 50/60 Hz, .45 A
OUTPUT SPECIFICATIONS	12 VDC, 1A MAX.
FEATURES	
- EXPLOSION PROOF CLASS I, DIV. 1, GROUPS B, C & D.	
- NEMA TYPE 4.	
- MAX. RECOMMENDED DISTANCE BETWEEN PSU AND CAMERA IS 100 FT. [30.5 m] WITH 16 AWG / 1.5mm ² SHIELDED WIRE.	

NOTES:

- INPUT CONNECTIONS:**
L = LIVE (HOT) AC INPUT
N = NEUTRAL (COM) AC INPUT
G = EARTH GROUND
- OUTPUT CONNECTIONS:**
V+ = +12V DC
V- = 12V DC COM.

NOTICE
THIS DRAWING IS THE PROPERTY OF J.M. CANTY AND MUST BE RETURNED WITHOUT REPRODUCTION OR DUPLICATION, AT ANY TIME UPON REQUEST, BUT IN ANY EVENT AS SOON AS IT HAS SERVED THE PURPOSE FOR WHICH IT WAS FURNISHED. WHILE IN THE POSSESSION OF THE RECIPIENT, IT MUST BE PROPERLY SAFEGUARDED AGAINST DISCLOSURE TO ANYONE EXCEPT THOSE EMPLOYEES WHO REQUIRE IT FOR WORK OR JOB. THE RECIPIENT MUST KEEP CONFIDENTIAL AND REQUIRE HIS (HER) EMPLOYEES TO KEEP CONFIDENTIAL THE INFORMATION CONTAINED HERE ON.

IMPORTANT
FOR THE REQUIRED
MANUFACTURING
SPECIFICATIONS SEE
DOCUMENT #A4955

**NOTE: FAILURE TO
RECEIVE DOCUMENT
DOES NOT WAIVE
VENDOR
RESPONSIBILITY**

DRAWN BY BLC	DATE 05-Aug-15
APPROVAL BLC	DATE 05-Aug-15
ENGINEERING ANALYSIS CURRENT	DATE 05-May-14
MFG. APPROVAL PENDING	DATE
QUALITY CONTROL VJS	DATE

J.M. CANTY INC.
6100 DONNER RD.
BUFFALO, N.Y. 14094
U.S.A.

CANTY
WWW.JMCANTY.COM

J.M. CANTY INTL. LTD.
BALLYCOOLIN BUS. PK.
BLANCHARDSTOWN
DUBLIN 15, IRELAND

TITLE P.S.U. SPECIFICATIONS, P/N VC9440-300, CAMERA PSU, EXP / NEMA 7, 120VAC IN, 12VDC OUT	
REVISION 1	FILE NAME VC9440-340
SCALE AS NOTED	SIZE C
SHEET 1 OF 1	