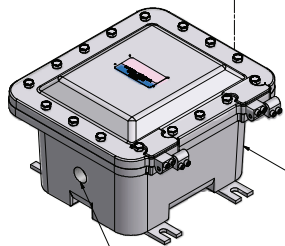


TYPICAL VSPTE PAN & TILT WITH CAMERA SYSTEM. REFERENCE DATASHEET TA10844-1.

WALL MOUNT BRACKET SUPPLIED WITH VSPTE PAN & TILT SYSTEM

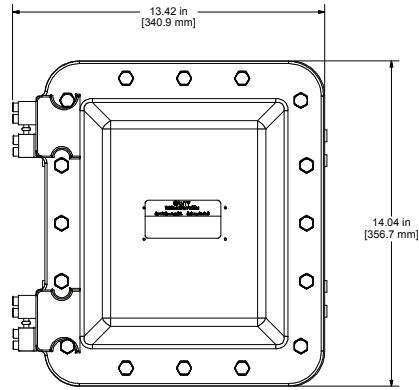
1 - 1 1/2 NPT FEMALE WIRE INLET

20 FT. OF 18 AWG, 15 CONDUCTOR CONTROL WIRE AND CAT6 ETHERNET CABLE SUPPLIED. TERMINATE INSIDE PTZ-3000 CONTROL MODULE.

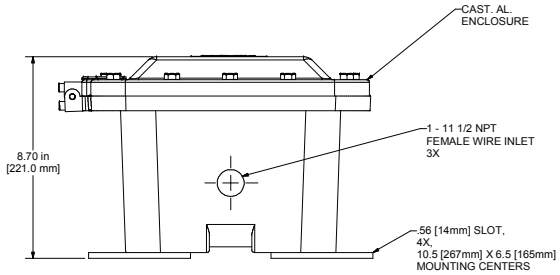
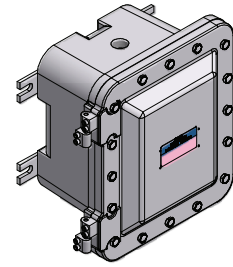


PTZ-3000 CONTROL MODULE MOUNTED AT BASE OF CUSTOMER'S # VSPTE PAN & TILT MOUNTING STRUCTURE. REF. DATASHEET TA9645-1. INCLUDED WITH VSPTE SERIES PAN & TILT

TERMINAL BLOCK CONNECTIONS INSIDE ENCLOSURE FOR 120V AC POWER INPUT AND RJ-45 JACK TO CUSTOMER'S ETHERNET NETWORK FOR VIEWING AND CONTROL



FRONT - PTZ-3000 SCALE 3 / 8



- NOTES:**
1. PACKAGES INCLUDE VSPTE SERIES PAN & TILT, ETHERNET CAMERA, PAN & TILT WALL MOUNT BRACKET AND PTZ-3000 CONTROL MODULE AS SHOWN.
 2. VSPTE PAN & TILT AND PTZ-3000 CONTROL MODULE ARE RATED FOR USE IN CLASS I, DIV. 1, GROUPS B,C AND D, CLASS II, DIV. 1, GROUPS E, F & G, NEMA TYPE 4 LOCATIONS.
 3. PTZ-3000 APPROXIMATE WEIGHT : 50 LBS.
 4. PTZ-3000 MOUNTING CENTERS: .56 [14mm] SLOT, 4X, 10.5 [267mm] X 6.5 [165mm].
 5. POWER REQUIREMENTS : 120V AC, 50/60 Hz, 5A SOURCE

<p>NOTE: FAILURE TO RECEIVE DOCUMENT DOES NOT WAIVE VENDOR RESPONSIBILITY</p>	<p>IMPORTANT FOR THE REQUIRED MANUFACTURING SPECIFICATIONS SEE DOCUMENT #A4955</p>	<p>ENGINEERING ANALYSIS CURRENT</p>	<p>DATE 12/13/07</p>	<p>J.M. CANTY INC. 6100 DONNER RD. BUFFALO, N.Y. 14244 U.S.A.</p>	<p>CANTY</p>	<p>J.M. CANTY INTL. LTD. BALLYCOOLIN BUS. PK. BLANCHARDSTOWN DUBLIN 15, IRELAND</p>
	<p>NOTE: FAILURE TO RECEIVE DOCUMENT DOES NOT WAIVE VENDOR RESPONSIBILITY</p>	<p>ENGINEERING ANALYSIS PENDING</p>	<p>DATE 02/01/08</p>	<p>TITLE TYPICAL VSPTE EXPLOSION PROOF PAN & TILT WITH ETHERNET CONTROL PACKAGE</p>		
	<p>NOTE: FAILURE TO RECEIVE DOCUMENT DOES NOT WAIVE VENDOR RESPONSIBILITY</p>	<p>QUALITY CONTROL I.O.A.</p>	<p>DATE</p>	<p>SIZE REVISION D 0</p>	<p>FILE NAME VD10481-110</p>	<p>SHEET 1 OF 1</p>
	<p>NOTE: FAILURE TO RECEIVE DOCUMENT DOES NOT WAIVE VENDOR RESPONSIBILITY</p>	<p>QUALITY CONTROL I.O.A.</p>	<p>DATE</p>	<p>SCALE AS NOTED</p>	<p>SCALE AS NOTED</p>	<p>SHEET 1 OF 1</p>